

SWFO4XT - TRIM FLANGE / NON-IC RATED

APPLICATION

Versatile 4" Square aperture recessed LED wall wash with a wide range of lumens and control options.

FEATURES

Two-stage optical system for smooth light distribution and focus control. Quick change LED module with interchangeable optics for job site adjustment and fixture maintenance. Shallow plenum design. Tool-less driver and j-box access. Posi-lock trim retention torsion springs. See SWZ04 series for trimless plaster or wood ceiling.

TRIM FINISH

A variety of architectural powdercoat and anodized finishes are available.

Matte white flange is standard.

ELECTRONICS

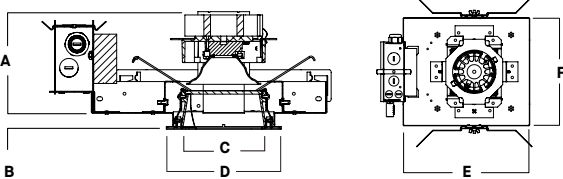
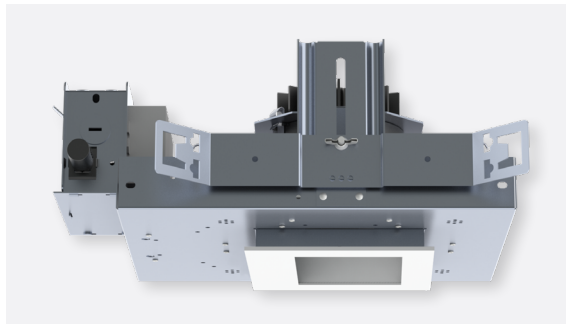
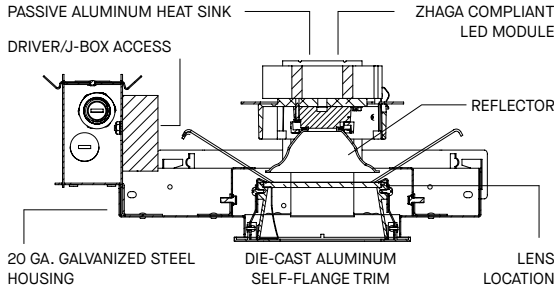
LED system features Xicato LED module with proprietary phosphor technology that provides consistent, stable color with CCT control of +/- 100K over life of the light engine. Base CRI is 83 with 2-step MacAdam Ellipse binning. High CRI is 98 with 1x2-step MacAdam Ellipse binning. Variety of electronic 120V/277V and dimming drivers.

CONSTRUCTION

Housing/frame constructed of #20 ga. galvanized steel to resist corrosion. Self-Flanged one piece trim die-cast high purity aluminum and finished to specification.

CODE COMPLIANCE

BAA Compliant. Non-IC rated. UL certified to meet US and Canadian standards. Suitable for dry or damp locations. Optional Wet location. Manufactured and tested to UL standards No. 1598/8750.



A	B	C	D	E	F
10L-20L: 4.9	.625	4.0	5.4	13.2	9.5
30L-40L: 5.7	15.2 mm	101.6 mm	137.2 mm	335.3 mm	241.3 mm

WATTAGE TO LUMENS UPDATE							
CURRENT PART NUMBER	EXAMPLE	PREVIOUS PART NUMBER	EXAMPLE	SOURCE LUMENS ¹	DELIVERED LUMENS ²	SYSTEM WATTS	LPW
SWFO4XT10L		SWFO4LEDX115W		1000	686	11.1	61.8
SWFO4XT13L		SWFO4LEDX120W		1300	924	15.0	61.6
SWFO4XT20L		SWFO4LEDX133W		2000	1421	23.7	60.0
SWFO4XT30L		SWFO4LEDX152W		3000	2132	34.6	61.6
SWFO4XT40L		N/A		4000	2736	39.9	68.6

SERIES	LUMENS ¹	CCT	OPTICS	DRIVER / DIMMING / VOLTAGE ³	OPTIONS ⁵	TRIM	FINISH	TRIM OPTIONS ¹²			
SWFO4XT	83 CRI		XW Extra Wide	E_ Electronic Driver DS10_ 10% 0-10V DO10_ 1% 0-10V DS2W1_ 1%, ELV/MLV, 120V DL3E_ 1% Lutron® EcoSystem®, Fade EL10_ 1%, eldoLED ED01_ 0.1%, eldoLED DALI_ DALI Control DMXS_ ⁴ DMX Standard Configuration DMXC_ ⁴ DMX Non-Standard Custom	1 120V 2 277V	BH27 ⁶ 27" Solid Bars H12 12" - 24" Expandable Bars HO6 6" - 12" Expandable Bars CB24 24" C-Channel Bars EM Integral Emergency Battery FS Fusing EB Black Housing CR Corrosion Resistant PR ⁷ Deep Ceiling Extension GR Goof Ring AMB Anti Microbial Finish	SW4FXT ⁸	MW ⁹ Matte White MB Matte Black SG ¹⁰ Semi-Diffuse HZ ¹⁰ Haze Full Diffuse PT Platinum Silver BZ Bronze CH Charcoal AS Anodic Sapphire AM Anodic Malachite SN Sun Gold CO Copper Metallic GH Graphite AMB Anti Microbial Finish CC ¹¹ Custom Color	SKX ¹³ Linear Wall Wash Lens SKW Linear Wall Wash Lens Wet Location		
	10L	1000 Lm								27K	2700K
	13L	1300 Lm								30K	3000K
	20L	2000 Lm								35K	3500K
	30L	3000 Lm								40K	4000K
	40L	4000 Lm									
	98 CRI										
	10L	1000 Lm								27HK	2700K
	13L	1300 Lm								30HK	3000K
	20L	2000 Lm								35HK	3500K
30L	3000 Lm	40HK	4000K								

EXAMPLE: SWFO4XT10L35KXWE1/H12/SW4FXTMWSKX

NOTES:

1 Nominal Source Lumens at Any CCT 2 Nominal Delivered Lumens 83 CRI at Any CCT with XW-MW-SKX 3 Contact Factory for Additional Options 4 Contact Factory 5 See Product Options Page for Details 6 Standard Bar Hangers 7 Contact Factory 8 "F" Indicates Self-Flange Trim, Matte White Standard 9 Standard Finish 10 Anodized Reflector with Matte White Flange 11 Contact Factory for Special Finishes 12 Contact Factory for Special Lenses/Louvers 13 Standard Lens

PROJECT: _____

QUANTITY: _____ TYPE: _____

