

## 4" SQUARE FLANGELESS DOWNLIGHT

### NON-IC CONSTRUCTION

Spectrum's Infinium 4" recessed square flangeless downlight series features a shallow plenum housing for general illumination.

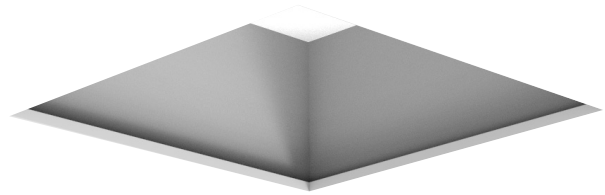
LUMENS AND WATTAGE CHART			
PART NUMBER	DELIVERED LUMENS <sup>1</sup>	SYSTEM WATTS	LPW
SGE4PZSQFX10L	687	6.6	104
SGE4PZSQFX15L	1067	10.5	102
SGE4PZSQFX20L	1448	14.4	101
SGE4PZSQFX30L	2172	21.9	99
SGE4PZSQFX40L	2933	30	98
SGE4PZSQFX50L	3732	38.3	97

<sup>1</sup> Nominal Delivered Lumens at 35K with MW SO

PROJECT: \_\_\_\_\_  
 QUANTITY: \_\_\_\_\_ TYPE: \_\_\_\_\_



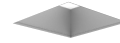
MATTE WHITE



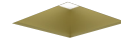
MATTE BLACK



PLATINUM SILVER



SUN GOLD

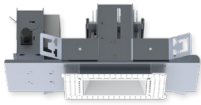


CUSTOM COLOR



### AVAILABLE HOUSING TYPE

SGE4PZSQFX - New Construction



### PRODUCT SELECTOR GUIDE

SERIES	LUMENS	CRI / CCT	DRIVER / VOLTAGE	EMERGENCY	BAR HANGERS	TRIM TYPE	FINISH	LENS	TRIM OPTIONS
SGE4PZSQFX						SD4NFX			
EXAMPLE									
SGE4PZSQFX	15L	35K	DX		BH27	SD4NFX	MW	SO	

### FIXTURE HOUSING SPECIFICATION

SERIES	LUMENS	CRI / CCT	DRIVER / VOLTAGE	EMERGENCY	BAR HANGERS	
SGE4PZSQFX	10L 700 Lm	90 Minimum	DX 1%, 0-10V, 120V/277V	EM Integral Emergency Battery	<b>BH27</b> 27" Solid Bars Standard Bar Hangers <b>H12</b> 12" - 24" Expandable Bars <b>CB24</b> 24" C-Channel Bars	
	15L 1050 Lm	27HK 2700K	DS2W1 1%, ELV/TRIAC, 120V	EMRM Remote Emergency Battery Pack Installer Responsible For EM Access		
	20L 1450 Lm	30HK 3000K				
	30L 2200 Lm	35HK 3500K				
	40L 2950 Lm	40HK 4000K				
	50L 3750 Lm	80 Minimum				
	Nominal Delivered Lumens at 35K with MW SO		30K 3000K			
		35K 3500K				
		40K 4000K				
		50K 5000K				

### TRIM SPECIFICATION

TRIM TYPE	FINISH	LENS	TRIM OPTIONS
SD4NFX	MW Matte White	SO Micro Prism Solite™ Lens	W Wet Location Gasket is Supplied with "W" Option
	MB Matte Black		GS Gasket
	PT Platinum Silver		
	CC Custom Color Consult Factory		
See Color Guide for Full Range of Color Options			

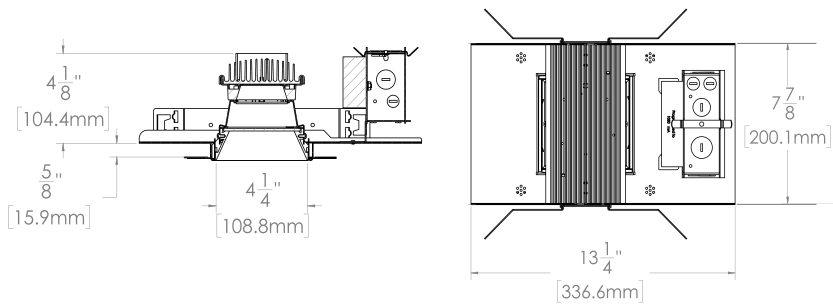
- Up to 3700 delivered lumens.
- Smooth light distribution for general illumination.
- Shallow plenum construction.
- Flangeless trim includes plaster mesh fitter.
- L70 at >60,000 Hours at 70% lumens maintenance.
- 5 year warranty on fixture and electronics.
- Sustainable fixture.
- Damp or wet location listed.
- Ease of maintenance.
- Posi-lock trim retention torsion springs.



## HOUSING DIMENSIONS

### SGE4PZSQFX - NEW CONSTRUCTION

Non-IC rated, thermally protected frame-in kit for new construction.



## TRIM DATA

### SD4NFX - DOWNLIGHT



## FEATURES

### APPLICATIONS

FX series 4" square flangeless downlights designed for general downlighting with smooth light distribution.

### FEATURES

Shallow plenum construction. Auto dim thermal protector for long term reliability. Zhaga international standard LED module for ease of maintenance and future replacement. Tool-less LED module, driver, and J-Box access. Multi-Bar mounting brackets, fit a variety of mounting bars. Posi-lock trim retention torsion springs. Integral 5/8" (.625) collar, works in ceiling up to 1" Deep. Intended for Non-IC new construction.

### FINISH

Variety of powdercoat finishes available. Plaster mesh fitter included.

### ELECTRONICS

LED system features high efficacy Philips LEDs. Standard CRI is >80. Drivers are overload and short circuit protected as well as thermally regulated. Sound rating A.

### CONSTRUCTION

Housing/frame constructed of #20 ga. galvanized steel to resist corrosion. Self-Flanged one piece trim die-cast high purity aluminum and finished to specification. Passive machined aluminum heatsink.

### CODE COMPLIANCE

BAA Compliant. Non-IC New Construction only. ETL certified to meet US and Canadian standards. Suitable for dry or damp locations. Optional Wet location listed trim. LM79/LM80 data available. Manufactured and tested to UL standards No. 1598.

### RATED LIFE

Rated for 60,000 Hours at 70% lumen maintenance. (L70)



# PHOTOMETRIC DATA - 4" SQUARE FLANGELESS DOWNLIGHT

SGE4SQLEDFX 50L 35K XX CA0244FX MW WF SO

CANDLEPOWER CURVE TEST SP-01220	INTENSITY CANDELA 0° AZIMUTH	ZONAL LUMENS	SINGLE UNIT: PERFORMANCE DIRECT FOOTCANDLES BASED ON DOWNLIGHT ONLY	MULTIPLE UNITS: PERFORMANCE 80/50/20% REFLECTANCES INITIAL FOOTCANDLES AND WATTS PER SQUARE FOOT																															
	0°	0° - 10° 262 7%	Mounting Height AFF	FC at Center on Floor	Beam Diameter	FC at Beam Edge	<table border="1"> <thead> <tr> <th rowspan="2">Ceiling Height</th> <th rowspan="2">Fixture Spacing</th> <th colspan="2">RCR 2</th> <th colspan="2">RCR 4</th> </tr> <tr> <th>FC *</th> <th>W/Sq. Ft.</th> <th>FC *</th> <th>W/Sq. Ft.</th> </tr> </thead> <tbody> <tr> <td>10'</td> <td>6'</td> <td>91</td> <td>0.98</td> <td>75</td> <td>0.98</td> </tr> <tr> <td>12'</td> <td>8'</td> <td>56</td> <td>0.61</td> <td>47</td> <td>0.61</td> </tr> <tr> <td>16'</td> <td>10'</td> <td>38</td> <td>0.41</td> <td>23</td> <td>0.30</td> </tr> </tbody> </table>	Ceiling Height	Fixture Spacing	RCR 2		RCR 4		FC *	W/Sq. Ft.	FC *	W/Sq. Ft.	10'	6'	91	0.98	75	0.98	12'	8'	56	0.61	47	0.61	16'	10'	38	0.41	23	0.30
	Ceiling Height	Fixture Spacing	RCR 2		RCR 4																														
			FC *	W/Sq. Ft.	FC *	W/Sq. Ft.																													
	10'	6'	91	0.98	75	0.98																													
	12'	8'	56	0.61	47	0.61																													
	16'	10'	38	0.41	23	0.30																													
	0°	0° - 20° 989 26%	8'	42 fc	9.2'	14 fc																													
	5°	0° - 30° 1901 51%	10'	27 fc	11.5'	9 fc																													
	15°	0° - 40° 2590 69%	12'	19 fc	13.9'	6 fc																													
	25°	0° - 60° 3346 90%	14'	14 fc	16.2'	5 fc	Delivered Illuminance Rating: (DIR) 92 FC per W/Sq. Ft. 77 FC per W/Sq. Ft.																												
35°	0° - 80° 3687 99%	16'	11 fc	18.5'	4 fc																														
45°	0° - 90° 3721 100%	20'	7 fc	23.1'	2 fc																														
55°	Total 3732 100%	24'	5 fc	27.7'	2 fc																														
90°		28'	3 fc	32.3'	1 fc																														
Recessed mounting Square rooms used for multiple units: RCR 2: Length & Width = Ceiling Ht. - 2.5' x 5.00 RCR 4: Length & Width = Ceiling Ht. - 2.5' x 2.50 * Average Footcandles at 2.5' Above Floor																																			

Delivered Lumens: 3732  
Luminaire Watts: 38.4  
LER: 97.19

CP at 0° (Nadir): 2717  
CRI: 80+

Beam Angle: 61°  
Spacing Ratio: 0.91

Lumen Multiplier: 10L x 0.18, 15L x 0.29, 20L x 0.39, 30L x 0.58, 40L x 0.78  
CCT Multiplier: 27HK x 0.77, 30K x 0.96, 40K x 1.03, 50K x 1.04

SGE4SQLEDFX 50L 35K XX CA0244FX PT WF SO

CANDLEPOWER CURVE TEST SP-01220_1	INTENSITY CANDELA 0° AZIMUTH	ZONAL LUMENS	SINGLE UNIT: PERFORMANCE DIRECT FOOTCANDLES BASED ON DOWNLIGHT ONLY	MULTIPLE UNITS: PERFORMANCE 80/50/20% REFLECTANCES INITIAL FOOTCANDLES AND WATTS PER SQUARE FOOT																															
	0°	0° - 10° 257 8%	Mounting Height AFF	FC at Center on Floor	Beam Diameter	FC at Beam Edge	<table border="1"> <thead> <tr> <th rowspan="2">Ceiling Height</th> <th rowspan="2">Fixture Spacing</th> <th colspan="2">RCR 2</th> <th colspan="2">RCR 4</th> </tr> <tr> <th>FC *</th> <th>W/Sq. Ft.</th> <th>FC *</th> <th>W/Sq. Ft.</th> </tr> </thead> <tbody> <tr> <td>10'</td> <td>6'</td> <td>78</td> <td>0.98</td> <td>67</td> <td>0.98</td> </tr> <tr> <td>12'</td> <td>8'</td> <td>49</td> <td>0.61</td> <td>42</td> <td>0.61</td> </tr> <tr> <td>16'</td> <td>10'</td> <td>33</td> <td>0.41</td> <td>21</td> <td>0.30</td> </tr> </tbody> </table>	Ceiling Height	Fixture Spacing	RCR 2		RCR 4		FC *	W/Sq. Ft.	FC *	W/Sq. Ft.	10'	6'	78	0.98	67	0.98	12'	8'	49	0.61	42	0.61	16'	10'	33	0.41	21	0.30
	Ceiling Height	Fixture Spacing	RCR 2		RCR 4																														
			FC *	W/Sq. Ft.	FC *	W/Sq. Ft.																													
	10'	6'	78	0.98	67	0.98																													
	12'	8'	49	0.61	42	0.61																													
	16'	10'	33	0.41	21	0.30																													
	0°	0° - 20° 975 31%	8'	41 fc	9.1'	14 fc																													
	5°	0° - 30° 1870 60%	10'	27 fc	11.4'	9 fc																													
	15°	0° - 40° 2501 80%	12'	18 fc	13.6'	6 fc	Delivered Illuminance Rating: (DIR) 79 FC per W/Sq. Ft. 68 FC per W/Sq. Ft.																												
	25°	0° - 60° 3000 96%	14'	14 fc	15.9'	4 fc																													
35°	0° - 80° 3093 99%	16'	10 fc	18.2'	3 fc																														
45°	0° - 90° 3099 100%	20'	7 fc	22.7'	2 fc																														
55°	Total 3109 100%	24'	5 fc	27.3'	2 fc																														
90°		28'	3 fc	31.8'	1 fc																														
Recessed mounting Square rooms used for multiple units: RCR 2: Length & Width = Ceiling Ht. - 2.5' x 5.00 RCR 4: Length & Width = Ceiling Ht. - 2.5' x 2.50 * Average Footcandles at 2.5' Above Floor																																			

Delivered Lumens: 3109  
Luminaire Watts: 38.4  
LER: 80.96

CP at 0° (Nadir): 2653  
CRI: 80+

Beam Angle: 60°  
Spacing Ratio: 0.92

Lumen Multiplier: 10L x 0.18, 15L x 0.29, 20L x 0.39, 30L x 0.58, 40L x 0.78  
CCT Multiplier: 27HK x 0.77, 30K x 0.96, 40K x 1.03, 50K x 1.04

