



ADJUSTABLE ANGLED REFLECTOR
INCANDESCENT
 SIGN LIGHTS

PROJECT: _____
 QUANTITY: _____ TYPE: _____



SERIES	MOUNTING ¹	FINISH ³
AR1214SWVINC	CP6 ¹ Wall Pipe Interface CP3 ¹ CP6 Decorative Cover PA_2 ² Mounting Arm Style	MW ⁴ Matte White MB ⁴ Matte Black PT ⁴ Platinum Silver CC ⁴ Custom Color See Page 3 for Full Range of Color Options (83-90083)

EXAMPLE: AR1214SWVINC/CP6PA23/MW

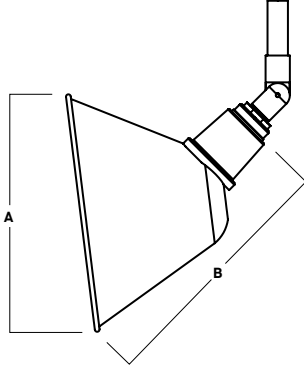
NOTES:
 1 See Mounting Pages Options and Details on Components and Finishes 2 See Mounting Page for Available Arm Options
 3 See Color Page for More Options/Consult Factory for Special Finishes 4 Standard Finishes





ADJUSTABLE ANGLED REFLECTOR
INCANDESCENT
 SIGN LIGHTS

HOUSING DIMENSIONS



A	B
12.1	12.9
307.3 mm	327.7 mm

APPLICATION

Angled Reflector light is perfect for a variety of sign and surface lighting applications. INC Series is designed for covered or indoor dry/damp locations.

FEATURES

Spectrum Lighting's RLM Series features PAR30/PAR38 adjustable lamp holder that tilts 30° and rotates 30°. The wide range of combinations for illumination, mounting, enclosures, guards and finishes allows for creative fixture specification and design. Fixtures may be wall or pendant mounted with standard or custom wall arm (goosenecks) and pendants.

FINISH

Multi-stage polyester powder-coat process applied on our dedicated paint lines. Variety of standard and custom finishes are available. Interior is Matte White unless specified.

ELECTRONICS

E26 Edison medium base 120V socket for incandescent or LED lamps.

CONSTRUCTION

Fixture shades are spun in our factory from 0.063 high purity aluminum. Wall mount canopies are die-cast aluminum with stainless steel hardware. Wall arms are formed 3/4 NPT aluminum pipe.

CODE COMPLIANCE

BAA Compliant. ETL listed for dry/damp locations. Manufactured and tested to UL standards No. 1598/8750.

COLOR OPTIONS - POWDER COAT PAINT FINISHES

NOTE: NO PRINTED IMAGE CAN EQUAL THE EXACT COLOR OF FINISH ON METAL.
SEE INDIVIDUAL SPECIFICATION SHEETS OR CONSULT FACTORY FOR ADDITIONAL INFORMATION.



STANDARD CORD / STEM / CANOPY FINISHES

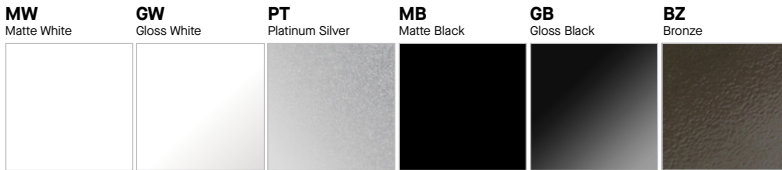
FIXTURE COLOR	STANDARD CORD COLOR	STANDARD CANOPY / STEM COLOR
Matte White, Textured White	Matte White	Matte White
Gloss White	Matte White	Gloss White
Matte Black, Gloss Black, Textured Black	Matte Black	Matte Black
All Others	Matte Black	Same Color as Fixture
Custom Color	Contact Factory	Contact Factory

PAINT TIMES

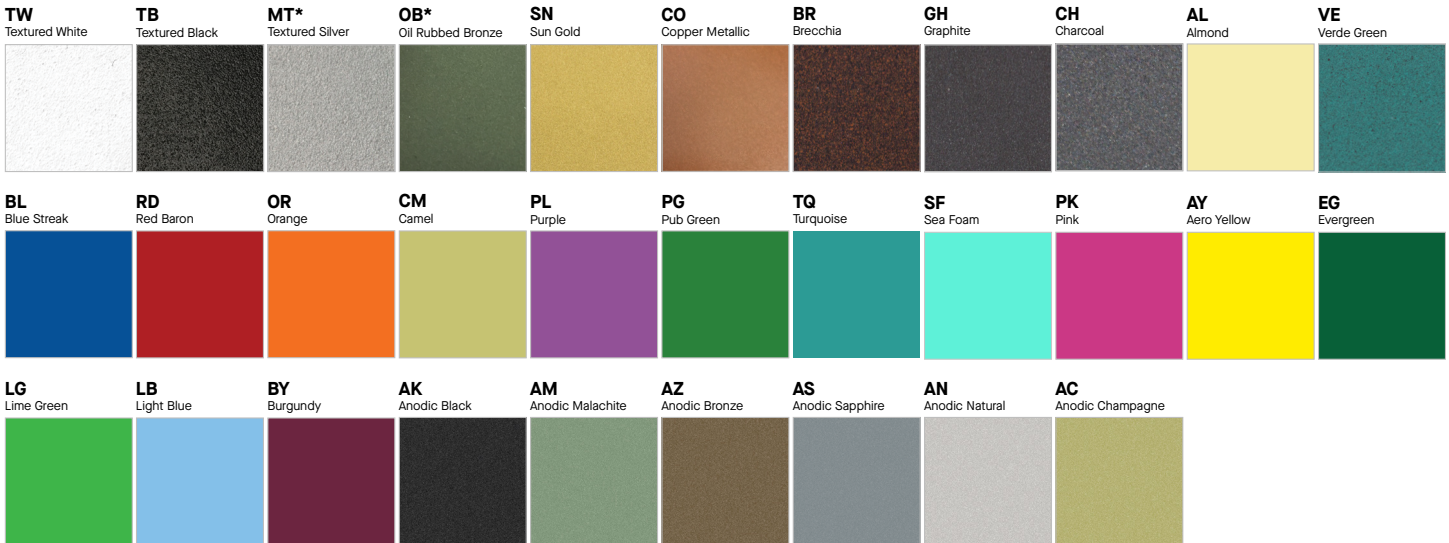
TIER	COST	AVERAGE PAINT TIME*
Tier 1 - Standard Finishes	\$	⓪
Tier 2 - Typical Finishes	\$\$	⓪⓪
Tier 3 - Special Metal Finishes	\$\$\$	⓪⓪⓪
Custom Color	Contact Factory	Contact Factory

*CONTACT FACTORY FOR SPECIFIC PRODUCT LEAD TIMES

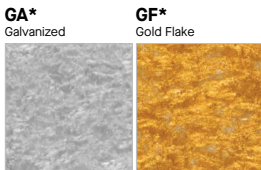
TIER 1 - STANDARD FINISHES



TIER 2 - TYPICAL FINISHES



TIER 3 - SPECIAL METAL FINISHES



CUSTOM COLOR FINISHES

CONTACT FACTORY

CC
Custom Color



*UNAVAILABLE FOR WET LOCATION