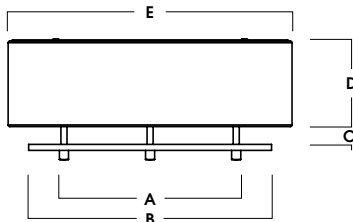


# 12" ROUND DECORATIVE DECORATIVE SERIES



1FGR - Shown



A	B	C	D	E
7.3	10.0	1.0	3.6	11.7
185.4 mm	254.0 mm	25.4 mm	91.4 mm	297.2 mm

## C1203GV - CEILING MOUNT

### APPLICATION

Decorative 12" round x 4.75" deep cylinder with wide distribution and optional integral emergency battery. Three decorative ring options add visual appeal and ceiling brightness.

### FEATURES

Spectrum's Cylinder series provides traditional architectural style with high performance and energy efficient illumination. Rugged design with flexible mounting, finish and LED options make these extremely versatile fixtures. Single stage optical system design delivers smooth general illumination.

### FINISH

Multi-stage polyester powder-coat process applied on our dedicated paint lines. See mounting and color pages for standard finishes. All exposed materials are chromate pretreated to resist corrosion.

### ELECTRONICS

GV LED system features high brightness white Samsung LED's. 3-step MacAdam Ellipse binning. Standard CRI: 85+. Higher CRI, R9 and custom LED configurations are available; consult factory. Variety of electronic 120V/277V and dimming drivers.

### CONSTRUCTION

Spun seamless aluminum fixture housing. Stainless steel hardware with galvanized steel brackets to resist corrosion. One piece reflector trim spun from .063 thick high purity aluminum and finished to specification. Deco Tier is tempered fabricated edge sanded glass on spun aluminum.

### CODE COMPLIANCE

BAA compliant. ETL certified to meet US and Canadian standards. Suitable for dry or damp locations. Wet Location Option. Manufactured and tested to UL standards No. 1598/8750.

### LUMENS / WATTAGE DATA

PART NUMBER	SOURCE LUMENS <sup>1</sup>	DELIVERED LUMENS <sup>2</sup>	SYSTEM WATTS	LPW
C1203GV15L	1500	1133	10	113
C1203GV27L	2700	1978	18	110
C1203GV37L	3700	2902	26	112

SERIES	LUMENS <sup>1</sup>	CCT	DRIVER / DIMMING <sup>3</sup>	OPTIONS <sup>4</sup>	TRIM	MOUNTING <sup>8</sup>	FINISH <sup>12</sup>	
C1203GV	15L	1500 Lm	27K 2700K	EX Electronic Driver, 120V/277V	FS Fuse Holder and Fuse WL <sup>5</sup> Wet Location	HM <sup>7/10</sup> Hang Straight	MW <sup>13</sup> Matte White MB <sup>13</sup> Matte Black PT <sup>13</sup> Platinum Silver CC Custom Color	
	27L	2700 Lm	30K 3000K	DS10X 10%, 0-10V, 120V/277V		TSG <sup>4</sup> Semi Diffuse Low Iridescent Clear		PM <sup>7/10</sup> Rigid Pendant Mount
	37L	3700 Lm	35K 3500K	DO10X 1%, 0-10V, 120V/277V		TMW Matte White		AT <sup>7/10</sup> Hang Straight All Thread
			40K 4000K	DS2W1 ELV / MLV, 120V		TCY Same Color as Cylinder		CD3X <sup>9/11</sup> 3X Cord / Cable Mount
		50K 5000K		TCC Custom Color	SM Surface Mount			
					LENS	EMERGENCY BATTERY OPTIONS		
					SO <sup>7</sup> Micro Prism Solite™ Lens	EMIT 7W Emergency Battery Test Switch	See Page 5 for Full Range of Color Options (83-90079)	
					DECO TRIM	EMRM 7W Remote EM		
					1FGR Frosted Glass Ring 1TCFG 1 Center Frosted Glass Tier 1MR 1 Metal Ring			

**EXAMPLE:** C1203GV27L35KEX/TSGSO1FGR/SM/MW

#### NOTES:

1 Nominal Source Lumens at 35K 2 Nominal Delivered Lumens at 35K with TSG-SO-FGR 3 Contact Factory for Additional Options 4 See Product Options Page For Details 5 Wet Location Unavailable with CD 6 Standard Finish 6 Standard Lens 7 See Mounting Page for Details on Components and Finishes 8 Specify Length in Inches. See Mounting Page for Available Lengths 9 Not for Use in Locations with Wind Exposure 10 EMxxxx Option Requires 2 Cords/Not Available for WL 11 See Color Page for More Options/Consult Factory for Special Finishes 12 Standard Finishes



PROJECT: \_\_\_\_\_  
TYPE: \_\_\_\_\_



Dimensions and values shown are nominal. Spectrum Lighting continually works to improve products and reserves the right to make changes which may alter the performance or appearance of products.

# 12" ROUND DECORATIVE

## DECORATIVE SERIES / FIXTURE OPTIONS



### STANDARD FINISHES

**MW**  
MATTE WHITE



**MB**  
MATTE BLACK

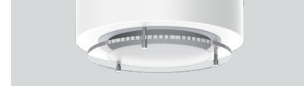


**PT**  
PLATINUM SILVER

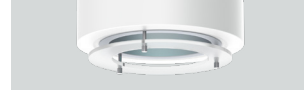


### DECO-TIER OPTIONS

**1FGR**  
FROSTED GLASS RING



**1TCFG**  
1 CENTER FROSTED GLASS TIER

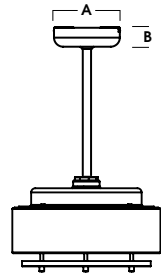


**1MR**  
1 METAL RING



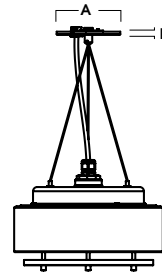
### MOUNTING TYPES

**HM / PM / AT**  
HANG STRAIGHT / PENDANT / ALL THREAD



A	B
5.0	1.5
127.0 mm	38.1 mm

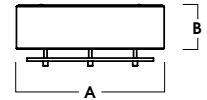
**CD3X\***  
3X CORD / CABLE MOUNT



A	B
5.0	.25
127.0 mm	6.4 mm

\*Not Available for Wet Location

**SM**  
SURFACE MOUNT



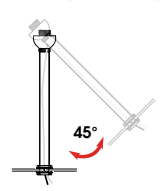
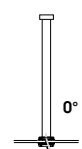
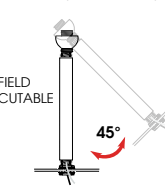
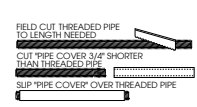
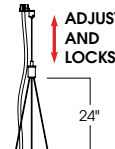
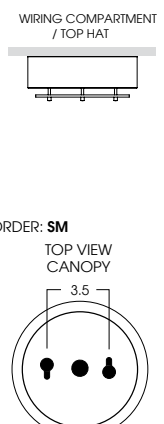
A	B
11.7	3.6
297.2 mm	91.4 mm

# STANDARD MOUNTING & ACCESSORIES

SOME OPTIONS NOT AVAILABLE ON ALL FIXTURES. CONSULT SPECIFICATION SHEETS. SEE INDIVIDUAL SPECIFICATION SHEETS OR CONSULT FACTORY FOR ADDITIONAL INFORMATION. NOTE: THIS IS TYPICAL OF CYLINDERS SPECIFICATION FOR PENDANT MOUNTING. INDIVIDUAL FIXTURES OR PROJECTS MAY HAVE SPECIALIZED REQUIREMENTS.



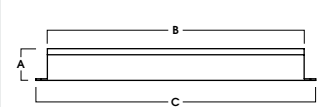
## MOUNTING TYPES

<p><b>HM*</b> HANG STRAIGHT 45° SWIVEL 5/8" OD STEM - 3/8" IP</p>  <p>ORDER: <b>HM</b> (Length) SPECIFY LENGTH: <b>HM3</b> - 3"    <b>HM24</b> - 24" <b>HM6</b> - 6"    <b>HM36</b> - 36" <b>HM12</b> - 12"    <b>HM48</b> - 48" <b>HM18</b> - 18"    <b>HM72</b> - 72" <b>HMLC(XX)</b> Custom Length (Specify in Inches)</p>	<p><b>PM*</b> RIGID PENDANT MOUNT RIGID 5/8" OD STEM - 3/8" IP</p>  <p>ORDER: <b>PM</b> (Length) SPECIFY LENGTH: <b>PM3</b> - 3"    <b>PM24</b> - 24" <b>PM6</b> - 6"    <b>PM36</b> - 36" <b>PM12</b> - 12"    <b>PM48</b> - 48" <b>PM18</b> - 18"    <b>PM72</b> - 72" <b>PMLC(XX)</b> Custom Length (Specify in Inches)</p>	<p><b>AT**</b> HANG STRAIGHT ALL THREAD 45° SWIVEL 5/8" OD STEM - 1/4" IP</p>  <p>ORDER: <b>AT</b> (Length) SPECIFY LENGTH: <b>AT12</b> - 12" <b>AT24</b> - 24" <b>AT36</b> - 36"</p>  <p>FIELD CUT THREADED PIPE TO LENGTH NEEDED CUT PIPE COVER 3/4" SHORTER THAN THREADED PIPE SLIP PIPE COVER OVER THREADED PIPE</p>	<p><b>CD3X</b> CORD / CABLE MOUNT SJ CORD WITH 1/16 SS CABLE</p>  <p>ORDER: <b>CDX3</b> (Length) SPECIFY LENGTH: <b>CD3X36</b> - 36" <b>CD3X72</b> - 72" <b>CD3X144</b> - 144" <b>CDLC3X(XX)</b> Custom Length (Specify in Inches)</p>	<p><b>SM</b> SURFACE MOUNT WIRING COMPARTMENT / TOP HAT</p>  <p>ORDER: <b>SM</b> TOP VIEW CANOPY 3.5</p> <p>KEY SLOTS MOUNT CANOPY TO WALL JUNCTION BOX. JUNCTION BOX IS COVERED.</p>
--	---	--	---	--

\*MAXIMUM ONE PIECE STEM LENGTH IS 72". \*\*MAXIMUM ONE PIECE STEM LENGTH IS 36". LONGER LENGTHS ARE POSSIBLE USING MULTIPLE STEMS AND COUPLERS.

## REMOTE EMERGENCY BATTERY OPTIONS

**EMRM\*** - 7W REMOTE EMERGENCY BATTERY (50' MAX)



A	B	C
1.3	12.6	13.0

\*OTHER EM BATTERY SIZES AVAILABLE. CONSULT FACTORY

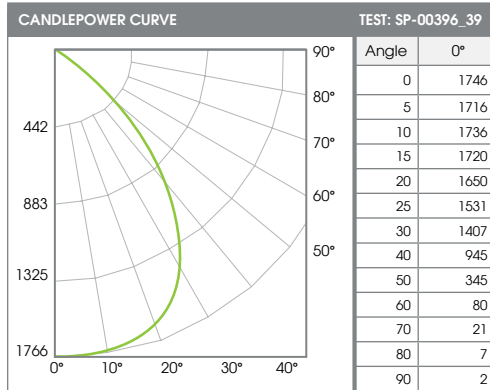
# 12" ROUND DECORATIVE

## DECORATIVE SERIES / PHOTOMETRIC DATA



C1203GV-37L35KEX-TSG-SO-1FGR

37L - 85 CRI



**ZONAL LUMENS**

0-10	167	6%
0-20	656	23%
0-30	1378	47%
0-40	2148	74%
0-60	2835	98%
0-80	2897	100%
0-90	2902	100%
Total Lumens	2902	100%

**SINGLE UNIT: PERFORMANCE**  
INITIAL FOOTCANDLES AND BEAM ANGLE DIAMETERS

Mounting Height*	FC at Center	Diameter of Beam**	FC at Beam**
5.5	58	9.5	16
6.5	41	11.3	12
7.5	31	13.0	9
8.5	24	14.7	7
10	17	17.3	5
12	12	20.8	3
14	9	24.3	3
16	7	27.7	2

\* From aperture to horizontal surface below.  
\*\* At IESNA defined Beam Angle, to 50% Max. CP.

Delivered Lumens: 2902      CP @ 0° (Nadir): 1746  
 Luminaire Watts: 26      Beam Angle: 81.8°  
 LER: 112                      CRI: 83

Spacing Ratio: 1.2  
 Output Multipliers: 15L x 0.39, 27L x 0.68

# COLOR OPTIONS - POWDER COAT PAINT FINISHES

NOTE: NO PRINTED IMAGE CAN EQUAL THE EXACT COLOR OF FINISH ON METAL.  
SEE INDIVIDUAL SPECIFICATION SHEETS OR CONSULT FACTORY FOR ADDITIONAL INFORMATION.



## STANDARD CORD / STEM / CANOPY FINISHES

FIXTURE COLOR	STANDARD CORD COLOR	STANDARD CANOPY / STEM COLOR
Matte White, Textured White	Matte White	Matte White
Gloss White	Matte White	Gloss White
Matte Black, Gloss Black, Textured Black	Matte Black	Matte Black
All Others	Matte Black	Same Color as Fixture
Custom Color	Contact Factory	Contact Factory

## PAINT TIMES

TIER	COST	AVERAGE PAINT TIME*
Tier 1 - Standard Finishes	\$	⓪
Tier 2 - Typical Finishes	\$\$	⓪⓪
Tier 3 - Special Metal Finishes	\$\$\$	⓪⓪⓪
Tier 4 - Tri-Coat Finishes	\$\$\$	⓪⓪⓪⓪
Custom Color	Contact Factory	Contact Factory

\*CONTACT FACTORY FOR SPECIFIC PRODUCT LEAD TIMES

## TIER 1 - STANDARD FINISHES



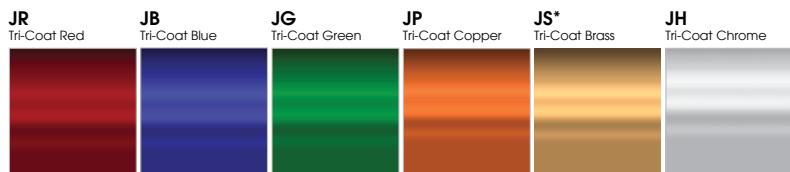
## TIER 2 - TYPICAL FINISHES



## TIER 3 - SPECIAL METAL FINISHES



## TIER 4 - TRI-COAT FINISHES



## CUSTOM COLOR FINISHES

CONTACT FACTORY

CC  
Custom Color



\*UNAVAILABLE FOR WET LOCATION

\*\*UNAVAILABLE FOR INTERIOR