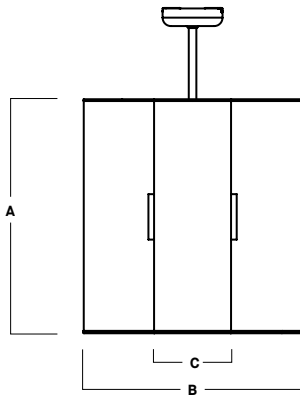


# 8" ROUND TRIO DIRECT / INDIRECT CHANDELIER SERIES



A	B	C
24.0 609.6 mm	22.7 576.6 mm	8.0 203.2 mm

Fixture Weight: 84.5 lbs

## C3×0824UDXT - CEILING MOUNT

### APPLICATION

8" round x 24" high cylinder pendant Trio for direct / indirect lighting.

### FEATURES

Spectrum's Cylinder series provides traditional architectural style with high performance and energy efficient illumination. All fixtures are designed and manufactured in our factory. Cylinder pendant trio makes a statement with multiple lamp direct/indirect lighting. Rugged design with flexible mounting, finish and LED options make these extremely versatile fixtures. Quick change LED module with interchangeable optics for job site flexibility and fixture upgrade.

### FINISH

Multi-stage polyester powder-coat process applied on our dedicated paint lines. See mounting and color pages for standard finishes. All exposed materials are chromate pre-treated to resist corrosion.

### ELECTRONICS

LED system features Xicato LED module with proprietary phosphor technology that provides consistent stable color with CCT control of +/- 100K over life of the light engine. Base CRI is 83 with 2-step MacAdam Ellipse binning. High CRI is 98 with 1 x 2-step MacAdam Ellipse binning. Variety of electronic 120V/277V and dimming drivers. 1 or 2 circuit operation.

### CONSTRUCTION

Fabricated seamless aluminum fixture housing. Specular primary optical reflectors provide high efficiency illumination. Stainless steel hardware with galvanized steel brackets to resist corrosion. Trim formed from .063 thick high purity aluminum and finished to specification.

### CODE COMPLIANCE

BAA compliant. ETL certified to meet US and Canadian standards. Suitable for dry or damp locations. Manufactured and tested to UL standards No. 1598/8750.

LUMENS / WATTAGE DATA				
PART NUMBER	SOURCE LUMENS	DELIVERED LUMENS <sup>2</sup>	SYSTEM WATTS <sup>3</sup>	LPW
C03×0824UDXT10Lx6	6000	4491	54.6	82
C3×0824UDXT13Lx6	7800	6051	78.0	78
C3×0824UDXT20Lx6	12000	9309	130.2	71

SERIES	UPLIGHT <sup>4</sup>		DOWNLIGHT		CCT	DRIVER / DIMMING <sup>7</sup>		OPTIONS <sup>8</sup>	TRIM	MOUNTING <sup>11</sup>		FINISH <sup>13</sup>				
C3×0824UDXT	LUMENS <sup>1</sup>	OPTICS	LUMENS <sup>1</sup>	OPTICS	83 CRI	EX	Electronic Driver, 120V/277V	FS	Fuse Holder and Fuse	TSG	Semi Diffuse Low	HM <sup>12</sup>	Hang-Straight Mounting	MW <sup>14</sup>	Matte White	
	10L	XN <sup>5</sup> 11°	10L	XN <sup>5</sup> 12°	27K					2700K	DS10X					10%, 0-10V, 120V/277V
	13L	MD 37°	13L	MD 39°	35K	3500K	DO10X	1%, 0-10V, 120V/277V	TCC	Custom Color		AT <sup>12</sup>	Hang Straight All Thread	PT <sup>14</sup>	Platinum Silver	
	20L	WD 42°	20L	WD 46°	40K	4000K					DS2W1					ELV/MLV, 120V
1000 Lm	ND 23°	1000 Lm	ND 22°	30K	3000K	98 CRI <sup>6</sup>	LENS	EMERGENCY BATTERY OPTIONS								
1300 Lm	MD 37°	1300 Lm	MD 39°	35K	3500K	27HK	2700K	SO <sup>10</sup>	Micro Prism Solite™ Lens	EMEN	7W Remote with Enclosure	GL	Clear Glass Lens	FG	Frosted Glass Lens	
2000 Lm	XW 58°	2000 Lm	XW 57°	40K	4000K											30HK
						35HK	3500K									
						40HK	4000K									

**EXAMPLE:** C3×0824UDXT20LND20LMD35KEX/TSGSO/HM36/MW

**NOTES:**  
 1 Nominal Source Lumens At Any CCT 2 Nominal Delivered Lumens at 83 CRI at Any CCT with WD-GL, WD-TSG-SO 3 At 83 CRI 4 1/4" Clear Glass Only 5 13L Max/XN not Available with 98 CRI Option 6 20L Max  
 7 Contact Factory for Additional Options 8 See Product Options Page for Details 9 Not Available for Uplight 10 Standard Lens 11 See Mounting Page for Details on Components and Finishes 12 Specify Length in Inches:  
 See Mounting Page for Available Lengths 13 Reference Color Sheet Located on Product Webpage for Full List of Available Colors/Consult Factory for Special Finishes 14 Standard Finishes



PROJECT: \_\_\_\_\_  
 TYPE: \_\_\_\_\_



Dimensions and values shown are nominal. Spectrum Lighting continually works to improve products and reserves the right to make changes which may alter the performance or appearance of products.

# 8" ROUND TRIO DIRECT / INDIRECT

CHANDELIER SERIES / FIXTURE OPTIONS



## STANDARD FINISHES

**MW**  
MATTE WHITE



**MB**  
MATTE BLACK

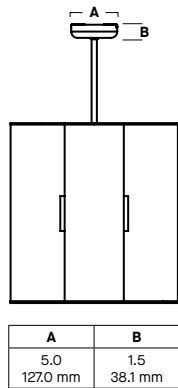


**PT**  
PLATINUM SILVER

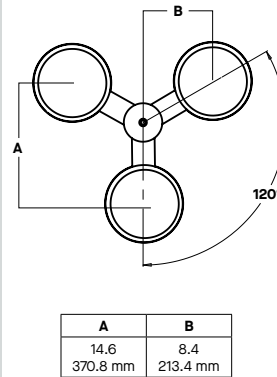
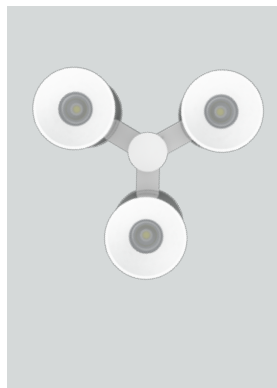


## MOUNTING TYPES

**HM / PM / AT**  
HANG STRAIGHT / PENDANT / ALL THREAD



## BOTTOM VIEW

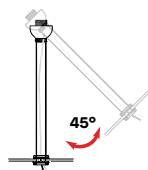
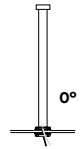
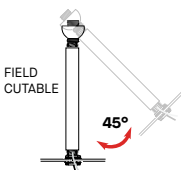
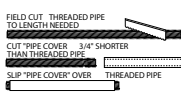


# STANDARD MOUNTING & ACCESSORIES

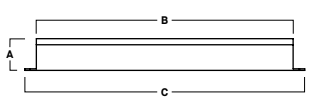
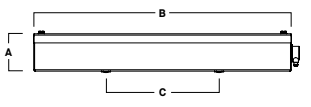
SOME OPTIONS NOT AVAILABLE ON ALL FIXTURES. CONSULT SPECIFICATION SHEETS. SEE INDIVIDUAL SPECIFICATION SHEETS OR CONSULT FACTORY FOR ADDITIONAL INFORMATION. NOTE: THIS IS TYPICAL OF CYLINDERS SPECIFICATION FOR PENDANT MOUNTING. INDIVIDUAL FIXTURES OR PROJECTS MAY HAVE SPECIALIZED REQUIREMENTS.



## MOUNTING TYPES

<p><b>HM*</b> HANG STRAIGHT 45° SWIVEL 5/8" OD STEM - 3/8" IP</p>  <p>ORDER: <b>HM</b> (Length) SPECIFY LENGTH: <b>HM3</b> - 3"    <b>HM24</b> - 24" <b>HM6</b> - 6"    <b>HM36</b> - 36" <b>HM12</b> - 12"    <b>HM48</b> - 48" <b>HM18</b> - 18"    <b>HM72</b> - 72" <b>HMLC(XX)</b> Custom Length (Specify in Inches)</p>	<p><b>PM*</b> RIGID PENDANT MOUNT RIGID 5/8" OD STEM - 3/8" IP</p>  <p>ORDER: <b>PM</b> (Length) SPECIFY LENGTH: <b>PM3</b> - 3"    <b>PM24</b> - 24" <b>PM6</b> - 6"    <b>PM36</b> - 36" <b>PM12</b> - 12"    <b>PM48</b> - 48" <b>PM18</b> - 18"    <b>PM72</b> - 72" <b>PMLC(XX)</b> Custom Length (Specify in Inches)</p>	<p><b>AT**</b> HANG STRAIGHT ALL THREAD 45° SWIVEL 5/8" OD STEM - 1/4" IP</p>  <p>ORDER: <b>AT</b> (Length) SPECIFY LENGTH: <b>AT12</b> - 12" <b>AT24</b> - 24" <b>AT36</b> - 36"</p>  <p>FIELD CUT THREADED PIPE TO LENGTH NEEDED CUT PIPE COVER 3/4" SHORTER THAN THREADED PIPE SLIP PIPE COVER OVER THREADED PIPE</p> <p><small>**MAXIMUM ONE PIECE STEM LENGTH IS 72". **MAXIMUM ONE PIECE STEM LENGTH IS 36". LONGER LENGTHS ARE POSSIBLE USING MULTIPLE STEMS AND COUPLERS.</small></p>
--	---	---

## REMOTE EMERGENCY BATTERY OPTIONS

<p><b>EMRM*</b> - 7W REMOTE EMERGENCY BATTERY (50' MAX)</p>  <table border="1"> <thead> <tr> <th>A</th> <th>B</th> <th>C</th> </tr> </thead> <tbody> <tr> <td>1.3</td> <td>12.6</td> <td>13.0</td> </tr> </tbody> </table>	A	B	C	1.3	12.6	13.0	<p><b>EMEN*</b> - 7W REMOTE EMERGENCY BATTERY WITH ENCLOSURE (50' MAX)</p>  <table border="1"> <thead> <tr> <th>A</th> <th>B</th> <th>C</th> </tr> </thead> <tbody> <tr> <td>2.0</td> <td>17.0</td> <td>6.2</td> </tr> </tbody> </table>	A	B	C	2.0	17.0	6.2
A	B	C											
1.3	12.6	13.0											
A	B	C											
2.0	17.0	6.2											

\*OTHER EM BATTERY SIZES AVAILABLE, CONSULT FACTORY

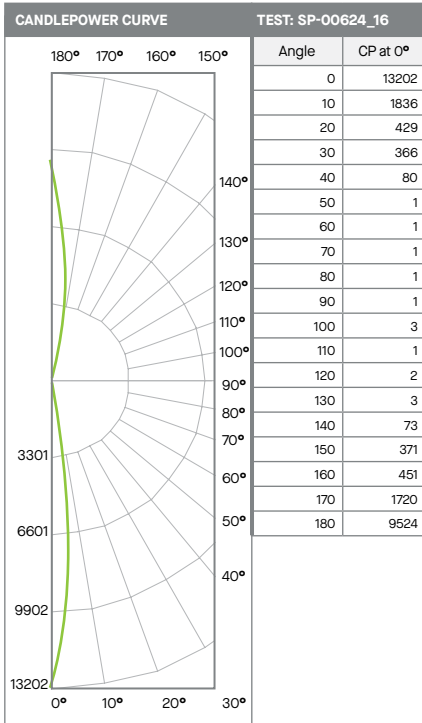
# 8" ROUND TRIO DIRECT / INDIRECT

CHANDELIER SERIES / PHOTOMETRIC DATA



C0824UDXT-13LXNGL-13LXN-xxKEX-TSG-GLxxx

13Lx2 XTRA NARROW - 83 CRI



ZONAL LUMENS		
0-20	807	39%
0-40	1138	55%
0-60	1154	55%
0-90	1157	56%
90-120	8	0%
90-150	170	8%
90-180	924	44%
Total Lumens	2081	100%

SINGLE UNIT: PERFORMANCE INITIAL FOOTCANDLES AND BEAM ANGLE DIAMETERS			
Mounting Height*	FC at Center	Diameter of Beam**	FC at Beam**
5.5'	436	1.1'	216
6.5'	312	1.3'	155
7.5'	235	1.5'	116
8.5'	183	1.7'	90
10.0'	132	2.0'	65
12.0'	92	2.4'	45
14.0'	67	2.8'	33
16.0'	52	3.2'	26

SINGLE UNIT: PERFORMANCE INITIAL FOOTCANDLES AND BEAM ANGLE DIAMETERS			
Mounting Height*	FC at Center	Diameter of Beam**	FC at Beam**
4.0'	825	0.8'	409
5.0'	523	1.0'	261
6.0'	367	1.2'	182
8.0'	206	1.6'	102
10.0'	132	2.0'	65
12.0'	92	2.4'	45
14.0'	67	2.8'	33
16.0'	52	3.2'	26

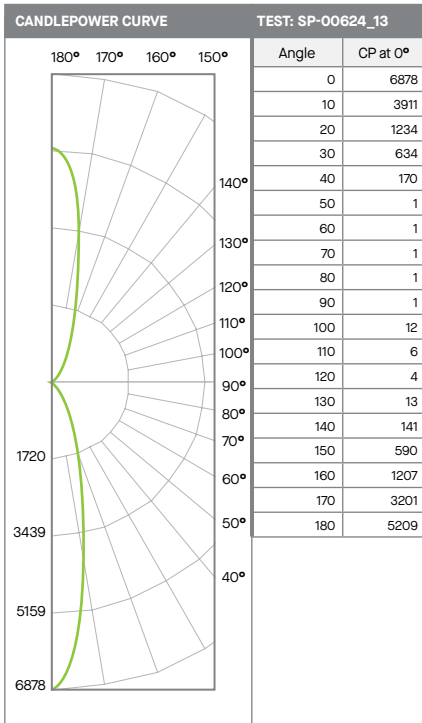
Delivered Lumens: 2081  
Luminaire Watts: 36.8  
LER: 57

CP @ 0° (Nadir): 13202  
Direct Beam Angle: 11.5°  
Indirect Beam Angle: 11.3°  
CRI: 83

Spacing Ratio: N/A  
Output Multipliers: 10L x 0.74

C0824UDXT-20LNDGL-20LND-xxKEX-TSG-GLxxx

20Lx2 NARROW - 83 CRI



ZONAL LUMENS		
0-20	1135	33%
0-40	1802	53%
0-60	1844	54%
0-90	1847	54%
90-120	30	1%
90-150	280	8%
90-180	1568	46%
Total Lumens	3414	100%

SINGLE UNIT: PERFORMANCE INITIAL FOOTCANDLES AND BEAM ANGLE DIAMETERS			
Mounting Height*	FC at Center	Diameter of Beam**	FC at Beam**
5.5'	227	2.0'	110
6.5'	163	2.4'	79
7.5'	122	2.8'	59
8.5'	95	3.1'	46
10.0'	69	3.7'	33
12.0'	48	4.4'	23
14.0'	35	5.2'	17
16.0'	27	5.9'	13

SINGLE UNIT: PERFORMANCE INITIAL FOOTCANDLES AND BEAM ANGLE DIAMETERS			
Mounting Height*	FC at Center	Diameter of Beam**	FC at Beam**
4.0'	430	1.6'	206
5.0'	275	2.0'	132
6.0'	191	2.5'	92
8.0'	107	3.3'	52
10.0'	69	4.1'	33
12.0'	48	4.9'	23
14.0'	35	5.7'	17
16.0'	27	6.5'	13

Delivered Lumens: 3414  
Luminaire Watts: 43.4  
LER: 79

CP @ 0° (Nadir): 6878  
Direct Beam Angle: 20.9°  
Indirect Beam Angle: 23.1°  
CRI: 83

Spacing Ratio: N/A  
Output Multipliers: 10L x 0.48, 13L x 0.65

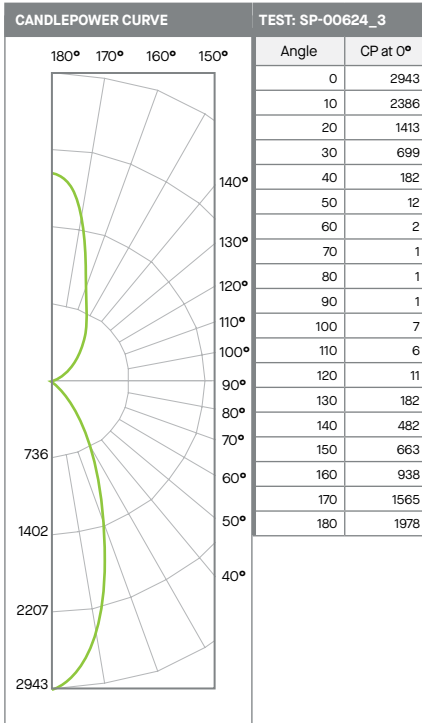
# 8" ROUND TRIO DIRECT / INDIRECT

CHANDELIER SERIES / PHOTOMETRIC DATA



## C0824UDXT-20LMDGL-20LMD-xxKEX-TSG-SOxxx

## 20Lx2 MEDIUM - 83 CRI



ZONAL LUMENS		
0-20	773	25%
0-40	1503	48%
0-60	1564	50%
0-90	1567	51%
90-120	18	1%
90-150	675	22%
90-180	1534	49%
Total Lumens	3101	100%

SINGLE UNIT: PERFORMANCE INITIAL FOOTCANDLES AND BEAM ANGLE DIAMETERS			
Mounting Height*	FC at Center	Diameter of Beam**	FC at Beam**
5.5'	97	4.0'	43
6.5'	70	4.7'	31
7.5'	52	5.4'	23
8.5'	41	6.1'	18
10.0'	29	7.2'	13
12.0'	20	8.6'	9
14.0'	15	10.1'	7
16.0'	11	11.5'	5

SINGLE UNIT: PERFORMANCE INITIAL FOOTCANDLES AND BEAM ANGLE DIAMETERS			
Mounting Height*	FC at Center	Diameter of Beam**	FC at Beam**
4.0'	184	2.6'	83
5.0'	118	3.3'	53
6.0'	82	4.0'	37
8.0'	46	5.3'	21
10.0'	29	6.6'	13
12.0'	20	7.9'	9
14.0'	15	9.3'	7
16.0'	11	10.6'	5

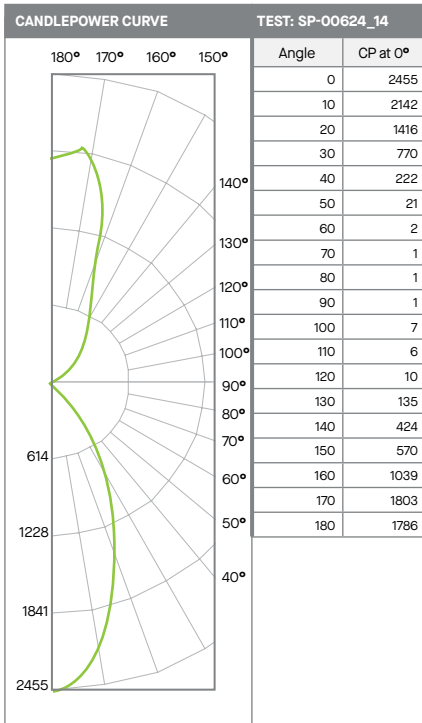
Delivered Lumens: 3101  
Luminaire Watts: 43.4  
LER: 71

CP @ 0° (Nadir): 2943  
Direct Beam Angle: 39.6°  
Indirect Beam Angle: 36.6°  
CRI: 83

Spacing Ratio: N/A  
Output Multipliers: 10L x 0.48, 13L x 0.65

## C0824UDXT-20LWDGL-20LWD-xxKEX-TSG-SOxxx

## 20Lx2 WIDE - 83 CRI



ZONAL LUMENS		
0-20	712	23%
0-40	1501	48%
0-60	1578	51%
0-90	1581	51%
90-120	18	1%
90-150	599	19%
90-180	1522	49%
Total Lumens	3103	100%

SINGLE UNIT: PERFORMANCE INITIAL FOOTCANDLES AND BEAM ANGLE DIAMETERS			
Mounting Height*	FC at Center	Diameter of Beam**	FC at Beam**
5.5'	81	4.7'	34
6.5'	58	5.5'	25
7.5'	44	6.4'	18
8.5'	34	7.2'	14
10.0'	25	8.5'	10
12.0'	17	10.2'	7
14.0'	13	11.9'	5
16.0'	10	13.6'	4

SINGLE UNIT: PERFORMANCE INITIAL FOOTCANDLES AND BEAM ANGLE DIAMETERS			
Mounting Height*	FC at Center	Diameter of Beam**	FC at Beam**
4.0'	153	3.1'	67
5.0'	98	3.8'	43
6.0'	68	4.6'	30
8.0'	38	6.2'	17
10.0'	25	7.7'	11
12.0'	17	9.2'	7
14.0'	13	10.8'	5
16.0'	10	12.3'	4

Delivered Lumens: 3103  
Luminaire Watts: 43.4  
LER: 71

CP @ 0° (Nadir): 2455  
Direct Beam Angle: 46.0°  
Indirect Beam Angle: 42.1°  
CRI: 83

Spacing Ratio: N/A  
Output Multipliers: 10L x 0.48, 13L x 0.65

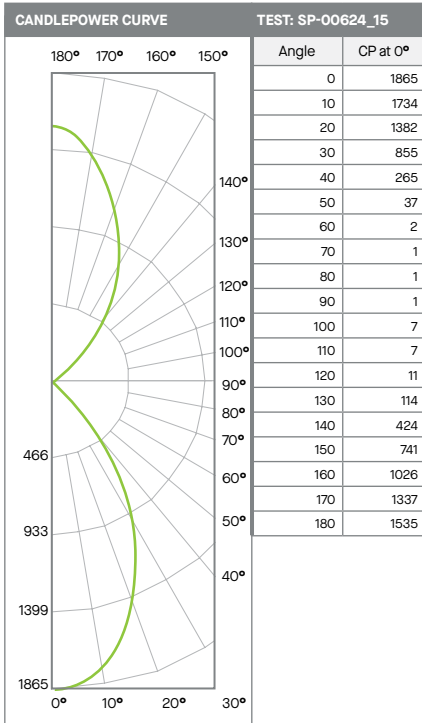
# 8" ROUND TRIO DIRECT / INDIRECT

CHANDELIER SERIES / PHOTOMETRIC DATA



C0824UDXT-20LXWGL-20LXW-xxKEX-TSG-SOxxx

20Lx2 XTRA NARROW - 83 CRI



Zone	Lumens	%
0-20	611	20%
0-40	1483	48%
0-60	1594	52%
0-90	1597	52%
90-120	19	1%
90-150	612	20%
90-180	1479	48%
<b>Total Lumens</b>	<b>3076</b>	<b>100%</b>

Mounting Height*	FC at Center	Diameter of Beam**	FC at Beam**
5.5'	62	6.2'	23
6.5'	44	7.3'	17
7.5'	33	8.4'	13
8.5'	26	9.6'	10
10.0'	19	11.2'	7
12.0'	13	13.5'	5
14.0'	10	15.7'	4
16.0'	7	18.0'	3

Mounting Height*	FC at Center	Diameter of Beam**	FC at Beam**
4.0'	117	4.4'	45
5.0'	75	5.6'	29
6.0'	52	6.7'	20
8.0'	29	8.9'	11
10.0'	19	11.1'	7
12.0'	13	13.3'	5
14.0'	10	15.6'	4
16.0'	7	17.8'	3

Delivered Lumens: 3076  
Luminaire Watts: 43.4  
LER: 71

CP @ 0° (Nadir): 1865  
Direct Beam Angle: 58.7°  
Indirect Beam Angle: 58.1°  
CRI: 83

Spacing Ratio: N/A  
Output Multipliers: 10L x 0.48, 13L x 0.65

\* From aperture to horizontal surface below.  
\*\* At IESNA defined Beam Angle, to 50% Max. CP.

\* From aperture to horizontal surface below.  
\*\* At IESNA defined Beam Angle, to 50% Max. CP.