



12" & 16" PRISMATIC

DDT SERIES / 100 WATT MAX



PRDDT-INC - PRISMATIC REFRACTOR

APPLICATION

Lumen Max Incandescent High/Low Bay is designed for gymnasium, retail and industrial lighting.

FEATURES

Prismatic Pendant (DDT) series offers a decorative fixture with medium base socket for INC and LED lamps. Prismatic refractor promotes horizontal and vertical illumination. Variety of mounting options. Variety of optical lenses, guards, finish colors and mounting options.

FINISH

Multi-stage polyester powder-coat process applied on our dedicated paint lines. A wide variety of standard and custom finishes are available. All exposed materials are chromate pretreated to resist corrosion.

ELECTRONICS

Medium base socket for incandescent and LED lamps.

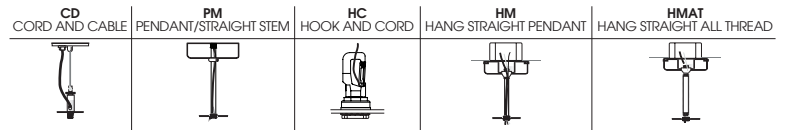
CONSTRUCTION

Fixture constructed of spun and cast aluminum. Refractor is molded U.V. stabilized optical acrylic.

CODE COMPLIANCE

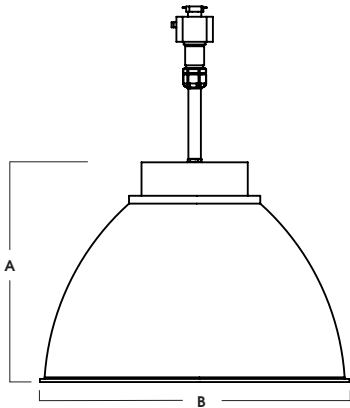
ETL listed for damp locations. Manufactured and tested to UL standard No. 1598.

MOUNTING OPTIONS



DIFFUSER OPTIONS¹

BC CN - conical lens



A	B
7.4	12.4
10.9	16.2

SERIES	OPTIONS	MOUNTING	REFRACTOR	DIFFUSER OPTIONS	FINISH ⁴
PRDDT12INC 12" Prismatic	FS Fuse Holder and Fuse MWL Max Wattage Label	HM ¹ Hang Straight Pendant	PR12 12" Clear Prismatic	DOOR	MW ⁵ Matte White MB ⁵ Matte Black PT ⁵ Platinum Silver
		PM ¹ Rigid Pendant	PR16 16" Clear Prismatic		
PRDDT16INC 16" Prismatic		CM ¹ Aircraft Cable, Straight Cord	OP12 12" Opal Etch	CN Conical Lens	See Page 2 for Full Range of Color Options (83-90081)
		SC1 Safety Cable	OP16 16" Opal Etch		
		HC Hook and Cord	DF12 12" Diffuse	WAG12 12" Wire Guard	
		P ² Plug	DF16 16" Diffuse		
		(TRACK)36 ³ Track Adaptor 36" Cord	SC2 Safety Cable, Refractor to Trim		
		(TRACK)120 ³ Track Adaptor 120" Cord			
		NM2 ½" Hub			
		NM3 ¾" Hub			

EXAMPLE: PRDDT12INC/HM36/PR12/MW

NOTES:

1 Specify Length in Inches: See Mounting Page for Available Lengths 2 Specify Plug Style 3 Specify Track Adaptor - See Track Options 4 Contact Factory for Special Finishes 5 Standard Finishes



PROJECT: _____
TYPE: _____



Dimensions and values shown are nominal. Spectrum Lighting continually works to improve products and reserves the right to make changes which may alter the performance or appearance of products.

COLOR OPTIONS - POWDER COAT PAINT FINISHES

NOTE: NO PRINTED IMAGE CAN EQUAL THE EXACT COLOR OF FINISH ON METAL.
SEE INDIVIDUAL SPECIFICATION SHEETS OR CONSULT FACTORY FOR ADDITIONAL INFORMATION.



STANDARD CORD / STEM / CANOPY FINISHES

FIXTURE COLOR	STANDARD CORD COLOR	STANDARD CANOPY / STEM COLOR
Matte White, Textured White	Matte White	Matte White
Gloss White	Matte White	Gloss White
Matte Black, Gloss Black, Textured Black	Matte Black	Matte Black
All Others	Matte Black	Same Color as Fixture
Custom Color	Contact Factory	Contact Factory

PAINT TIMES

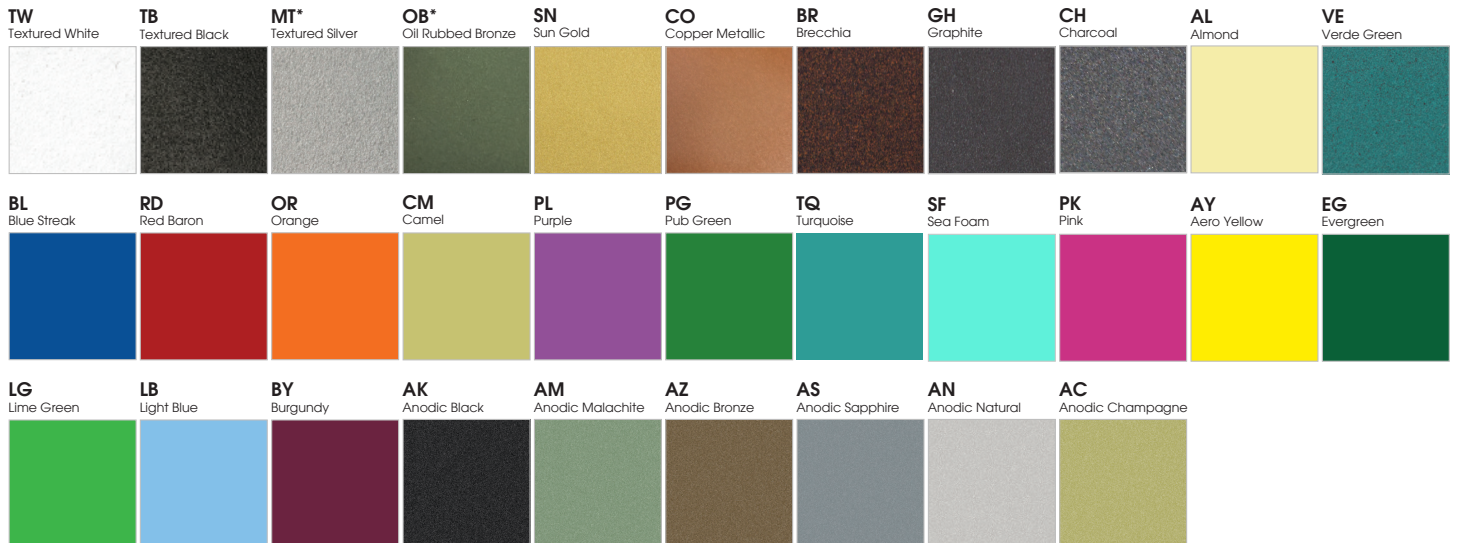
TIER	COST	AVERAGE PAINT TIME*
Tier 1 - Standard Finishes	\$	⌚
Tier 2 - Typical Finishes	\$\$	⌚⌚
Custom Color	Contact Factory	Contact Factory

*CONTACT FACTORY FOR SPECIFIC PRODUCT LEAD TIMES

TIER 1 - STANDARD FINISHES



TIER 2 - TYPICAL FINISHES



CUSTOM COLOR FINISHES

CONTACT FACTORY

CC
Custom Color



*UNAVAILABLE FOR WET LOCATION