



# 6" SQUARE DIRECT FOCUSED ILLUMINATION



## CO611SQXT - CEILING MOUNT

### APPLICATION

6" square x 11" high cylinder luminaire for accent and focused illumination.

### FEATURES

Spectrum's Cylinder series provides traditional architectural style with high performance and energy efficient illumination. Rugged design with flexible mounting, finish and LED options make these extremely versatile fixtures. Quick change LED module with interchangeable optics for job site flexibility and fixture upgrade.

### FINISH

Multi-stage polyester powder-coat process applied on our dedicated paint lines. See mounting and color pages for standard finishes. All exposed materials are chromate pretreated to resist corrosion.

### ELECTRONICS

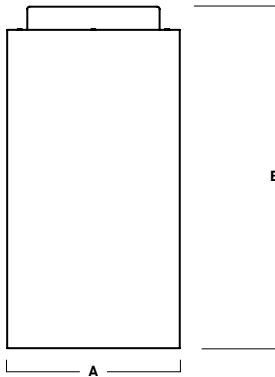
LED system features Xicato LED module with proprietary phosphor technology that provides consistent stable color with CCT control of +/- 100K over life of the light engine. Base CRI is 83 with 2-step MacAdam Ellipse binning. High CRI is 98 with 1 x 2-step MacAdam Ellipse binning. Variety of electronic 120V/277V and dimming drivers.

### CONSTRUCTION

Fabricated seamless aluminum fixture housing. Specular primary reflector provides high efficiency illumination. Stainless steel hardware with galvanized brackets to resist corrosion. Die-cast aluminum trim.

### CODE COMPLIANCE

BAA compliant. ETL certified to meet US and Canadian standards. Suitable for dry or damp locations. Wet Location Option. Manufactured and tested to UL standards No. 1598/8750.



A	B
6.0	12.1
152.4 mm	307.3 mm

Fixture Weight: 8.8 lbs

LUMENS / WATTAGE DATA				
PART NUMBER	SOURCE LUMENS	DELIVERED LUMENS <sup>2</sup>	SYSTEM WATTS <sup>3</sup>	LPW
CO611SQXT10L	1000	910	9.1	100
CO611SQXT13L	1300	1227	13.0	94
CO611SQXT20L	2000	1887	21.7	87
CO611SQXT30L	3000	2831	32.6	87

SERIES	LUMENS <sup>1</sup>	CCT	OPTICS	DRIVER / DIMMING <sup>7</sup>	OPTIONS <sup>8</sup>	TRIM	MOUNTING <sup>13</sup>	FINISH <sup>17</sup>	
CO611SQXT	10L	1000 Lm	83 CRI	XN <sup>6</sup> 12°	EX Electronic Driver, 120V/277V	WL <sup>9</sup> Wet Location	TCY <sup>15</sup> Same Color as Cylinder	HM <sup>14/15</sup> Hang Straight	MW <sup>18</sup> Matte White
	13L	1300 Lm	27K 2700K						
	20L	2000 Lm	30K 3000K	MD 38°	DS10X 10%, 0-10V, 120V/277V	TCC Custom Color	AT <sup>14/15</sup> Hang Straight All Thread	PT <sup>18</sup> Platinum Silver	
	30L <sup>4</sup>	3000 Lm	35K 3500K	WD 43°					DS2W1 ELV/MLV, 120V
			40K 4000K	XW 53°					
			98 CRI <sup>5</sup>						
			27HK 2700K						
			30HK 3000K						
			35HK 3500K						
			40HK 4000K						
						LENS	EMERGENCY BATTERY OPTIONS		
						NL <sup>9</sup> No Lens	EMCR 10W Canopy Mounted EM		
						GL <sup>11</sup> Clear Glass Lens	EMRM 7W Remote EM		
						Micro Prism	EMEN 7W Remote with Enclosure		
						SO <sup>12</sup> Solite™ Lens			
						FG Frosted Glass Lens			

**EXAMPLE:** CO611SQXT13L35KNDEX/TPTGL/HM12/MW

**NOTES:**  
<sup>1</sup> Nominal Source Lumens at Any CCT <sup>2</sup> Nominal Delivered Lumens at 83 CRI at Any CCT with MD-TCY-NL-MW <sup>3</sup> At 83 CRI <sup>4</sup> Open Aperture Only: NL <sup>5</sup> 20L Max <sup>6</sup> 13L Max/XN not Available with 98 CRI Option <sup>7</sup> Contact Factory for Additional Options <sup>8</sup> See Product Options Page for Details <sup>9</sup> Wet Location Unavailable with NL or CD <sup>10</sup> Standard Finish <sup>11</sup> Standard Lens for MD, ND <sup>12</sup> Standard Lens for MD, WD, XW <sup>13</sup> See Mounting Page for Details on Components and Finishes <sup>14</sup> Specify Length in Inches: See Mounting Page for Available Lengths <sup>15</sup> Not for Use in Locations with Wind Exposure <sup>16</sup> EMxxx Option Requires 2 Cords <sup>17</sup> Reference Color Sheet Located on Product Webpage for Full List of Available Colors <sup>18</sup> Standard Finishes



PROJECT: \_\_\_\_\_  
 TYPE: \_\_\_\_\_



Dimensions and values shown are nominal. Spectrum Lighting continually works to improve products and reserves the right to make changes which may alter the performance or appearance of products.

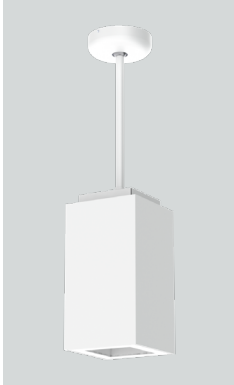
# 6" SQUARE DIRECT

FOCUSED ILLUMINATION / FIXTURE OPTIONS

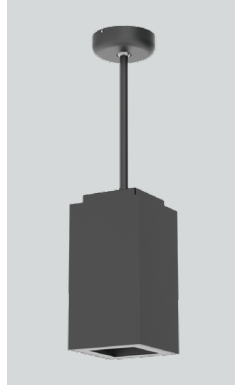


## STANDARD FINISHES

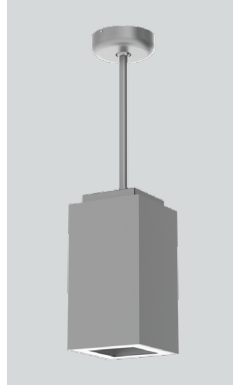
**MW**  
MATTE WHITE



**MB**  
MATTE BLACK

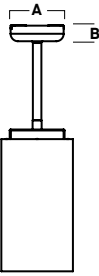
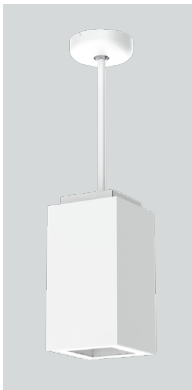


**PT**  
PLATINUM SILVER



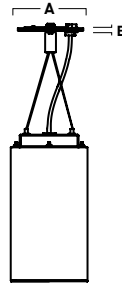
## MOUNTING TYPES

**HM / PM / AT**  
HANG STRAIGHT / PENDANT / ALL THREAD



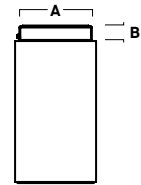
A	B
5.0	1.5
127.0 mm	38.1 mm

**CD4X**  
4 X CORD / CABLE MOUNT



A	B
5.0	.25
127.0 mm	6.4 mm

**SM**  
SURFACE MOUNT



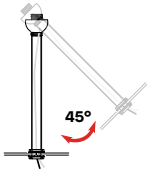
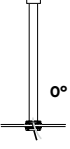
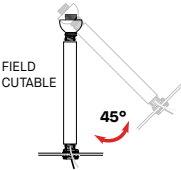
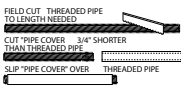
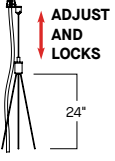
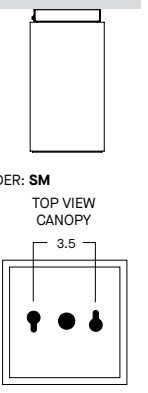
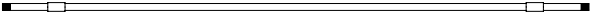
A	B
4.6	1.2
116.8 mm	30.5 mm

# STANDARD MOUNTING & ACCESSORIES

SOME OPTIONS NOT AVAILABLE ON ALL FIXTURES. CONSULT SPECIFICATION SHEETS. SEE INDIVIDUAL SPECIFICATION SHEETS OR CONSULT FACTORY FOR ADDITIONAL INFORMATION.  
NOTE: THIS IS TYPICAL OF CYLINDERS SPECIFICATION FOR PENDANT MOUNTING. INDIVIDUAL FIXTURES OR PROJECTS MAY HAVE SPECIALIZED REQUIREMENTS.

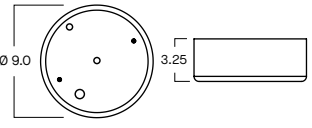


## MOUNTING TYPES

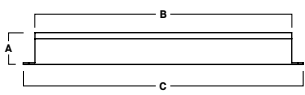
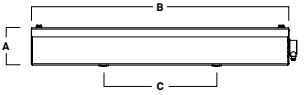
<p><b>HM*</b> HANG STRAIGHT 45° SWIVEL 5/8" OD STEM - 3/8" IP</p>  <p>ORDER: <b>HM</b> (Length) SPECIFY LENGTH: <b>HM3</b> - 3"    <b>HM24</b> - 24" <b>HM6</b> - 6"    <b>HM36</b> - 36" <b>HM12</b> - 12"    <b>HM48</b> - 48" <b>HM18</b> - 18"    <b>HM72</b> - 72" <b>HMLC(XX)</b> Custom Length (Specify in Inches)</p>	<p><b>PM*</b> RIGID PENDANT MOUNT RIGID 5/8" OD STEM - 3/8" IP</p>  <p>ORDER: <b>PM</b> (Length) SPECIFY LENGTH: <b>PM3</b> - 3"    <b>PM24</b> - 24" <b>PM6</b> - 6"    <b>PM36</b> - 36" <b>PM12</b> - 12"    <b>PM48</b> - 48" <b>PM18</b> - 18"    <b>PM72</b> - 72" <b>PMLC(XX)</b> Custom Length (Specify in Inches)</p>	<p><b>AT**</b> HANG STRAIGHT ALL THREAD 45° SWIVEL 5/8" OD STEM - 1/4" IP</p>  <p>ORDER: <b>AT</b> (Length) SPECIFY LENGTH: <b>AT12</b> - 12" <b>AT24</b> - 24" <b>AT36</b> - 36"</p> 	<p><b>CD4X</b> CORD / CABLE MOUNT SJ CORD WITH 1/16 SS CABLE</p>  <p>ORDER: <b>CDX4</b> (Length) SPECIFY LENGTH: <b>CD4x36</b> - 36" <b>CD4x72</b> - 72" <b>CD4x144</b> - 144" <b>CDLC4X(XX)</b> Custom Length (Specify in Inches)</p>	<p><b>SM</b> SURFACE MOUNT WIRING COMPARTMENT / TOP HAT</p>  <p>ORDER: <b>SM</b> TOP VIEW CANOPY 3.5</p> <p>KEY SLOTS MOUNT CANOPY TO WALL JUNCTION BOX. JUNCTION BOX IS COVERED.</p>
<p>*MAXIMUM ONE PIECE STEM LENGTH IS 72". **MAXIMUM ONE PIECE STEM LENGTH IS 36". LONGER LENGTHS ARE POSSIBLE USING MULTIPLE STEMS AND COUPLERS.</p> 				

## EMERGENCY BATTERY OPTIONS

**EMCR** - LARGE DRIVER CANOPY FOR 10W EMERGENCY BATTERY



## REMOTE EMERGENCY BATTERY OPTIONS

<p><b>EMRM*</b> - 7W REMOTE EMERGENCY BATTERY (50' MAX)</p>  <table border="1" data-bbox="581 1213 776 1255"> <thead> <tr> <th>A</th> <th>B</th> <th>C</th> </tr> </thead> <tbody> <tr> <td>1.3</td> <td>12.6</td> <td>13.0</td> </tr> </tbody> </table>	A	B	C	1.3	12.6	13.0	<p><b>EMEN*</b> - 7W REMOTE EMERGENCY BATTERY WITH ENCLOSURE (50' MAX)</p>  <table border="1" data-bbox="938 1213 1133 1255"> <thead> <tr> <th>A</th> <th>B</th> <th>C</th> </tr> </thead> <tbody> <tr> <td>2.0</td> <td>17.0</td> <td>6.2</td> </tr> </tbody> </table>	A	B	C	2.0	17.0	6.2
A	B	C											
1.3	12.6	13.0											
A	B	C											
2.0	17.0	6.2											

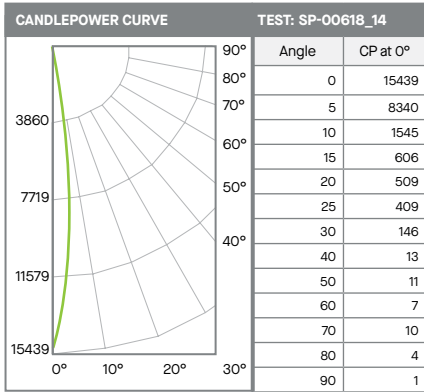
\*OTHER EM BATTERY SIZES AVAILABLE. CONSULT FACTORY

# 6" SQUARE DIRECT

## FOCUSED ILLUMINATION / PHOTOMETRIC DATA



### C0611SQXT-13LxxK-XNEX-TCY-NLMW



ZONAL LUMENS		
0-10	706	56%
0-20	975	77%
0-30	1165	92%
0-40	1232	97%
0-60	1252	98%
0-80	1267	100%
0-90	1271	100%
Total Lumens	1271	100%

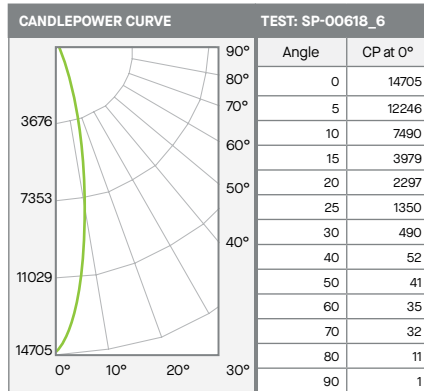
### 13L XTRA NARROW - 83 CRI

SINGLE UNIT: PERFORMANCE INITIAL FOOTCANDLES AND BEAM ANGLE DIAMETERS			
Mounting Height*	FC at Center	Diameter of Beam**	FC at Beam**
5.5'	510	1.2'	252
6.5'	365	1.4'	181
7.5'	274	1.6'	136
8.5'	214	1.8'	106
10.0'	154	2.1'	76
12.0'	107	2.5'	53
14.0'	79	2.9'	39
16.0'	60	3.4'	30

\* From aperture to horizontal surface below.  
\*\* At IESNA defined Beam Angle, to 50% Max. CP.

Delivered Lumens: 1271    CP @ 0° (Nadir): 15439    Spacing Ratio: 0.2  
 Luminaire Watts: 18.4    Beam Angle: 12°    Output Multipliers: 10L x 0.74  
 LER: 69    CRI: 83

### C0611SQXT-30LxxK-NDEX-TCY-NLMW



ZONAL LUMENS		
0-10	1045	31%
0-20	2294	68%
0-30	2985	89%
0-40	3197	95%
0-60	3277	98%
0-80	3341	100%
0-90	3354	100%
Total Lumens	3356	100%

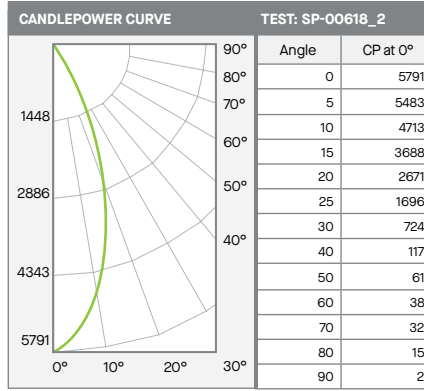
### 30L NARROW - 83 CRI

SINGLE UNIT: PERFORMANCE INITIAL FOOTCANDLES AND BEAM ANGLE DIAMETERS			
Mounting Height*	FC at Center	Diameter of Beam**	FC at Beam**
5.5'	486	2.0'	235
6.5'	348	2.4'	168
7.5'	261	2.8'	126
8.5'	204	3.2'	98
10.0'	147	3.7'	71
12.0'	102	4.5'	49
14.0'	75	5.2'	36
16.0'	57	6.0'	28

\* From aperture to horizontal surface below.  
\*\* At IESNA defined Beam Angle, to 50% Max. CP.

Delivered Lumens: 3356    CP @ 0° (Nadir): 14705    Spacing Ratio: 0.36  
 Luminaire Watts: 32.6    Beam Angle: 21.1°    Output Multipliers: 10L x 0.32, 13L x 0.43, 20L x 0.67  
 LER: 103    CRI: 83

### C0611SQXT-30LxxK-MDEX-TCY-NLMW



ZONAL LUMENS		
0-10	503	18%
0-20	1535	54%
0-30	2359	83%
0-40	2636	93%
0-60	2749	97%
0-80	2816	99%
0-90	2830	100%
Total Lumens	2831	100%

### 30L MEDIUM - 83 CRI

SINGLE UNIT: PERFORMANCE INITIAL FOOTCANDLES AND BEAM ANGLE DIAMETERS			
Mounting Height*	FC at Center	Diameter of Beam**	FC at Beam**
5.5'	191	3.8'	86
6.5'	137	4.4'	61
7.5'	103	5.1'	46
8.5'	80	5.8'	36
10.0'	58	6.8'	26
12.0'	40	8.2'	18
14.0'	30	9.6'	13
16.0'	23	10.9'	10

\* From aperture to horizontal surface below.  
\*\* At IESNA defined Beam Angle, to 50% Max. CP.

Delivered Lumens: 2831    CP @ 0° (Nadir): 5791    Spacing Ratio: 0.62  
 Luminaire Watts: 32.6    Beam Angle: 37.7°    Output Multipliers: 10L x 0.32, 13L x 0.43, 20L x 0.67  
 LER: 87    CRI: 83

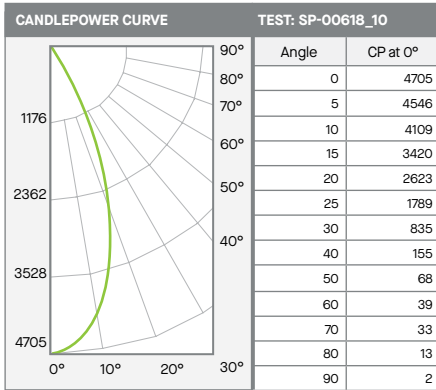
# 6" SQUARE DIRECT

## FOCUSED ILLUMINATION / PHOTOMETRIC DATA



### CO611SQXT-30LxxK-WDEX-TCY-NLMW

### 30L WIDE - 83 CRI



Beam Angle	Lumens	% of Total
0-10	422	15%
0-20	1374	49%
0-30	2230	80%
0-40	2559	92%
0-60	2698	97%
0-80	2768	99%
0-90	2782	100%
Total Lumens	2783	100%

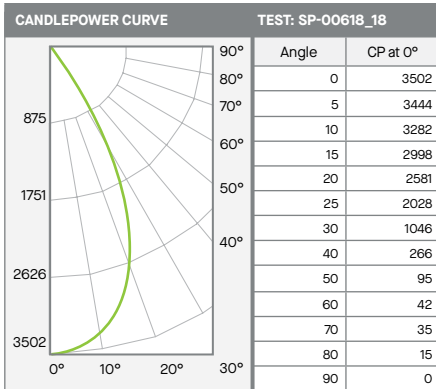
Mounting Height*	FC at Center	Diameter of Beam**	FC at Beam**
5.5'	156	4.3'	67
6.5'	111	5.1'	48
7.5'	84	5.9'	36
8.5'	65	6.7'	28
10.0'	47	7.9'	20
12.0'	33	9.5'	14
14.0'	24	11.1'	10
16.0'	18	12.6'	8

\* From aperture to horizontal surface below.  
\*\* At IESNA defined Beam Angle, to 50% Max. CP.

Delivered Lumens: 2783    CP @ 0° (Nadir): 4705    Spacing Ratio: 0.7  
 Luminaire Watts: 32.6    Beam Angle: 43.1°    Output Multipliers: 10L x 0.32, 13L x 0.43, 20L x 0.67  
 LER: 85    CRI: 83

### CO611SQXT-30LxxK-XWEX-TCY-NLMW

### 30L XTRA WIDE - 83 CRI



Beam Angle	Lumens	% of Total
0-10	324	11%
0-20	1166	41%
0-30	2110	74%
0-40	2557	90%
0-60	2763	97%
0-80	2837	99%
0-90	2853	100%
Total Lumens	2854	100%

Mounting Height*	FC at Center	Diameter of Beam**	FC at Beam**
5.5'	116	5.5'	46
6.5'	83	6.5'	33
7.5'	62	7.4'	25
8.5'	48	8.4'	19
10.0'	35	9.9'	14
12.0'	24	11.9'	10
14.0'	18	13.9'	7
16.0'	14	15.9'	5

\* From aperture to horizontal surface below.  
\*\* At IESNA defined Beam Angle, to 50% Max. CP.

Delivered Lumens: 2854    CP @ 0° (Nadir): 3502    Spacing Ratio: 0.86  
 Luminaire Watts: 32.6    Beam Angle: 52.8°    Output Multipliers: 10L x 0.32, 13L x 0.43, 20L x 0.67  
 LER: 88    CRI: 83