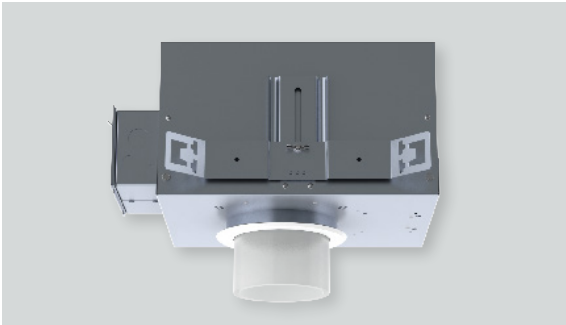




4" ROUND DOWNLIGHT / IC RATED

ILLUMITECH DECORATIVE / 2000 LUMENS



RDFI4XT - DECORATIVE TRIM / IC RATED

APPLICATION

Illumitech decorative recessed series offer two lengths of decorative acrylic cylinder (FACY). Cylinder glows softly to create ambiance.

FEATURES

Two-stage optical system with regressed Solite lens for smooth light distribution. Quick change LED module with interchangeable optics for job site adjustment and fixture maintenance. Shallow plenum design. Tool-less driver and j-box access. Posi-lock trim retention torsion springs.

TRIM FINISH

Decorative cylinder is soft etched UV stabilized cast machined acrylic. Matte White flange is standard.

ELECTRONICS

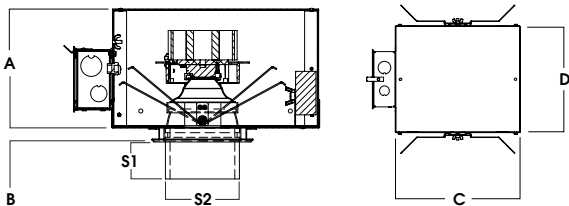
LED system features Xicato LED module with proprietary phosphor technology that provides consistent, stable color with CCT control of +/- 100K over life of the light engine. Base CRI is 83 with 2-step MacAdam Ellipse binning. High CRI is 98 with 1x2-step MacAdam Ellipse binning. Variety of electronic 120V/277V and dimming drivers.

CONSTRUCTION

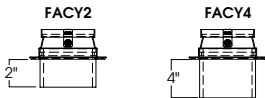
Housing/frame constructed of #20 ga. galvanized steel to resist corrosion. Self-Flanged one piece trim spun from 0.063" thick high purity aluminum and finished to specification.

CODE COMPLIANCE

BAA Compliant. IC rated. ETL certified to meet US and Canadian standards. Suitable for dry or damp locations. Optional Wet location. Manufactured and tested to UL standards No. 1598/8750.



A	B	C	D	TRIM	S1	S2	CUT OUT
6.4 162.6 mm	0.625 15.2 mm	10L-13L: 13.2 20L: 19.2	9.5 241.3 mm	FACY2 FACY4	2.0 4.0	4.0 4.0	4.7 119.4 mm



WATTAGE TO LUMENS UPDATE					
CURRENT PART NUMBER EXAMPLE	PREVIOUS PART NUMBER EXAMPLE	SOURCE LUMENS ¹	DELIVERED LUMENS ²	SYSTEM WATTS	LPW
RDFI4XT10L	RDFI4LEDX115W	1000	554	11.1	49.9
RDFI4XT13L	RDFI4LEDX120W	1300	746	15.0	49.7
RDFI4XT20L	RDFI4LEDX133W	2000	1148	23.7	48.4

SERIES	LUMENS ¹	CCT	OPTICS	DRIVER / VOLTAGE ⁴	OPTIONS ⁵	TRIM	COLOR	CAST ACRYLIC	TRIM OPTIONS		
RD4FXT	83 CRI		XN ³ 10° ND 27° MD 40° WD 45° XW 50°	E_ Electronic Driver DS10_ 10% 0-10V DO10_ 1% 0-10V DS2W1 1% ELV/MLV, 120V DLTE1 1% Lutron® 2-Wire Forward Phase, 120V DL3E_ 1% Lutron® EcoSystem®, Fade EL10_ 1%, eldoLED ED01_ 0.1%, eldoLED	1 120V 2 277V BH27° 27" Solid Bars H12 12" - 24" Expandable Bars H06 6" - 12" Expandable Bars CB24 24" C-Channel Bars EMRM Remote EM Battery Pack FS Fusing EB Black Housing CR Corrosion Resistant PR' Deep Ceiling Extension GR Goof Ring CCEA Chicago Ceiling Plenum Rated AMB Anti Microbial Finish	RD4FXTMWSO ⁶	FA Frosted Clear	CY2 2" Deep Acrylic CY4 4" Deep Acrylic	GS Gasket WL Wet Location		
	10L	1000 Lm								27K	2700K
	13L	1300 Lm								30K	3000K
	20L	2000 Lm								35K	3500K
										40K	4000K
	98 CRI										
	10L	1000 Lm								27HK	2700K
	13L	1300 Lm								30HK	3000K
	20L	2000 Lm								35HK	3500K
										40HK	4000K

EXAMPLE: RD4FXT13L35KMDE1/H12/RD4FXTMWSOFACY4

NOTES:
 1 Nominal Source Lumens at Any CCT 2 Nominal Delivered Lumens 83CRI at Any CCT with MD Beam with FACY4 3 XN 13L Max at 83 and 98 CRI 4 Contact Factory for Additional Options 5 See Product Options Page for Details
 6 Standard Bar Hangers 7 Contact Factory 8 "F" Indicates Self-Flange Trim, Matte White Standard



PROJECT: _____
 TYPE: _____



Dimensions and values shown are nominal. Spectrum Lighting continually works to improve products and reserves the right to make changes which may alter the performance or appearance of products.