



DECORATIVE

VINO PENDANT
DAMP LOCATION
PX SERIES

PROJECT: _____

QUANTITY: _____ TYPE: _____



VP2407PX
 MB - Matte Black



VP2407PX
 BZ - Bronze



VP2407PX
 PT - Platinum Silver



VP2407PX
 MB - Matte Black

SERIES	LUMENS ¹		CCT		DRIVER / DIMMING ²		MOUNTING ³		CORD OPTIONS		FINISH ⁷	
VP2407PX	20L	2000 Lm	30K	3000K	EX	Electronic Driver, 120V/277V	RDC5	Small Driver Canopy	STANDARD CORDS		MW ⁸	Matte White
	40L	4000 Lm	35K	3500K	D010X	1%, 0-10V, 120V/277V	HM ⁴	Hang Straight	CW	White	MB ⁸	Matte Black
	60L	6000 Lm			DS10X	10%, 0-10V, 120V/277V	AT ⁴	Hang Straight All Thread	CB	Black	CC	Custom Color
							PM ⁴	Rigid Pendant Mount	CS	Silver		
							CD ⁴	Cord / Cable Mount	DECORATIVE CORDS ⁶			
							CM ⁴	Cord Mount	See Page 5 for Decorative Braided Color Cords			See Page 5 for Full Range of Color Options (83-90084)
							EMCR ⁵	10W Canopy Mounted EM				
							EMRM	7W Remote EM				
							EMEN	7W Remote with Enclosure				

EXAMPLE: VP2407PX20L30KEXRDC5HM36JR

NOTES:
 1 Nominal Source Lumens at 35K 2 Contact Factory for Additional Options 3 See Mounting Pages for EM Options and Details on Components and Finishes 4 Specify Length in Inches: See Mounting Page for Available Lengths 5 EMCR Replaces RDC5 6 Decorative Cord 120" Max Length 7 See Color Page for More Options/Consult Factory for Special Finishes 8 Standard Finishes





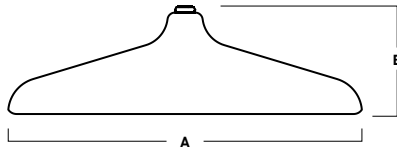
VINO PENDANT
DAMP LOCATION
PX SERIES

DECORATIVE

WATTAGE / LUMENS DATA				
PART NUMBER	SOURCE LUMENS ¹	DELIVERED LUMENS ²	SYSTEM WATTS	LPW
VP2407PX20L	2000	1502	14	107
VP2407PX40L	4000	3072	28	110
VP2407PX60L	6000	4846	44	110

¹ Nominal Source Lumens at 35K ² Nominal Delivered Lumens at 35K

HOUSING DIMENSIONS



A	B
24.1 612.1 mm	7.2 182.8 mm

FEATURES

APPLICATION

Vino pendant with evenly illuminated lens for performance decorative lighting.

FEATURES

Specolume series fixtures offer contemporary style with functional luminaire performance. All fixtures are designed and manufactured in our factory. LED Driver in canopy for thermal management. A variety of mounting options are available.

ELECTRONICS

LED system features high brightness white Samsung LEDs. 3-step MacAdam Ellipse binning. Standard CRI: 80+. Higher CRI, other CCT's, R9 and custom LED configurations are available; consult factory. Variety of electronic 120V/277V and dimming drivers.

CONSTRUCTION

Fixtures are spun in our factory from 0.060 high purity aluminum.

FINISH

Multi-stage polyester powder-coat process applied on our dedicated paint lines. See mounting and color pages for standard finishes. Special tri-cut process for "J" series finish produces rich, semi-translucent finish. Interior finished Matte White for maximum optical performance and lens uniformity.

CODE COMPLIANCE

BAA compliant. ETL certified to meet US and Canadian standards. Suitable for dry or damp locations. Manufactured and tested to UL standards No. 1598/8750.

CEILING MOUNT

(SEE MOUNTING PAGES FOR MORE OPTIONS & CANOPY DIMENSIONS.)

HM / AT / PM

HANG STRAIGHT / ALL THREAD / PENDANT



VP2407PX SHOWN WITH RDC5PM

CD

CORD / CABLE MOUNT



VP2407PX SHOWN WITH RDC5CD

CM

CORD MOUNT



VP2407PX SHOWN WITH RDC5CM





VINO PENDANT

DAMP LOCATION

PX SERIES / PHOTOMETRIC DATA

DECORATIVE

VP2407PX-60L-35K-EX-xx

CANDLEPOWER CURVE	INTENSITY	ZONAL LUMENS	SINGLE UNIT: PERFORMANCE INITIAL FOOTCANDLES BASED ON IES BEAM ANGLE				MULTIPLE UNITS: PERFORMANCE 80/50/20% REFLECTANCES INITIAL FOOTCANDLES AND WATTS PER SQUARE FOOT								
	0.00°				Mounting Height AFF	FC at Center on Floor	Beam Diameter	FC at Beam Edge	Ceiling Height	Fixture Spacing	RCR 1		RCR 3		
	0.00°	1,679	0° - 10°	161	3%						FC +	W/Sq. Ft.	FC +	W/Sq. Ft.	
	5.00°	1,670	0° - 20°	616	13%	8.0'	26 fc	23.9'	8 fc	18'	12'	31	0.28	19	0.23
	10.00°	1,646	0° - 30°	1,305	27%	10.0'	17 fc	29.9'	5 fc	22'	14'	26	0.23	20	0.23
	15.00°	1,610	0° - 40°	2,136	44%	12.0'	12 fc	35.8'	3 fc	26'	16'	20	0.18	13	0.15
	20.00°	1,557	0° - 60°	3,780	78%	14.0'	9 fc	41.8'	2 fc	Delivered Illuminance Rating: (DIR)		111 FC per W/Sq. Ft.		85 FC per W/Sq. Ft.	
	30.00°	1,415	0° - 80°	4,743	98%	16.0'	7 fc	47.8'	2 fc	3' Suspension Length Square rooms used for multiple units: - RCR 1: Length & Width = Ceiling Ht. - 5.5' x 10.00 - RCR 3: Length & Width = Ceiling Ht. - 5.5' x 3.33 + Average Footcandles at 2.5' Above Floor					
	40.00°	1,229	0° - 90°	4,846	100%	20.0'	4 fc	59.7'	1 fc						
	50.00°	1,001	Total	4,846	100%	24.0'	3 fc	71.7'	1 fc						
	60.00°	746				28.0'	2 fc	83.6'	1 fc						
	70.00°	477													
80.00°	214														
90.00°	2														
Delivered Lumens: 4,846 Luminaire Watts: 44 LER: 110.14			CP at 0deg (Nadir): 1,679 CRI: 80+			Beam Angle: 113.06 Spacing Ratio: 1.25			Lumen Multiplier: 20L x 0.31, 40L x 0.63 CCT Multiplier: 30K x 0.98						

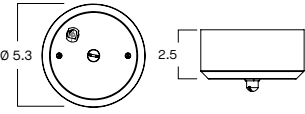
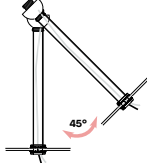
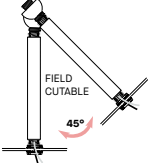

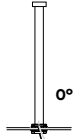
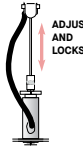



MOUNTING & ACCESSORIES

SOME OPTIONS NOT AVAILABLE ON ALL FIXTURES. CONSULT SPECIFICATION SHEETS. SEE INDIVIDUAL SPECIFICATION SHEETS OR CONSULT FACTORY FOR ADDITIONAL INFORMATION.
NOTE: THIS IS TYPICAL OF SPECLUME SPECIFICATION FOR PENDANT MOUNTING. INDIVIDUAL FIXTURES OR PROJECTS MAY HAVE SPECIALIZED REQUIREMENTS.



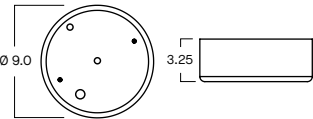
CEILING MOUNTING

<p>RDC5 - SMALL DRIVER CANOPY (STANDARD) MOUNTS TO 4" OCTO J-BOX</p> 	<p>HM* HANG STRAIGHT 45° SWIVEL 1/2" STEM - 3/8" NPT</p>  <p>ORDER: HM (Length) SPECIFY LENGTH: HM3 - 3" HM24 - 24" HM6 - 6" HM36 - 36" HM12 - 12" HM48 - 48" HM18 - 18" HM72 - 72" HMLC(XX) Custom Length (Specify in Inches)</p>	<p>AT** HANG STRAIGHT ALL THREAD 45° SWIVEL 1/2" STEM - 1/4" IP</p>  <p>ORDER: AT (Length) SPECIFY LENGTH: AT12 - 12" AT48 - 48" AT24 - 24" AT60 - 60" AT36 - 36" AT72 - 72"</p> <p><small>FIELD CUT THE SCHEDULED PIPE TO LENGTH NEEDED. CUT PIPE COVER IS SHORTER THAN THE SCHEDULED PIPE. SLIP PIPE COVER OVER THREADED PIPE.</small></p> 	<p>PM* RIGID PENDANT MOUNT RIGID 1/2" STEM - 3/8" NPT</p>  <p>ORDER: PM (Length) SPECIFY LENGTH: PM3 - 3" PM24 - 24" PM6 - 6" PM36 - 36" PM12 - 12" PM48 - 48" PM18 - 18" PM72 - 72" PMLLC(XX) Custom Length (Specify in Inches)</p>	<p>CD CORD / CABLE MOUNT SJ CORD WITH 1/16 SS CABLE</p>  <p>ORDER: CD (Length) SPECIFY LENGTH: CD36 - 36" CD72 - 72" CD144 - 144" CDLC(XX) Custom Length (Specify in Inches) 120" Max Length for Decorative Cords</p>	<p>CM CORD MOUNT SJ CORD WITH STRAIN RELIEF</p>  <p>ORDER: CM (Length) SPECIFY LENGTH: CM36 - 36" CM72 - 72" CM144 - 144" CMLC(XX) Custom Length (Specify in Inches) 120" Max Length for Decorative Cords</p>
-------------------------------------------------------------------------------------------------------------------------------------------------------------------	----------------------------------------------------------------------------------------------------------------------------------------------------------------------------------------------------------------------------------------------------------------------------------------------------------------------------------------------------------------------------------------------	----------------------------------------------------------------------------------------------------------------------------------------------------------------------------------------------------------------------------------------------------------------------------------------------------------------------------------------------------------------------------------------------------------------------------------------------------------------------------------------------------------------------------------------------------------------	-------------------------------------------------------------------------------------------------------------------------------------------------------------------------------------------------------------------------------------------------------------------------------------------------------------------------------------------------------------------------------------------------	-----------------------------------------------------------------------------------------------------------------------------------------------------------------------------------------------------------------------------------------------------------------------------------------------------------------------------------------------------------------------	---------------------------------------------------------------------------------------------------------------------------------------------------------------------------------------------------------------------------------------------------------------------------------------------------------------------------------------------------------------

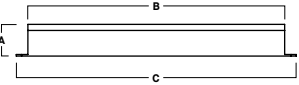
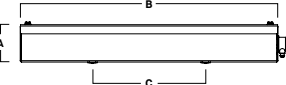
*MAXIMUM ONE PIECE STEM LENGTH IS 72". **MAXIMUM ONE PIECE STEM LENGTH IS 36". LONGER LENGTHS ARE POSSIBLE USING MULTIPLE STEMS AND COUPLERS.

EMERGENCY BATTERY OPTIONS

EMCR - LARGE DRIVER CANOPY FOR LOW EMERGENCY BATTERY (FOR ROUND CEILING MOUNT TYPES)



REMOTE EMERGENCY BATTERY OPTIONS

<p>EMRM* - 7W REMOTE EMERGENCY BATTERY (50' MAX)</p>  <table border="1" data-bbox="573 1024 764 1066"> <thead> <tr> <th>A</th> <th>B</th> <th>C</th> </tr> </thead> <tbody> <tr> <td>1.3</td> <td>12.6</td> <td>13.0</td> </tr> </tbody> </table>	A	B	C	1.3	12.6	13.0	<p>EMEN* - 7W REMOTE EMERGENCY BATTERY WITH ENCLOSURE (50' MAX)</p>  <table border="1" data-bbox="935 1024 1127 1066"> <thead> <tr> <th>A</th> <th>B</th> <th>C</th> </tr> </thead> <tbody> <tr> <td>2.0</td> <td>17.0</td> <td>6.2</td> </tr> </tbody> </table>	A	B	C	2.0	17.0	6.2
A	B	C											
1.3	12.6	13.0											
A	B	C											
2.0	17.0	6.2											

*OTHER EM BATTERY SIZES AVAILABLE, CONSULT FACTORY



COLOR OPTIONS - POWDER COAT PAINT FINISHES



STANDARD CORD / STEM / CANOPY FINISHES

FIXTURE COLOR	STANDARD CORD COLOR	STANDARD CANOPY / STEM COLOR
Matte White, Textured White	Matte White	Matte White
Gloss White	Matte White	Gloss White
Matte Black, Gloss Black, Textured Black	Matte Black	Matte Black
All Others	Matte Black	Same Color as Fixture
Custom Color	Contact Factory	Contact Factory

PAINT TIMES

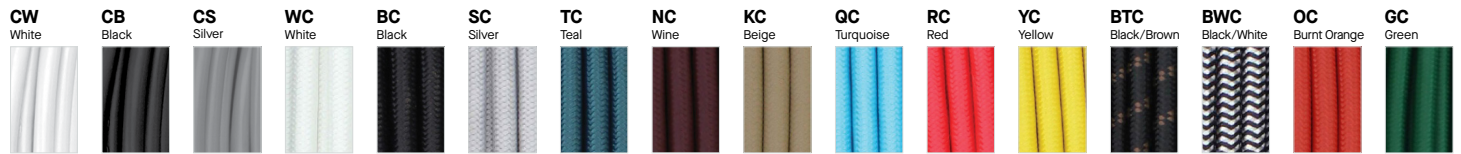
TIER	COST	AVERAGE PAINT TIME*
Tier 1 - Standard Finishes	\$	⌚
Tier 2 - Typical Finishes	\$\$	⌚⌚
Custom Color	Contact Factory	Contact Factory

*CONTACT FACTORY FOR SPECIFIC PRODUCT LEAD TIMES

CORD OPTIONS

STANDARD VINYL CORDS

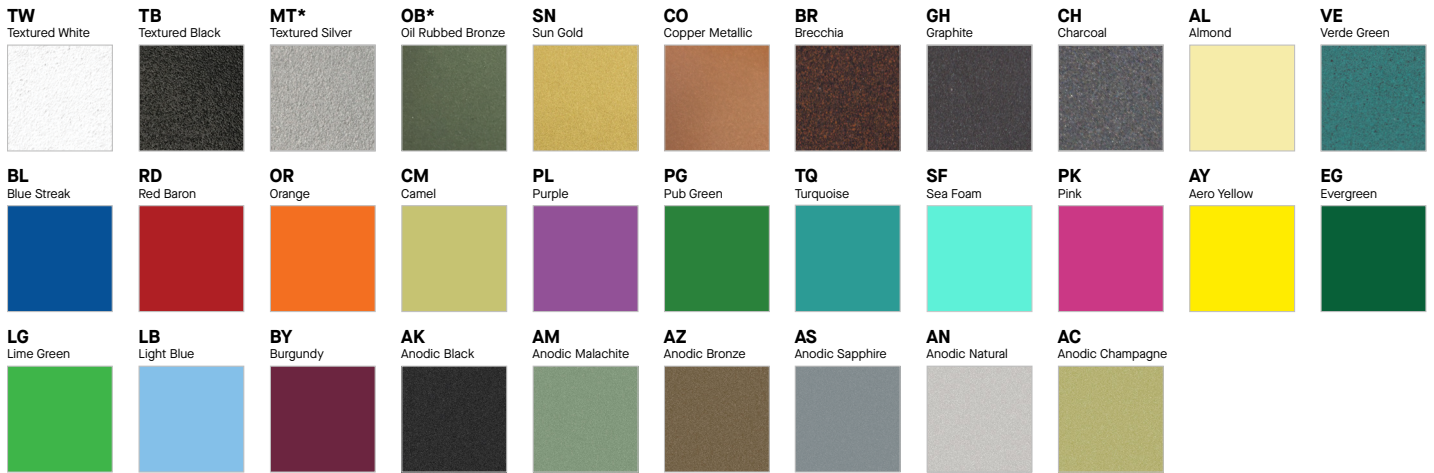
DECORATIVE BRAIDED COLOR CORDS



TIER 1 - STANDARD FINISHES



TIER 2 - TYPICAL FINISHES



CUSTOM COLOR FINISHES

CONTACT FACTORY

CC Custom Color

