

12" SQUARE DIRECT

GENERAL ILLUMINATION



C1210SQGV - CEILING MOUNT

APPLICATION

12" square x 10" high cylinder series for general illumination.

FEATURES

Spectrum's Cylinder series provides traditional architectural style with high performance and energy efficient illumination. Rugged design with flexible mounting, finish and LED options make these extremely versatile fixtures. Single stage optical system design delivers smooth general illumination.

FINISH

Multi-stage polyester powder-coat process applied on our dedicated paint lines. See mounting and color pages for standard finishes. All exposed materials are chromate pretreated to resist corrosion.

ELECTRONICS

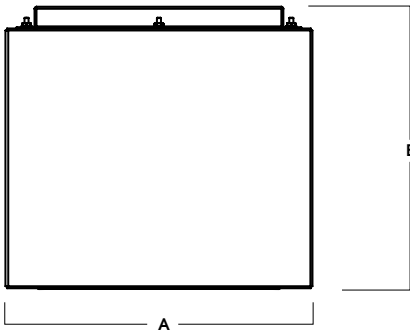
GV LED system features high brightness white Samsung LED's. 3-step MacAdam Ellipse binning. Standard CRI: 85+. Higher CRI, R9 and custom LED configurations are available; consult factory. Variety of electronic 120V/277V and dimming drivers.

CONSTRUCTION

Fabricated seamless aluminum fixture housing. Stainless steel hardware with galvanized steel brackets to resist corrosion. Trim formed from .063 thick high purity aluminum and finished to specification.

CODE COMPLIANCE

BAA compliant. ETL certified to meet US and Canadian standards. Suitable for dry or damp locations. Wet Location Option. Manufactured and tested to UL standards No. 1598/8750.



A	B
12.0	11.0
304.8 mm	279.4 mm

LUMENS / WATTAGE DATA				
PART NUMBER	SOURCE LUMENS ¹	DELIVERED LUMENS ²	SYSTEM WATTS	LPW
C1210SQGV15L	1500	1031	10	103
C1210SQGV27L	2700	1800	18	100
C1210SQGV37L	3700	2641	26	102
C1210SQGV55L	5500	3890	39	100

SERIES	LUMENS ¹	CCT	DRIVER / DIMMING ³	OPTIONS ⁷	TRIM	MOUNTING ¹¹	FINISH ¹⁶
C1210SQGV	15L 1500 Lm	27K 2700K	EX Electronic Driver, 120V/277V	FS Fuse Holder and Fuse	TCY ⁹ Same Color as Cylinder	HM ^{12/13} Hang Straight	MW ¹⁷ Matte White
	27L 2700 Lm	30K 3000K	DS10X 10%, 0-10V, 120V/277V	WL ⁸ Wet Location	TMW Matte White	PM ^{12/13} Rigid Pendant Mount	MB ¹⁷ Matte Black
	37L 3700 Lm	35K 3500K	DO10X 1%, 0-10V, 120V/277V		TPT Platinum Silver	AT ^{12/13} Hang Straight All Thread	PT ¹⁷ Platinum
	55L 5500 Lm	40K 4000K	DS2WI ELV / MLV, 120V		TCC Custom Color	CD4X ^{8/12/14} 4X Cord / Cable Mount	CC Silver
		50K 5000K	DLTE1 ⁴ Lutron 2-Wire Forward Phase (MLV), 120V			SM Surface Mount	
			DL3EX ⁵ 1% Lutron® EcoSystem® Fade, 120V/277V		LENS	EMERGENCY BATTERY OPTIONS	See Page 5 for Full Range of Color Options (83-90095)
			ED01X 0.1% eldoLED 120V/277V		SO ¹⁰ Micro Prism SoliTe™ Lens	EMIT ¹⁵ 7W Emergency Battery Test Switch	
			DALIX DALI Control		FG Frosted Glass Lens	EMRM 7W Remote EM	
			DMXS ^{5/6} DMX Standard Configuration				
			DMXC ^{5/6} DMX Non-Standard Custom				

EXAMPLE: C1210SQGV55L35KEX/TMWSO/SM/MW

NOTES:
 1 Nominal Source Lumens at 35K 2 Nominal Delivered Lumens at 35K with TSG-SO 3 Contact Factory for Additional Options 4 37L Max 5 Contact Factory 6 CQD Required for DMXS/C 7 See Product Options Page For Details
 8 Wet Location Unavailable with CD 9 Standard Finish 10 Standard Lens 11 See Mounting Page for Details on Components and Finishes 12 Specify Length in Inches: See Mounting Page for Available Lengths 13 Not for Use in Locations with Wind Exposure 14 EMxxxx Option Requires 2 Cords/Not Available for WL 15 EMIT Up to 37L 16 See Color Page for More Options/Consult Factory for Special Finishes 17 Standard Finishes



PROJECT: _____
 TYPE: _____



Dimensions and values shown are nominal. Spectrum Lighting continually works to improve products and reserves the right to make changes which may alter the performance or appearance of products.

12" SQUARE DIRECT

GENERAL ILLUMINATION / FIXTURE OPTIONS



STANDARD FINISHES

MW
MATTE WHITE



MB
MATTE BLACK

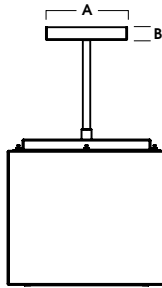
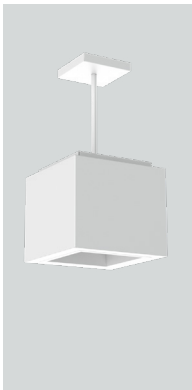


PT
PLATINUM SILVER



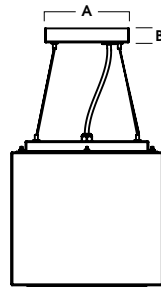
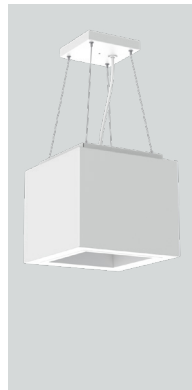
MOUNTING TYPES

HM / PM / AT
HANG STRAIGHT / PENDANT / ALL THREAD



A	B
6.5	1.5
165.4 mm	38.1 mm

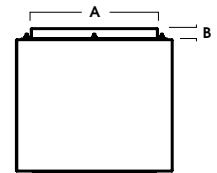
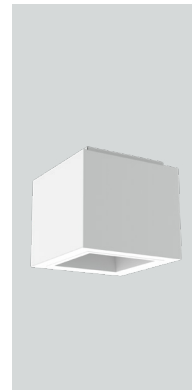
CD4X
4X CORD / CABLE MOUNT



A	B
6.5	1.5
165.4 mm	38.1 mm

*Not Available for Wet Location

SM
SURFACE MOUNT



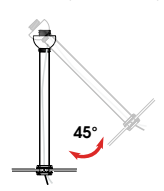
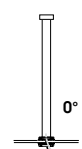
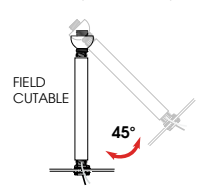
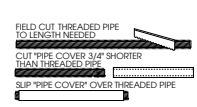
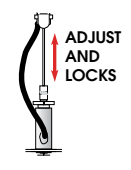
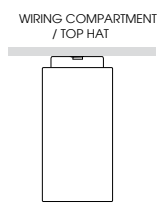
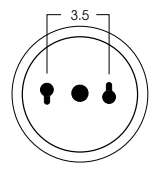
A	B
9.7	.85
246.4 mm	21.6 mm

STANDARD MOUNTING & ACCESSORIES

SOME OPTIONS NOT AVAILABLE ON ALL FIXTURES. CONSULT SPECIFICATION SHEETS. SEE INDIVIDUAL SPECIFICATION SHEETS OR CONSULT FACTORY FOR ADDITIONAL INFORMATION. NOTE: THIS IS TYPICAL OF CYLINDERS SPECIFICATION FOR PENDANT MOUNTING. INDIVIDUAL FIXTURES OR PROJECTS MAY HAVE SPECIALIZED REQUIREMENTS.



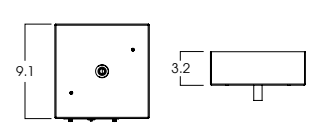
MOUNTING TYPES

<p>HM* HANG STRAIGHT 45° SWIVEL 5/8" OD STEM - 3/8" IP</p>  <p>ORDER: HM (Length) SPECIFY LENGTH: HM3 - 3" HM24 - 24" HM6 - 6" HM36 - 36" HM12 - 12" HM48 - 48" HM18 - 18" HM72 - 72" HMLC(XX) Custom Length (Specify in Inches)</p>	<p>PM* RIGID PENDANT MOUNT RIGID 5/8" OD STEM - 3/8" IP</p>  <p>ORDER: PM (Length) SPECIFY LENGTH: PM3 - 3" PM24 - 24" PM6 - 6" PM36 - 36" PM12 - 12" PM48 - 48" PM18 - 18" PM72 - 72" PMLC(XX) Custom Length (Specify in Inches)</p>	<p>AT** HANG STRAIGHT ALL THREAD 45° SWIVEL 5/8" OD STEM - 1/4" IP</p>  <p>ORDER: AT (Length) SPECIFY LENGTH: AT12 - 12" AT24 - 24" AT36 - 36"</p> 	<p>CD CORD / CABLE MOUNT SJ CORD WITH 1/16 SS CABLE</p>  <p>ORDER: CD (Length) SPECIFY LENGTH: CD36 - 36" CD72 - 72" CD144 - 144" CDLC(XX) Custom Length (Specify in Inches)</p>	<p>SM SURFACE MOUNT WIRING COMPARTMENT / TOP HAT</p>  <p>ORDER: SM TOP VIEW CANOPY 3.5</p>  <p>KEY SLOTS MOUNT CANOPY TO WALL JUNCTION BOX. JUNCTION BOX IS COVERED.</p>
--	---	--	---	--

*MAXIMUM ONE PIECE STEM LENGTH IS 72". **MAXIMUM ONE PIECE STEM LENGTH IS 36". LONGER LENGTHS ARE POSSIBLE USING MULTIPLE STEMS AND COUPLERS.

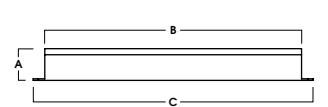
DMX OPTION

CQD - LARGE DRIVER CANOPY FOR DMX OPTIONS



REMOTE EMERGENCY BATTERY OPTIONS

EMRM* - 7W REMOTE EMERGENCY BATTERY (60' MAX)



A	B	C
1.3	12.6	13.0

*OTHER EM BATTERY SIZES AVAILABLE. CONSULT FACTORY

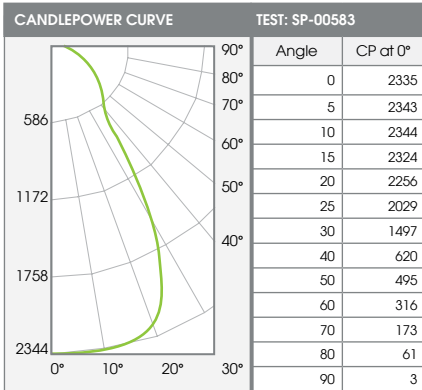
12" SQUARE DIRECT

GENERAL ILLUMINATION / PHOTOMETRIC DATA



C1210SQGV-55L35K-EX-TSG-SO

55L - 85 CRI



ZONAL LUMENS		
0-10	223	6%
0-20	881	23%
0-30	1852	48%
0-40	2643	68%
0-60	3481	89%
0-80	3858	99%
0-90	3890	100%
Total Lumens	3890	100%

SINGLE UNIT: PERFORMANCE			
INITIAL FOOTCANDLES AND BEAM ANGLE DIAMETERS			
Mounting Height*	FC at Center	Diameter of Beam**	FC at Beam**
5.5'	77	7.1'	27
6.5'	55	8.4'	20
7.5'	42	9.7'	15
8.5'	32	11.0'	11
10.0'	23	12.9'	8
12.0'	16	15.5'	6
14.0'	12	18.0'	4
16.0'	9	20.6'	3

* From aperture to horizontal surface below.
 ** At IESNA defined Beam Angle, to 50% Max. CP.

Delivered Lumens: 3890
 Luminaire Watts: 39
 LER: 100

CP @ 0° (Nadir): 2335
 Beam Angle: 65.6°
 CRI: 84

Spacing Ratio: 1.08
 Output Multipliers: 15L x 0.27, 27L x 0.46, 37L x 0.68

COLOR OPTIONS - POWDER COAT PAINT FINISHES

NOTE: NO PRINTED IMAGE CAN EQUAL THE EXACT COLOR OF FINISH ON METAL.
SEE INDIVIDUAL SPECIFICATION SHEETS OR CONSULT FACTORY FOR ADDITIONAL INFORMATION.



STANDARD CORD / STEM / CANOPY FINISHES

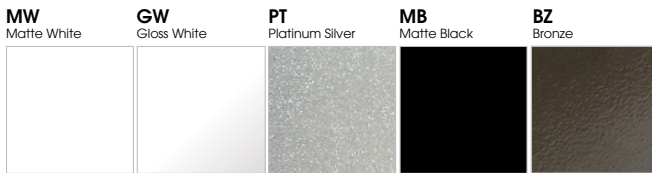
FIXTURE COLOR	STANDARD CORD COLOR	STANDARD CANOPY / STEM COLOR
Matte White, Textured White	Matte White	Matte White
Gloss White	Matte White	Gloss White
Matte Black, Textured Black	Matte Black	Matte Black
All Others	Matte Black	Same Color as Fixture
Custom Color	Contact Factory	Contact Factory

PAINT TIMES

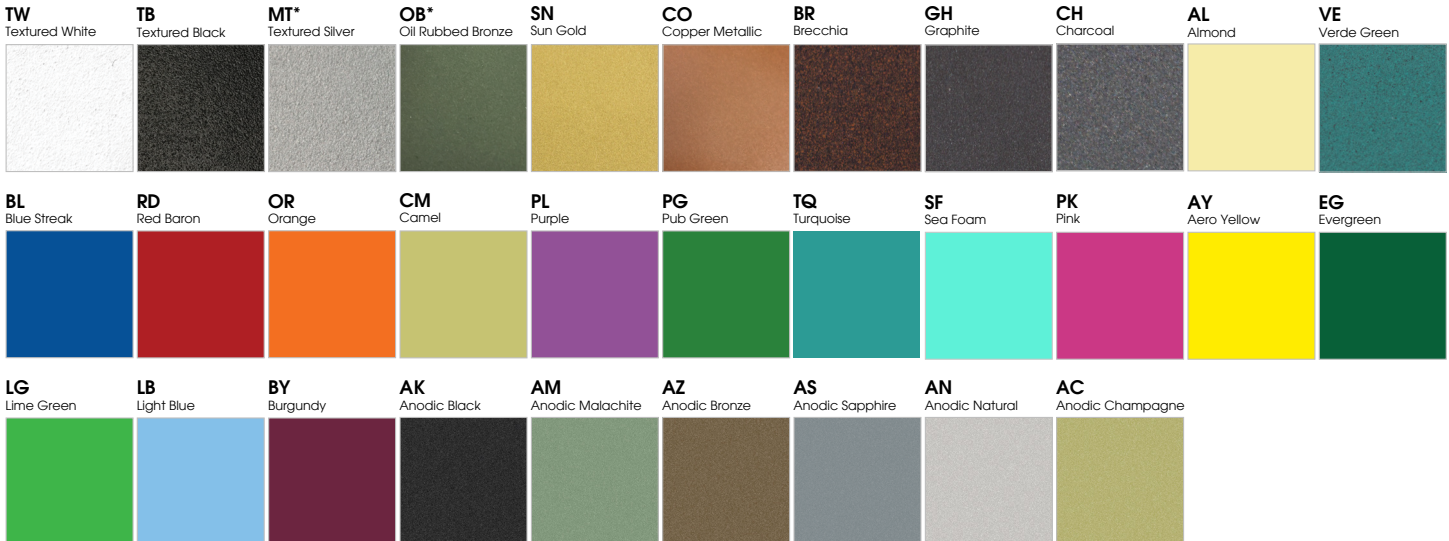
TIER	COST	AVERAGE PAINT TIME*
Tier 1 - Standard Finishes	\$	⌚
Tier 2 - Typical Finishes	\$\$	⌚⌚
Custom Color	Contact Factory	Contact Factory

*CONTACT FACTORY FOR SPECIFIC PRODUCT LEAD TIMES

TIER 1 - STANDARD FINISHES



TIER 2 - TYPICAL FINISHES



CUSTOM COLOR FINISHES

CONTACT FACTORY

CC
Custom Color



*UNAVAILABLE FOR WET LOCATION