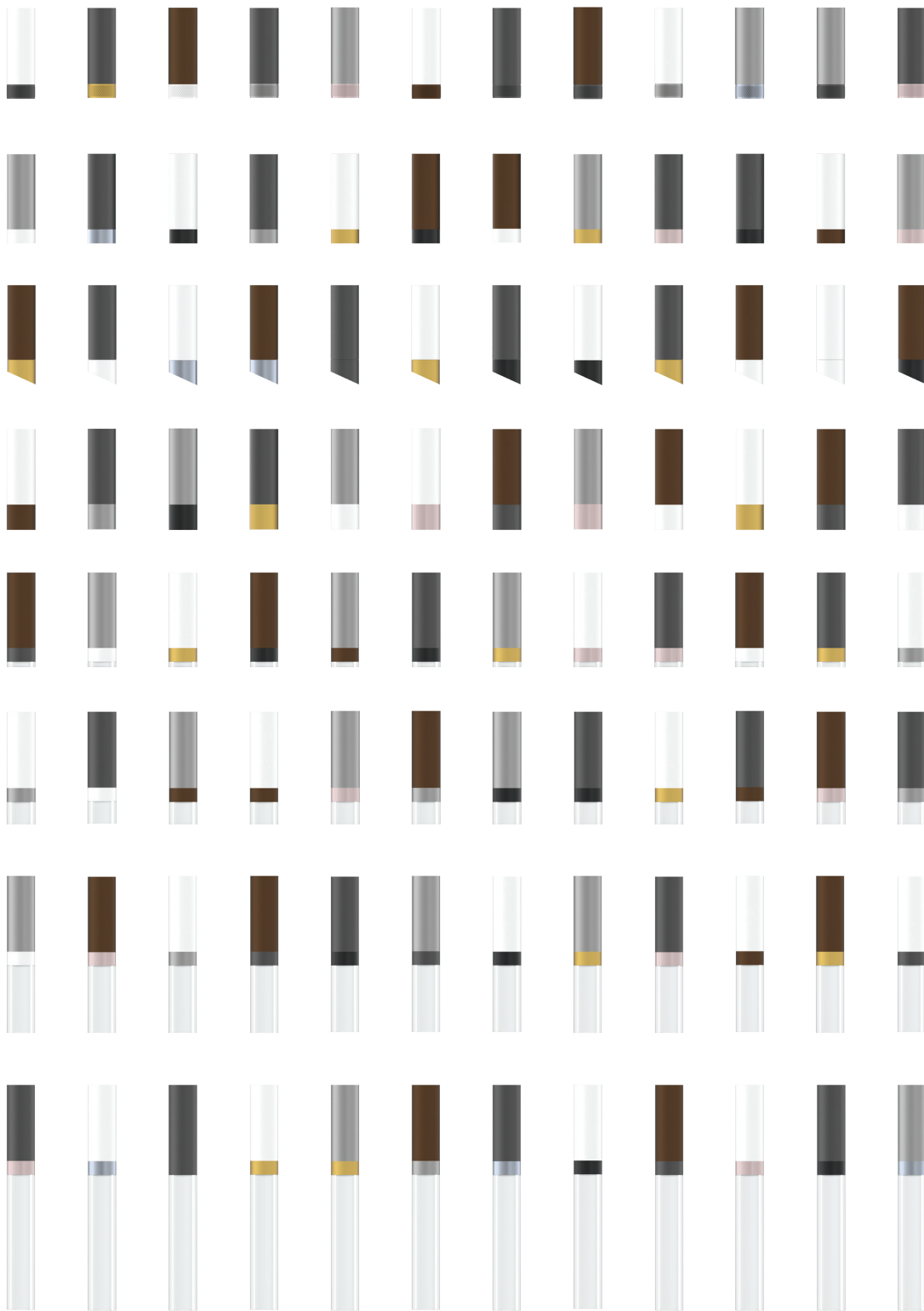


# CR2

The ultimate cylindrical lighting instrument, small and powerful, visually attractive yet unobtrusive. Small enough to disappear into the architectural background but also capable of being an architectural feature.



A myriad of options and accessories to choose from.





# CR2

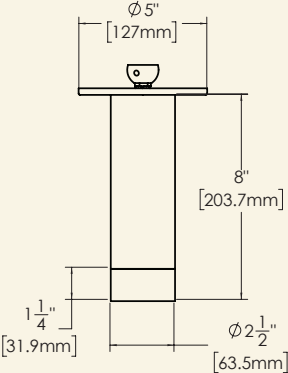
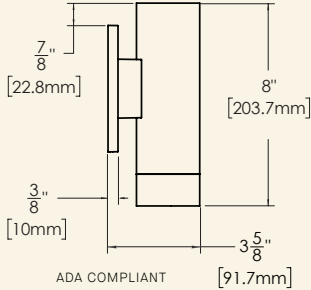
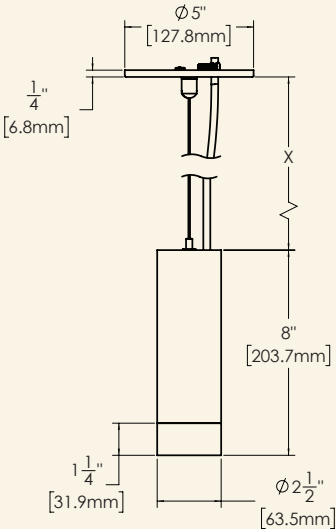
Machined from billet aluminum in our factory, the CR2 series is executed within fine manufacturing tolerances to insure the fit and finish of all components, resulting in the luminaire's extremely clean appearance. Our ultra-slim mounting systems and tool-free canopy, with no visible hardware carry the minimalist details to the ceiling. Nothing but clean edges and smooth beam patterns.

---

# EXTREMELY SMALL DIAMETER



ACTUAL SIZE







CR2, the ultimate cylindrical lighting instrument: small and powerful, visually striking yet unobtrusive and small enough to disappear into the architectural background. When fitted with decorative bezels and/or our luminous frosted accent acrylics the CR2 is also capable of being an architectural feature. Set the mood with warm dim LEDs or choose from five kelvin temperatures at 80 CRI or from four kelvin temperatures at 90 CRI.





# SUPERIOR PERFORMANCE

The standard CR2 is available in multiple beam patterns and lumen outputs in concert with the array of available CCT emitters. This makes CR2 a perfect tool to light any space. Whether it be a reception area, hallway, accent wall, or open space. CR2 has the highest efficacy on the market, up to 116 Lm/W. This makes the CR2 viable for ceiling heights from 8' to 26' and still deliver enough lumens to smoothly illuminate the space.



CR2 is compatible with all relevant architectural dimming systems. This allows confidence in specification of the CR2 series regardless of what dimming system is being employed, giving the end user total control of their lighting system.

CR2 is also a very Green system with Energy Star approval, engineered to meet all California Title 24 standards, low energy consumption, and recyclable materials.

1. COB LED, 2SDCM, multiple CRI and lumen packages.
2. Five optics available, including wall wash.
3. Optical effect holding spring.
4. Multiple optical effect lenses available.
5. Hex Cell optical effect.
6. Multiple bezels available, standard bezel shown.



ACTUAL SIZE

At Spectrum we have always charted our own course, with deep lighting knowledge to share and an appetite for discovering new possibilities. Our independence gives us the freedom to explore and be responsive, and our desire to listen and truly understand your needs allows us to guide you to remarkable results.

### LUMENS AND WATTAGE

All Values Based on 3500K, 80CRI, FL Beam Spread, BS Standard Bezel

PART NUMBER	LUMENS	DELIVERED LUMENS	SYSTEM WATTS	LPW
CR2	05	750	6.9	110
CR2	10	1200	12.4	97
CR2	15	1830	19.3	95
CR2	20	2320	26.7	87

### STANDARD CORD / STEM / CANOPY FINISHES

SM & WM canopies match fixture color.

FIXTURE COLOR	CORD COLOR	CANOPY / STEM COLOR
Textured White	White	Matte White
Textured Black	Black	Matte Black
Textured Silver	Silver	Platinum
Textured Bronze	Black	Matte Black
Custom Color	Contact Factory	Contact Factory

### BODY FINISH



### BEZEL FINISH



### PRODUCT SELECTOR GUIDE

SERIES	CRI / CCT	LUMENS <sup>2</sup>	VOLTAGE	DIMMING	MOUNTING	FINISH	EM OPTIONS	MTG OPTIONS	SERIES	OPTICS	SERIES	BEZEL TYPE	BEZEL FINISH	SERIES	OPTICAL EFFECT
CR2									RD2		RB2			RA2	
EXAMPLE															
CR2	835	10	X	D5	CD	TB			RD2	FL	RB2	BK	TB	RA2	LS

SERIES	CRI / CCT	LUMENS <sup>2</sup>	VOLTAGE / DIMMING	MOUNTING	BODY FINISH	EM OPTIONS	MOUNTING OPTIONS
CR2	80 CRI	05 - 750 Lm 10 - 1200 Lm 15 - 1830 Lm 20 <sup>3</sup> - 2320 Lm	X - Universal 3 <sup>4</sup> - 347V  4 347V Requires RRM, SRM, Or CK Mounting Option, 347V Not Available With 05, 347V Requires D5 Dimming  EcoSystem A2 <sup>5</sup> - .1%, eldoLED [Remote Mount]  5 Lutron and EldoLED Require RRM, SRM or CK Mounting Option	CD - Cord & Cable Mount CM - Cord Only  HM - Hang Straight Stem PM - Rigid Stem  SM - Surface Mount WM <sup>6</sup> - Wall Mount	36" 72" 144"  24" 36" 72"	EM <sup>7</sup> - Emergency Battery Pack  7EM Requires RRM or SRM Mounting Option, EM Not Available With Wall Mount, EM Not Available With 347V, EM Not Available With Conduit Feed Canopy	RRM <sup>8</sup> - Recessed Remote Driver Box SRM <sup>9</sup> - Surface Remote Driver Box  CK1 <sup>10</sup> - 1x Conduit Feed CK2 <sup>10</sup> - 2x Conduit Feed, Straight CK3 <sup>10</sup> - 2x Conduit Feed, 90° Corner CK4 <sup>10</sup> - 3x Conduit Feed, T Pattern CK5 <sup>10</sup> - 4x Conduit Feed, X Pattern  8 RRM not available with WM 9 RRM & SRM for Use With 20, 3D5, XL2, XA2, and EM Options Only 10 Conduit Feeds Not Available With Wall Mount Or EM
	822 - 2200K						
	827 - 2700K						
	830 - 3000K						
	835 - 3500K						
	840 - 4000K						
	90 CRI						
	927 - 2700K						
	930 - 3000K						
	935 - 3500K						
940 - 4000K							
DIM TO WARM <sup>1</sup>							
9DW - 30-16K Dim to Warm							
11000 Lm Only For 9DW							



SERIES	OPTICS	SERIES	BEZEL STYLE	BEZEL FINISH	SERIES	OPTICAL EFFECT <sup>14</sup>		
RD2	STANDARD WHITE	RB2	BS - Standard Bezel	ASG - Soft Glow, Anodized ARG - Rose Gold, Anodized ABK - Black, Anodized AGD - Gold, Anodized TW - Textured White TB - Textured Black MT - Textured Silver BZ - Textured Bronze CC - Custom Color	RA2	HL - Hex Cell		
	XS - Extra Narrow Spot (12°)		BK - Bezel w/ Knurl			LS - Diffusing Lens		
	SP - Spot (21°)		BB - Bias			LL - Linear Spread Lens		
	FL - Flood (34°)		BD - Snoot / Deep Cutout			LC - Clear Lens		
	XF - Extra Wide Flood (60°)		BW <sup>12/13</sup> - Bias Wall Wash					
	WW <sup>11</sup> - Wall Wash							
	DIM TO WARM							
	XS - Extra Narrow Spot (18°)		BSA1 <sup>13</sup> - Acrylic .5"					
	SP - Spot (29°)		BSA2 <sup>13</sup> - Acrylic 2"					
	FL - Flood (36°)		BSA3 <sup>13</sup> - Acrylic 6"					
XF - Extra Wide Flood (61°)	BSA4 <sup>13</sup> - Acrylic 12"							
WW <sup>11</sup> - Wall Wash	BKA1 <sup>13</sup> - Acrylic .5" w/ Knurl							
11 WW Requires BW Bezel		BKA2 <sup>13</sup> - Acrylic 2" w/ Knurl						
		BKA3 <sup>13</sup> - Acrylic 6" w/ Knurl						
		BKA4 <sup>13</sup> - Acrylic 12" w/ Knurl						
		12 BW Requires WW Optic Option 13 BW, BSA and BKA Series Do Not Take Optical Effects						

- Energy Star Exceptions**
- 822 and 9DW CRI/CCT combinations are not certified.
  - 347V versions are not certified.
  - WW optic and BW Bezel are not certified.
  - BSA2, BSA3, BSA4, BKA2, BKA3, BKA4 bezels are not certified.
  - For 90CRI options only BS and BK bezels are certified.
  - Optical effects are not certified.

