

# STC3PC

## 3" SPOT AIM LUMINAIRE

Spectrum 3" Round TC Series Spot Aim Luminaire for Precision Accent Lighting with Up to 2700 Lumens Delivered.

LUMENS / WATTAGE DATA				
PART NUMBER	SOURCE LUMENS <sup>1</sup>	DELIVERED LUMENS <sup>2</sup>	SYSTEM WATTS	LPW
STC3PC10L	1000	598	8.3	72
STC3PC20L	2000	1251	17.1	73
STC3PC30L	3000	1955	22	89
STC3PC40L	4000	2679	30.4	88

<sup>1</sup> Nominal Source Lumens at 35K <sup>2</sup> Nominal Delivered Lumens at 80 CRI with PC40L 35K MD XX NL

### FEATURES

Passive cooled LED tracklight with a wide variety of options. Track light accepts up to two accessories. Reflector and accessories are easily changed. Zhaga International standard LED module for fixture maintenance and upgrades. Precision aiming featuring 350° rotation and 90° tilt, optimizing a high tension friction locking mechanism.

### FINISH

Multi-stage polyester powder-coat process applied on our dedicated paint lines. A wide variety of standard and custom finishes are available. All exposed materials are chromate pretreated to resist corrosion.

### CONSTRUCTION

Spun, fabricated and extruded aluminum construction.

### ELECTRONICS

LED module features state of the art, high efficiency LEDs. 3-step MacAdam Ellipse binning with 80 and 90 CRI available. DS2W1 ELV/TRIAC phase cut driver dims smooth to 1%. 1% 0-10V, 120V and 277V options available.

### CODE COMPLIANCE

BAA Compliant. ETL Listed for dry location. Manufactured and tested to UL Standards No. 1574.

### WARRANTY

5 year warranty is Standard. L70 > 60,000 hours.

## PRODUCT SELECTOR GUIDE

SERIES	LUMENS <sup>1</sup>	CCT	OPTICS	DRIVER / VOLTAGE	MOUNTING	FINISH	ACCESSORIES
STC3PC							

### EXAMPLE

STC3PC	10L	27K	ND	DX	RDC5PM36	PT	
--------	-----	-----	----	----	----------	----	--

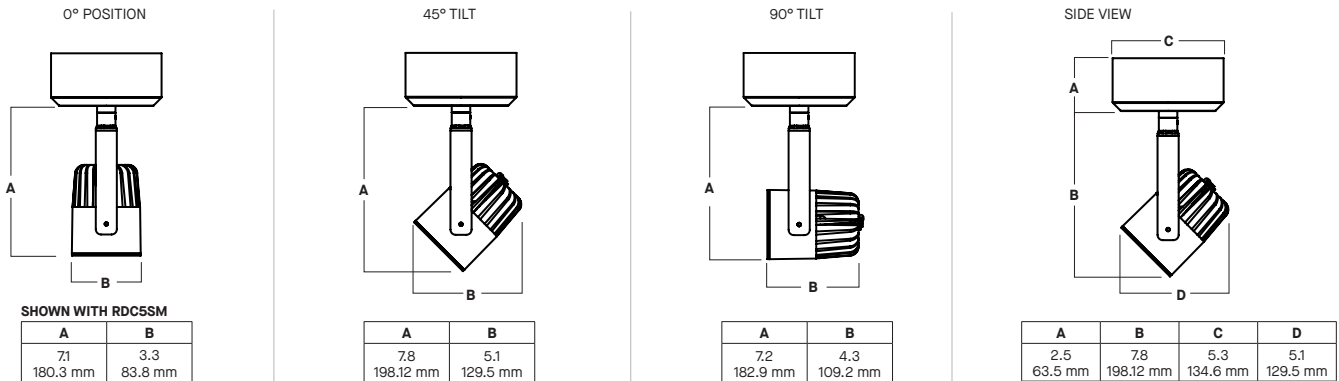
SERIES	LUMENS <sup>1</sup>	CCT	OPTICS	DRIVER / VOLTAGE	MOUNTING	FINISH <sup>3</sup>	ACCESSORIES <sup>5</sup>			
STC3PC	80 CRI		ND 19° MD 36° WD 43° XW 62°	DX Electronic Driver 1%, 0-10V, 120V/277V	RDC5SM RDC5PMxx <sup>2</sup>	Small Driver Canopy Rigid Pendant Mount	MW <sup>4</sup> Matte White MB <sup>4</sup> Matte Black PT <sup>4</sup> Platinum Silver CC Custom Color	ORDER SEPARATELY LN3ASO Solite Diffuse Lens LN3AFG Frosted Lens LN3ASK Skytlex Linear Lens LN3AGL Clear Lens SN3A <sup>6</sup> Snoot HL3A <sup>6</sup> Hex Louver		
	10L	600 Lm							27K	2700K
	20L	1250 Lm							30K	3000K
	30L	2000 Lm							35K	3500K
	40L	2700 Lm							40K	4000K
	90 CRI								DS2W1 ELV/TRIAC Phase Cut Dimming, 120V	
	10L	600 Lm	27HK	2700K						
	20L	1250 Lm	30HK	3000K						
	30L	2000 Lm	35HK	3500K						
	40L	2700 Lm	40HK	4000K						
	1 Nominal Delivered Lumens at 35K									
					2 Specify Length in Inches; See Mounting Page for Available Lengths		3 See Color Page for More Options/ Consult Factory for Special Finishes 4 Standard Finishes			
						5 Track Light Accepts up to Two Accessories 6 6. Only Available in Flat Black				

PROJECT: \_\_\_\_\_  
 QUANTITY: \_\_\_\_\_ TYPE: \_\_\_\_\_

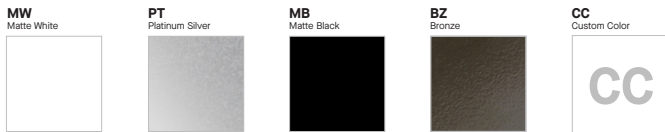


COPYRIGHT 2022 SPECTRUM LIGHTING, INC.

### FIXTURE DIMENSIONS



### FINISH



### PAINT TIMES

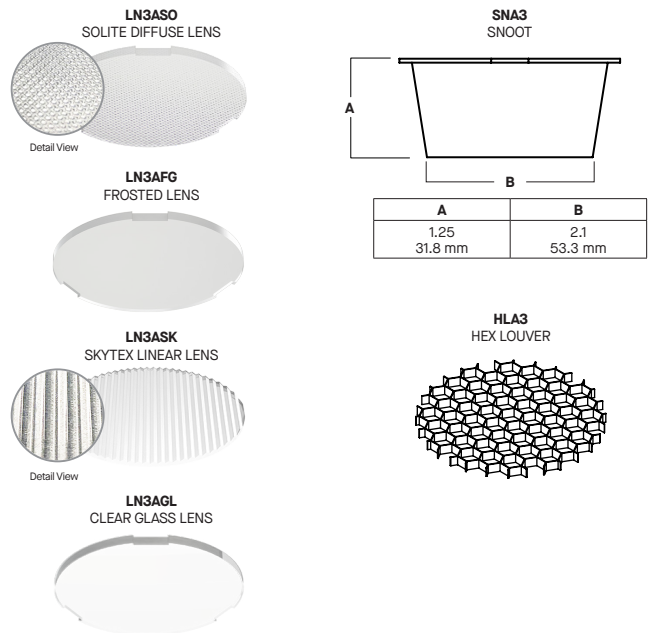
TIER	COST	AVERAGE PAINT TIME*
Tier 1 - Standard Finishes	\$	🕒
Custom Color	Contact Factory	Contact Factory

\*CONTACT FACTORY FOR SPECIFIC PRODUCT LEAD TIMES

### STANDARD PRODUCT FINISHES

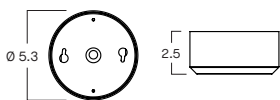
FIXTURE COLOR	STANDARD CORD / SLEEVING COLOR	STANDARD CANOPY / STEM COLOR
Matte White, Textured White	Matte White	Matte White
Gloss White	Matte White	Gloss White
Matte Black, Gloss Black, Textured Black	Matte Black	Matte Black
All Others	Matte Black	Same Color as Fixture
Custom Color	Contact Factory	Contact Factory

### FIXTURE ACCESSORIES



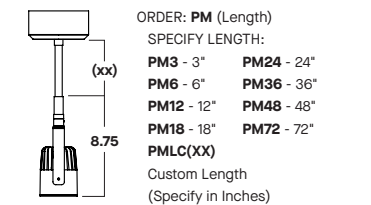
### DRIVER CANOPY OPTIONS

**RDC5SM**  
Small Driver Canopy (Standard)



### MOUNTING TYPES

**RDC5PMxx**  
Rigid Pendant Mount  
RIGID 5/8" OD STEM - 3/8" IP



\*MAXIMUM ONE PIECE STEM LENGTH IS 72".  
LONGER LENGTHS ARE POSSIBLE USING MULTIPLE STEMS AND COUPLERS.

STC3PC 40L 35K ND XX NL

CANDLEPOWER CURVE TEST SP-00596_21	INTENSITY CANDELA 0° AZIMUTH	ZONAL LUMENS	SINGLE UNIT: PERFORMANCE HORIZONTAL FOOTCANDLES INITIAL DOWNLIGHT ONLY	MULTIPLE UNITS: PERFORMANCE 80/50/20% REFLECTANCES HORIZONTAL FOOTCANDLES AND WATTS/SQ FT																																																																
	0°	0° - 10° 865 28%	<table border="1"> <thead> <tr> <th>Mounting Distance</th> <th>FC at Beam Center</th> <th>Diameter at Beam Angle</th> <th>FC at Beam Edge</th> </tr> </thead> <tbody> <tr><td>8'</td><td>195 fc</td><td>3.0'</td><td>93 fc</td></tr> <tr><td>10'</td><td>125 fc</td><td>3.7'</td><td>59 fc</td></tr> <tr><td>12'</td><td>87 fc</td><td>4.5'</td><td>41 fc</td></tr> <tr><td>14'</td><td>64 fc</td><td>5.2'</td><td>30 fc</td></tr> <tr><td>16'</td><td>49 fc</td><td>6.0'</td><td>23 fc</td></tr> <tr><td>20'</td><td>31 fc</td><td>7.5'</td><td>15 fc</td></tr> <tr><td>24'</td><td>22 fc</td><td>9.0'</td><td>10 fc</td></tr> <tr><td>28'</td><td>16 fc</td><td>10.4'</td><td>8 fc</td></tr> </tbody> </table>	Mounting Distance	FC at Beam Center	Diameter at Beam Angle	FC at Beam Edge	8'	195 fc	3.0'	93 fc	10'	125 fc	3.7'	59 fc	12'	87 fc	4.5'	41 fc	14'	64 fc	5.2'	30 fc	16'	49 fc	6.0'	23 fc	20'	31 fc	7.5'	15 fc	24'	22 fc	9.0'	10 fc	28'	16 fc	10.4'	8 fc	<table border="1"> <thead> <tr> <th rowspan="2">Ceiling Height</th> <th rowspan="2">Fixture Spacing</th> <th colspan="2">RCR 4</th> <th colspan="2">RCR 6</th> </tr> <tr> <th>FC *</th> <th>W/Sq. Ft.</th> <th>FC *</th> <th>W/Sq. Ft.</th> </tr> </thead> <tbody> <tr><td>18'</td><td>4'</td><td>180</td><td>1.87</td><td>166</td><td>1.88</td></tr> <tr><td>22'</td><td>5'</td><td>111</td><td>1.15</td><td>102</td><td>1.16</td></tr> <tr><td>26'</td><td>6'</td><td>75</td><td>0.78</td><td>69</td><td>0.78</td></tr> </tbody> </table>	Ceiling Height	Fixture Spacing	RCR 4		RCR 6		FC *	W/Sq. Ft.	FC *	W/Sq. Ft.	18'	4'	180	1.87	166	1.88	22'	5'	111	1.15	102	1.16	26'	6'	75	0.78	69	0.78
	Mounting Distance	FC at Beam Center		Diameter at Beam Angle	FC at Beam Edge																																																															
	8'	195 fc		3.0'	93 fc																																																															
	10'	125 fc		3.7'	59 fc																																																															
	12'	87 fc		4.5'	41 fc																																																															
	14'	64 fc		5.2'	30 fc																																																															
	16'	49 fc		6.0'	23 fc																																																															
	20'	31 fc		7.5'	15 fc																																																															
	24'	22 fc		9.0'	10 fc																																																															
	28'	16 fc		10.4'	8 fc																																																															
	Ceiling Height	Fixture Spacing		RCR 4		RCR 6																																																														
				FC *	W/Sq. Ft.	FC *	W/Sq. Ft.																																																													
18'	4'	180	1.87	166	1.88																																																															
22'	5'	111	1.15	102	1.16																																																															
26'	6'	75	0.78	69	0.78																																																															
0° 12504	0° - 20° 1913 62%	8' 195 fc 3.0' 93 fc	18' 4' 180 1.87 166 1.88																																																																	
5° 10590	0° - 30° 2640 85%	10' 125 fc 3.7' 59 fc	22' 5' 111 1.15 102 1.16																																																																	
15° 3623	0° - 40° 3048 98%	12' 87 fc 4.5' 41 fc	26' 6' 75 0.78 69 0.78																																																																	
25° 1490	0° - 60° 3084 100%	14' 64 fc 5.2' 30 fc	Delivered Illuminance Rating: (DIR) 96 FC per W/Sq. Ft. 88 FC per W/Sq. Ft.																																																																	
35° 657	0° - 80° 3094 100%	16' 49 fc 6.0' 23 fc																																																																		
45° 21	0° - 90° 3097 100%	20' 31 fc 7.5' 15 fc	1' Suspension Length to luminous aperture Square rooms used for multiple units: RCR 4: Length & Width = Ceiling Ht. - 3.5' x 2.50 RCR 6: Length & Width = Ceiling Ht. - 3.5' x 1.66 * Average Initial Footcandles at 2.5' Above Floor																																																																	
55° 5	Total 3097 100%	24' 22 fc 9.0' 10 fc																																																																		
90° 0		28' 16 fc 10.4' 8 fc																																																																		

Delivered Lumens: 3097  
Luminaire Watts: 30.3  
LER: 102.21

CP at 0° (Nadir): 12504  
CRI: 80+

Beam Angle: 21°  
Spacing Ratio: 0.35

Lumen Multiplier: 20L x 0.47, 30L x 0.73  
CCT Multiplier: 27K x 0.96, 30K x 0.99, 40K x 1.04

STC3PC 40L 35K MD XX NL

CANDLEPOWER CURVE TEST SP-00596_15_M-40L	INTENSITY CANDELA 0° AZIMUTH	ZONAL LUMENS	SINGLE UNIT: PERFORMANCE HORIZONTAL FOOTCANDLES INITIAL DOWNLIGHT ONLY	MULTIPLE UNITS: PERFORMANCE 80/50/20% REFLECTANCES HORIZONTAL FOOTCANDLES AND WATTS/SQ FT																																																																
	0°	0° - 10° 716 27%	<table border="1"> <thead> <tr> <th>Mounting Distance</th> <th>FC at Beam Center</th> <th>Diameter at Beam Angle</th> <th>FC at Beam Edge</th> </tr> </thead> <tbody> <tr><td>8'</td><td>136 fc</td><td>3.9'</td><td>62 fc</td></tr> <tr><td>10'</td><td>87 fc</td><td>4.9'</td><td>40 fc</td></tr> <tr><td>12'</td><td>61 fc</td><td>5.9'</td><td>28 fc</td></tr> <tr><td>14'</td><td>45 fc</td><td>6.9'</td><td>20 fc</td></tr> <tr><td>16'</td><td>34 fc</td><td>7.9'</td><td>16 fc</td></tr> <tr><td>20'</td><td>22 fc</td><td>9.9'</td><td>10 fc</td></tr> <tr><td>24'</td><td>15 fc</td><td>11.8'</td><td>7 fc</td></tr> <tr><td>28'</td><td>11 fc</td><td>13.8'</td><td>5 fc</td></tr> </tbody> </table>	Mounting Distance	FC at Beam Center	Diameter at Beam Angle	FC at Beam Edge	8'	136 fc	3.9'	62 fc	10'	87 fc	4.9'	40 fc	12'	61 fc	5.9'	28 fc	14'	45 fc	6.9'	20 fc	16'	34 fc	7.9'	16 fc	20'	22 fc	9.9'	10 fc	24'	15 fc	11.8'	7 fc	28'	11 fc	13.8'	5 fc	<table border="1"> <thead> <tr> <th rowspan="2">Ceiling Height</th> <th rowspan="2">Fixture Spacing</th> <th colspan="2">RCR 3</th> <th colspan="2">RCR 5</th> </tr> <tr> <th>FC *</th> <th>W/Sq. Ft.</th> <th>FC *</th> <th>W/Sq. Ft.</th> </tr> </thead> <tbody> <tr><td>18'</td><td>6'</td><td>72</td><td>0.83</td><td>71</td><td>0.90</td></tr> <tr><td>22'</td><td>7'</td><td>56</td><td>0.65</td><td>44</td><td>0.56</td></tr> <tr><td>26'</td><td>8'</td><td>38</td><td>0.44</td><td>30</td><td>0.38</td></tr> </tbody> </table>	Ceiling Height	Fixture Spacing	RCR 3		RCR 5		FC *	W/Sq. Ft.	FC *	W/Sq. Ft.	18'	6'	72	0.83	71	0.90	22'	7'	56	0.65	44	0.56	26'	8'	38	0.44	30	0.38
	Mounting Distance	FC at Beam Center		Diameter at Beam Angle	FC at Beam Edge																																																															
	8'	136 fc		3.9'	62 fc																																																															
	10'	87 fc		4.9'	40 fc																																																															
	12'	61 fc		5.9'	28 fc																																																															
	14'	45 fc		6.9'	20 fc																																																															
	16'	34 fc		7.9'	16 fc																																																															
	20'	22 fc		9.9'	10 fc																																																															
	24'	15 fc		11.8'	7 fc																																																															
	28'	11 fc		13.8'	5 fc																																																															
	Ceiling Height	Fixture Spacing		RCR 3		RCR 5																																																														
				FC *	W/Sq. Ft.	FC *	W/Sq. Ft.																																																													
18'	6'	72	0.83	71	0.90																																																															
22'	7'	56	0.65	44	0.56																																																															
26'	8'	38	0.44	30	0.38																																																															
0° 8725	0° - 20° 1766 66%	8' 136 fc 3.9' 62 fc	18' 6' 72 0.83 71 0.90																																																																	
5° 8108	0° - 30° 2371 89%	10' 87 fc 4.9' 40 fc	22' 7' 56 0.65 44 0.56																																																																	
15° 3742	0° - 40° 2528 94%	12' 61 fc 5.9' 28 fc	26' 8' 38 0.44 30 0.38																																																																	
25° 1354	0° - 60° 2596 97%	14' 45 fc 6.9' 20 fc	Delivered Illuminance Rating: (DIR) 86 FC per W/Sq. Ft. 79 FC per W/Sq. Ft.																																																																	
35° 247	0° - 80° 2670 100%	16' 34 fc 7.9' 16 fc																																																																		
45° 50	0° - 90° 2679 100%	20' 22 fc 9.9' 10 fc	1' Suspension Length to luminous aperture Square rooms used for multiple units: RCR 3: Length & Width = Ceiling Ht. - 3.5' x 3.33 RCR 5: Length & Width = Ceiling Ht. - 3.5' x 2.00 * Average Initial Footcandles at 2.5' Above Floor																																																																	
55° 37	Total 2679 100%	24' 15 fc 11.8' 7 fc																																																																		
90° 1		28' 11 fc 13.8' 5 fc																																																																		

Delivered Lumens: 2679  
Luminaire Watts: 30.4  
LER: 88.13

CP at 0° (Nadir): 8725  
CRI: 80+

Beam Angle: 28°  
Spacing Ratio: 0.46

Lumen Multiplier: 20L x 0.47, 30L x 0.73  
CCT Multiplier: 27K x 0.96, 30K x 0.99, 40K x 1.04

HOW TO USE PERFORMANCE DATA

SINGLE UNIT	MULTIPLE UNITS
<p>Cone of Light of a single, symmetrical beam luminaire. Direct initial illumination (FC) and Beam Angle diameter directly beneath fixture; shown at different distances from aperture to horizontal plane. Calculated using Inverse Square Law.</p> $FC_H = CP \times (\cos \theta) \div D^2$ <p>Beam Diam. = 1/2 Beam Angle (Tan) x 2D</p> <ul style="list-style-type: none"> <li>• CP Candela at 0° (Nadir)</li> <li>• Cos θ Cosine of θ Angle</li> <li>• D Distance (Mounting Height AFF)</li> <li>• FC<sub>H</sub> Footcandles, Horizontal</li> <li>• Beam Angle Cone of light to 50% max. CP</li> <li>• Beam Diam. Pattern of light at Beam Angle</li> </ul>	<p>Square grid layout of multiple luminaires in unfurnished, square rooms of different proportions (Room Cavity Ratios) with 80/50/20% room surface reflectances. 2' Suspension Length to aperture. Initial average illumination (FC) calculated at 2.5' above floor, using Zonal Cavity Method. W/Sq. Ft. of layout shown for each ceiling height and RCR.</p> <p>Delivered Illuminance Rating (DIR*): System performance indicator expressed as ratio of approximate initial FC per W/Sq. Ft. delivered to horizontal plane below, for the range of ceiling heights indicated.</p> <ul style="list-style-type: none"> <li>• To estimate FC for Fixture Spacing that is different than shown (do not exceed Spacing Ratio): <math>FC = \text{Chart Spacing}^2 \div \text{Different Spacing}^2 \times \text{Chart FC}</math></li> <li>• To estimate Sq. Ft. per fixture for a specific target FC: <math>\text{Sq. Ft.} / \text{Fixture} = \text{Chart FC} \times \text{Chart Spacing}^2 \div \text{Target FC}</math></li> </ul> <ul style="list-style-type: none"> <li>• To estimate Fixture Quantity in a room: Fixture Qty. = Sq. Ft. of Rm. ÷ Sq. Ft. per fixture</li> <li>• To estimate Watts/Sq. Ft.: W/ Sq. Ft. = Luminaire Watts x Qty. ÷ Sq. Ft. of Rm.</li> </ul>

## STC3PC 40L 35K WD XX NL

CANDLEPOWER CURVE TEST SP-00596_16_M-40L	INTENSITY CANDELA 0° AZIMUTH	ZONAL LUMENS	SINGLE UNIT: PERFORMANCE HORIZONTAL FOOTCANDLES INITIAL DOWNLIGHT ONLY	MULTIPLE UNITS: PERFORMANCE 80/50/20% REFLECTANCES HORIZONTAL FOOTCANDLES AND WATTS/SQ FT																																																																
	0°	0° - 10° 561 20%	<table border="1"> <thead> <tr> <th>Mounting Distance</th> <th>FC at Beam Center</th> <th>Diameter at Beam Angle</th> <th>FC at Beam Edge</th> </tr> </thead> <tbody> <tr><td>8'</td><td>100 fc</td><td>5.4'</td><td>42 fc</td></tr> <tr><td>10'</td><td>64 fc</td><td>6.7'</td><td>27 fc</td></tr> <tr><td>12'</td><td>44 fc</td><td>8.1'</td><td>19 fc</td></tr> <tr><td>14'</td><td>33 fc</td><td>9.4'</td><td>14 fc</td></tr> <tr><td>16'</td><td>25 fc</td><td>10.8'</td><td>11 fc</td></tr> <tr><td>20'</td><td>16 fc</td><td>13.5'</td><td>7 fc</td></tr> <tr><td>24'</td><td>11 fc</td><td>16.2'</td><td>5 fc</td></tr> <tr><td>28'</td><td>8 fc</td><td>18.9'</td><td>3 fc</td></tr> </tbody> </table>	Mounting Distance	FC at Beam Center	Diameter at Beam Angle	FC at Beam Edge	8'	100 fc	5.4'	42 fc	10'	64 fc	6.7'	27 fc	12'	44 fc	8.1'	19 fc	14'	33 fc	9.4'	14 fc	16'	25 fc	10.8'	11 fc	20'	16 fc	13.5'	7 fc	24'	11 fc	16.2'	5 fc	28'	8 fc	18.9'	3 fc	<table border="1"> <thead> <tr> <th rowspan="2">Ceiling Height</th> <th rowspan="2">Fixture Spacing</th> <th colspan="2">RCR 2</th> <th colspan="2">RCR 4</th> </tr> <tr> <th>FC *</th> <th>W/Sq. Ft.</th> <th>FC *</th> <th>W/Sq. Ft.</th> </tr> </thead> <tbody> <tr><td>14'</td><td>6'</td><td>83</td><td>0.89</td><td>59</td><td>0.71</td></tr> <tr><td>18'</td><td>8'</td><td>43</td><td>0.47</td><td>31</td><td>0.37</td></tr> <tr><td>22'</td><td>10'</td><td>27</td><td>0.29</td><td>30</td><td>0.36</td></tr> </tbody> </table>	Ceiling Height	Fixture Spacing	RCR 2		RCR 4		FC *	W/Sq. Ft.	FC *	W/Sq. Ft.	14'	6'	83	0.89	59	0.71	18'	8'	43	0.47	31	0.37	22'	10'	27	0.29	30	0.36
	Mounting Distance	FC at Beam Center		Diameter at Beam Angle	FC at Beam Edge																																																															
	8'	100 fc		5.4'	42 fc																																																															
	10'	64 fc		6.7'	27 fc																																																															
	12'	44 fc		8.1'	19 fc																																																															
	14'	33 fc		9.4'	14 fc																																																															
	16'	25 fc		10.8'	11 fc																																																															
	20'	16 fc		13.5'	7 fc																																																															
	24'	11 fc		16.2'	5 fc																																																															
	28'	8 fc		18.9'	3 fc																																																															
	Ceiling Height	Fixture Spacing		RCR 2		RCR 4																																																														
				FC *	W/Sq. Ft.	FC *	W/Sq. Ft.																																																													
14'	6'	83	0.89	59	0.71																																																															
18'	8'	43	0.47	31	0.37																																																															
22'	10'	27	0.29	30	0.36																																																															
0° 6396	0° - 20° 1664 60%	<table border="1"> <thead> <tr> <th>Mounting Distance</th> <th>FC at Beam Center</th> <th>Diameter at Beam Angle</th> <th>FC at Beam Edge</th> </tr> </thead> <tbody> <tr><td>8'</td><td>100 fc</td><td>5.4'</td><td>42 fc</td></tr> <tr><td>10'</td><td>64 fc</td><td>6.7'</td><td>27 fc</td></tr> <tr><td>12'</td><td>44 fc</td><td>8.1'</td><td>19 fc</td></tr> <tr><td>14'</td><td>33 fc</td><td>9.4'</td><td>14 fc</td></tr> <tr><td>16'</td><td>25 fc</td><td>10.8'</td><td>11 fc</td></tr> <tr><td>20'</td><td>16 fc</td><td>13.5'</td><td>7 fc</td></tr> <tr><td>24'</td><td>11 fc</td><td>16.2'</td><td>5 fc</td></tr> <tr><td>28'</td><td>8 fc</td><td>18.9'</td><td>3 fc</td></tr> </tbody> </table>	Mounting Distance	FC at Beam Center	Diameter at Beam Angle	FC at Beam Edge	8'	100 fc	5.4'	42 fc	10'	64 fc	6.7'	27 fc	12'	44 fc	8.1'	19 fc	14'	33 fc	9.4'	14 fc	16'	25 fc	10.8'	11 fc	20'	16 fc	13.5'	7 fc	24'	11 fc	16.2'	5 fc	28'	8 fc	18.9'	3 fc	<table border="1"> <thead> <tr> <th rowspan="2">Ceiling Height</th> <th rowspan="2">Fixture Spacing</th> <th colspan="2">RCR 2</th> <th colspan="2">RCR 4</th> </tr> <tr> <th>FC *</th> <th>W/Sq. Ft.</th> <th>FC *</th> <th>W/Sq. Ft.</th> </tr> </thead> <tbody> <tr><td>14'</td><td>6'</td><td>83</td><td>0.89</td><td>59</td><td>0.71</td></tr> <tr><td>18'</td><td>8'</td><td>43</td><td>0.47</td><td>31</td><td>0.37</td></tr> <tr><td>22'</td><td>10'</td><td>27</td><td>0.29</td><td>30</td><td>0.36</td></tr> </tbody> </table>	Ceiling Height	Fixture Spacing	RCR 2		RCR 4		FC *	W/Sq. Ft.	FC *	W/Sq. Ft.	14'	6'	83	0.89	59	0.71	18'	8'	43	0.47	31	0.37	22'	10'	27	0.29	30	0.36	
Mounting Distance	FC at Beam Center		Diameter at Beam Angle	FC at Beam Edge																																																																
8'	100 fc		5.4'	42 fc																																																																
10'	64 fc		6.7'	27 fc																																																																
12'	44 fc		8.1'	19 fc																																																																
14'	33 fc		9.4'	14 fc																																																																
16'	25 fc		10.8'	11 fc																																																																
20'	16 fc		13.5'	7 fc																																																																
24'	11 fc		16.2'	5 fc																																																																
28'	8 fc		18.9'	3 fc																																																																
Ceiling Height	Fixture Spacing		RCR 2		RCR 4																																																															
			FC *	W/Sq. Ft.	FC *	W/Sq. Ft.																																																														
14'	6'	83	0.89	59	0.71																																																															
18'	8'	43	0.47	31	0.37																																																															
22'	10'	27	0.29	30	0.36																																																															
5° 6150	0° - 30° 2426 88%	<table border="1"> <thead> <tr> <th>Mounting Distance</th> <th>FC at Beam Center</th> <th>Diameter at Beam Angle</th> <th>FC at Beam Edge</th> </tr> </thead> <tbody> <tr><td>8'</td><td>100 fc</td><td>5.4'</td><td>42 fc</td></tr> <tr><td>10'</td><td>64 fc</td><td>6.7'</td><td>27 fc</td></tr> <tr><td>12'</td><td>44 fc</td><td>8.1'</td><td>19 fc</td></tr> <tr><td>14'</td><td>33 fc</td><td>9.4'</td><td>14 fc</td></tr> <tr><td>16'</td><td>25 fc</td><td>10.8'</td><td>11 fc</td></tr> <tr><td>20'</td><td>16 fc</td><td>13.5'</td><td>7 fc</td></tr> <tr><td>24'</td><td>11 fc</td><td>16.2'</td><td>5 fc</td></tr> <tr><td>28'</td><td>8 fc</td><td>18.9'</td><td>3 fc</td></tr> </tbody> </table>	Mounting Distance	FC at Beam Center	Diameter at Beam Angle	FC at Beam Edge	8'	100 fc	5.4'	42 fc	10'	64 fc	6.7'	27 fc	12'	44 fc	8.1'	19 fc	14'	33 fc	9.4'	14 fc	16'	25 fc	10.8'	11 fc	20'	16 fc	13.5'	7 fc	24'	11 fc	16.2'	5 fc	28'	8 fc	18.9'	3 fc	<table border="1"> <thead> <tr> <th rowspan="2">Ceiling Height</th> <th rowspan="2">Fixture Spacing</th> <th colspan="2">RCR 2</th> <th colspan="2">RCR 4</th> </tr> <tr> <th>FC *</th> <th>W/Sq. Ft.</th> <th>FC *</th> <th>W/Sq. Ft.</th> </tr> </thead> <tbody> <tr><td>14'</td><td>6'</td><td>83</td><td>0.89</td><td>59</td><td>0.71</td></tr> <tr><td>18'</td><td>8'</td><td>43</td><td>0.47</td><td>31</td><td>0.37</td></tr> <tr><td>22'</td><td>10'</td><td>27</td><td>0.29</td><td>30</td><td>0.36</td></tr> </tbody> </table>	Ceiling Height	Fixture Spacing	RCR 2		RCR 4		FC *	W/Sq. Ft.	FC *	W/Sq. Ft.	14'	6'	83	0.89	59	0.71	18'	8'	43	0.47	31	0.37	22'	10'	27	0.29	30	0.36	
Mounting Distance	FC at Beam Center		Diameter at Beam Angle	FC at Beam Edge																																																																
8'	100 fc		5.4'	42 fc																																																																
10'	64 fc		6.7'	27 fc																																																																
12'	44 fc		8.1'	19 fc																																																																
14'	33 fc		9.4'	14 fc																																																																
16'	25 fc		10.8'	11 fc																																																																
20'	16 fc		13.5'	7 fc																																																																
24'	11 fc		16.2'	5 fc																																																																
28'	8 fc		18.9'	3 fc																																																																
Ceiling Height	Fixture Spacing		RCR 2		RCR 4																																																															
			FC *	W/Sq. Ft.	FC *	W/Sq. Ft.																																																														
14'	6'	83	0.89	59	0.71																																																															
18'	8'	43	0.47	31	0.37																																																															
22'	10'	27	0.29	30	0.36																																																															
15° 4130	0° - 40° 2599 94%	<table border="1"> <thead> <tr> <th>Mounting Distance</th> <th>FC at Beam Center</th> <th>Diameter at Beam Angle</th> <th>FC at Beam Edge</th> </tr> </thead> <tbody> <tr><td>8'</td><td>100 fc</td><td>5.4'</td><td>42 fc</td></tr> <tr><td>10'</td><td>64 fc</td><td>6.7'</td><td>27 fc</td></tr> <tr><td>12'</td><td>44 fc</td><td>8.1'</td><td>19 fc</td></tr> <tr><td>14'</td><td>33 fc</td><td>9.4'</td><td>14 fc</td></tr> <tr><td>16'</td><td>25 fc</td><td>10.8'</td><td>11 fc</td></tr> <tr><td>20'</td><td>16 fc</td><td>13.5'</td><td>7 fc</td></tr> <tr><td>24'</td><td>11 fc</td><td>16.2'</td><td>5 fc</td></tr> <tr><td>28'</td><td>8 fc</td><td>18.9'</td><td>3 fc</td></tr> </tbody> </table>	Mounting Distance	FC at Beam Center	Diameter at Beam Angle	FC at Beam Edge	8'	100 fc	5.4'	42 fc	10'	64 fc	6.7'	27 fc	12'	44 fc	8.1'	19 fc	14'	33 fc	9.4'	14 fc	16'	25 fc	10.8'	11 fc	20'	16 fc	13.5'	7 fc	24'	11 fc	16.2'	5 fc	28'	8 fc	18.9'	3 fc	<table border="1"> <thead> <tr> <th rowspan="2">Ceiling Height</th> <th rowspan="2">Fixture Spacing</th> <th colspan="2">RCR 2</th> <th colspan="2">RCR 4</th> </tr> <tr> <th>FC *</th> <th>W/Sq. Ft.</th> <th>FC *</th> <th>W/Sq. Ft.</th> </tr> </thead> <tbody> <tr><td>14'</td><td>6'</td><td>83</td><td>0.89</td><td>59</td><td>0.71</td></tr> <tr><td>18'</td><td>8'</td><td>43</td><td>0.47</td><td>31</td><td>0.37</td></tr> <tr><td>22'</td><td>10'</td><td>27</td><td>0.29</td><td>30</td><td>0.36</td></tr> </tbody> </table>	Ceiling Height	Fixture Spacing	RCR 2		RCR 4		FC *	W/Sq. Ft.	FC *	W/Sq. Ft.	14'	6'	83	0.89	59	0.71	18'	8'	43	0.47	31	0.37	22'	10'	27	0.29	30	0.36	
Mounting Distance	FC at Beam Center		Diameter at Beam Angle	FC at Beam Edge																																																																
8'	100 fc		5.4'	42 fc																																																																
10'	64 fc		6.7'	27 fc																																																																
12'	44 fc		8.1'	19 fc																																																																
14'	33 fc		9.4'	14 fc																																																																
16'	25 fc		10.8'	11 fc																																																																
20'	16 fc		13.5'	7 fc																																																																
24'	11 fc		16.2'	5 fc																																																																
28'	8 fc		18.9'	3 fc																																																																
Ceiling Height	Fixture Spacing		RCR 2		RCR 4																																																															
			FC *	W/Sq. Ft.	FC *	W/Sq. Ft.																																																														
14'	6'	83	0.89	59	0.71																																																															
18'	8'	43	0.47	31	0.37																																																															
22'	10'	27	0.29	30	0.36																																																															
25° 1713	0° - 60° 2676 97%	<table border="1"> <thead> <tr> <th>Mounting Distance</th> <th>FC at Beam Center</th> <th>Diameter at Beam Angle</th> <th>FC at Beam Edge</th> </tr> </thead> <tbody> <tr><td>8'</td><td>100 fc</td><td>5.4'</td><td>42 fc</td></tr> <tr><td>10'</td><td>64 fc</td><td>6.7'</td><td>27 fc</td></tr> <tr><td>12'</td><td>44 fc</td><td>8.1'</td><td>19 fc</td></tr> <tr><td>14'</td><td>33 fc</td><td>9.4'</td><td>14 fc</td></tr> <tr><td>16'</td><td>25 fc</td><td>10.8'</td><td>11 fc</td></tr> <tr><td>20'</td><td>16 fc</td><td>13.5'</td><td>7 fc</td></tr> <tr><td>24'</td><td>11 fc</td><td>16.2'</td><td>5 fc</td></tr> <tr><td>28'</td><td>8 fc</td><td>18.9'</td><td>3 fc</td></tr> </tbody> </table>	Mounting Distance	FC at Beam Center	Diameter at Beam Angle	FC at Beam Edge	8'	100 fc	5.4'	42 fc	10'	64 fc	6.7'	27 fc	12'	44 fc	8.1'	19 fc	14'	33 fc	9.4'	14 fc	16'	25 fc	10.8'	11 fc	20'	16 fc	13.5'	7 fc	24'	11 fc	16.2'	5 fc	28'	8 fc	18.9'	3 fc	<table border="1"> <thead> <tr> <th rowspan="2">Ceiling Height</th> <th rowspan="2">Fixture Spacing</th> <th colspan="2">RCR 2</th> <th colspan="2">RCR 4</th> </tr> <tr> <th>FC *</th> <th>W/Sq. Ft.</th> <th>FC *</th> <th>W/Sq. Ft.</th> </tr> </thead> <tbody> <tr><td>14'</td><td>6'</td><td>83</td><td>0.89</td><td>59</td><td>0.71</td></tr> <tr><td>18'</td><td>8'</td><td>43</td><td>0.47</td><td>31</td><td>0.37</td></tr> <tr><td>22'</td><td>10'</td><td>27</td><td>0.29</td><td>30</td><td>0.36</td></tr> </tbody> </table>	Ceiling Height	Fixture Spacing	RCR 2		RCR 4		FC *	W/Sq. Ft.	FC *	W/Sq. Ft.	14'	6'	83	0.89	59	0.71	18'	8'	43	0.47	31	0.37	22'	10'	27	0.29	30	0.36	
Mounting Distance	FC at Beam Center		Diameter at Beam Angle	FC at Beam Edge																																																																
8'	100 fc		5.4'	42 fc																																																																
10'	64 fc		6.7'	27 fc																																																																
12'	44 fc		8.1'	19 fc																																																																
14'	33 fc		9.4'	14 fc																																																																
16'	25 fc		10.8'	11 fc																																																																
20'	16 fc		13.5'	7 fc																																																																
24'	11 fc		16.2'	5 fc																																																																
28'	8 fc		18.9'	3 fc																																																																
Ceiling Height	Fixture Spacing		RCR 2		RCR 4																																																															
			FC *	W/Sq. Ft.	FC *	W/Sq. Ft.																																																														
14'	6'	83	0.89	59	0.71																																																															
18'	8'	43	0.47	31	0.37																																																															
22'	10'	27	0.29	30	0.36																																																															
35° 274	0° - 80° 2742 100%	<table border="1"> <thead> <tr> <th>Mounting Distance</th> <th>FC at Beam Center</th> <th>Diameter at Beam Angle</th> <th>FC at Beam Edge</th> </tr> </thead> <tbody> <tr><td>8'</td><td>100 fc</td><td>5.4'</td><td>42 fc</td></tr> <tr><td>10'</td><td>64 fc</td><td>6.7'</td><td>27 fc</td></tr> <tr><td>12'</td><td>44 fc</td><td>8.1'</td><td>19 fc</td></tr> <tr><td>14'</td><td>33 fc</td><td>9.4'</td><td>14 fc</td></tr> <tr><td>16'</td><td>25 fc</td><td>10.8'</td><td>11 fc</td></tr> <tr><td>20'</td><td>16 fc</td><td>13.5'</td><td>7 fc</td></tr> <tr><td>24'</td><td>11 fc</td><td>16.2'</td><td>5 fc</td></tr> <tr><td>28'</td><td>8 fc</td><td>18.9'</td><td>3 fc</td></tr> </tbody> </table>	Mounting Distance	FC at Beam Center	Diameter at Beam Angle	FC at Beam Edge	8'	100 fc	5.4'	42 fc	10'	64 fc	6.7'	27 fc	12'	44 fc	8.1'	19 fc	14'	33 fc	9.4'	14 fc	16'	25 fc	10.8'	11 fc	20'	16 fc	13.5'	7 fc	24'	11 fc	16.2'	5 fc	28'	8 fc	18.9'	3 fc	<table border="1"> <thead> <tr> <th rowspan="2">Ceiling Height</th> <th rowspan="2">Fixture Spacing</th> <th colspan="2">RCR 2</th> <th colspan="2">RCR 4</th> </tr> <tr> <th>FC *</th> <th>W/Sq. Ft.</th> <th>FC *</th> <th>W/Sq. Ft.</th> </tr> </thead> <tbody> <tr><td>14'</td><td>6'</td><td>83</td><td>0.89</td><td>59</td><td>0.71</td></tr> <tr><td>18'</td><td>8'</td><td>43</td><td>0.47</td><td>31</td><td>0.37</td></tr> <tr><td>22'</td><td>10'</td><td>27</td><td>0.29</td><td>30</td><td>0.36</td></tr> </tbody> </table>	Ceiling Height	Fixture Spacing	RCR 2		RCR 4		FC *	W/Sq. Ft.	FC *	W/Sq. Ft.	14'	6'	83	0.89	59	0.71	18'	8'	43	0.47	31	0.37	22'	10'	27	0.29	30	0.36	
Mounting Distance	FC at Beam Center		Diameter at Beam Angle	FC at Beam Edge																																																																
8'	100 fc		5.4'	42 fc																																																																
10'	64 fc		6.7'	27 fc																																																																
12'	44 fc		8.1'	19 fc																																																																
14'	33 fc		9.4'	14 fc																																																																
16'	25 fc		10.8'	11 fc																																																																
20'	16 fc		13.5'	7 fc																																																																
24'	11 fc		16.2'	5 fc																																																																
28'	8 fc		18.9'	3 fc																																																																
Ceiling Height	Fixture Spacing		RCR 2		RCR 4																																																															
			FC *	W/Sq. Ft.	FC *	W/Sq. Ft.																																																														
14'	6'	83	0.89	59	0.71																																																															
18'	8'	43	0.47	31	0.37																																																															
22'	10'	27	0.29	30	0.36																																																															
45° 54	0° - 90° 2751 100%	<table border="1"> <thead> <tr> <th>Mounting Distance</th> <th>FC at Beam Center</th> <th>Diameter at Beam Angle</th> <th>FC at Beam Edge</th> </tr> </thead> <tbody> <tr><td>8'</td><td>100 fc</td><td>5.4'</td><td>42 fc</td></tr> <tr><td>10'</td><td>64 fc</td><td>6.7'</td><td>27 fc</td></tr> <tr><td>12'</td><td>44 fc</td><td>8.1'</td><td>19 fc</td></tr> <tr><td>14'</td><td>33 fc</td><td>9.4'</td><td>14 fc</td></tr> <tr><td>16'</td><td>25 fc</td><td>10.8'</td><td>11 fc</td></tr> <tr><td>20'</td><td>16 fc</td><td>13.5'</td><td>7 fc</td></tr> <tr><td>24'</td><td>11 fc</td><td>16.2'</td><td>5 fc</td></tr> <tr><td>28'</td><td>8 fc</td><td>18.9'</td><td>3 fc</td></tr> </tbody> </table>	Mounting Distance	FC at Beam Center	Diameter at Beam Angle	FC at Beam Edge	8'	100 fc	5.4'	42 fc	10'	64 fc	6.7'	27 fc	12'	44 fc	8.1'	19 fc	14'	33 fc	9.4'	14 fc	16'	25 fc	10.8'	11 fc	20'	16 fc	13.5'	7 fc	24'	11 fc	16.2'	5 fc	28'	8 fc	18.9'	3 fc	<table border="1"> <thead> <tr> <th rowspan="2">Ceiling Height</th> <th rowspan="2">Fixture Spacing</th> <th colspan="2">RCR 2</th> <th colspan="2">RCR 4</th> </tr> <tr> <th>FC *</th> <th>W/Sq. Ft.</th> <th>FC *</th> <th>W/Sq. Ft.</th> </tr> </thead> <tbody> <tr><td>14'</td><td>6'</td><td>83</td><td>0.89</td><td>59</td><td>0.71</td></tr> <tr><td>18'</td><td>8'</td><td>43</td><td>0.47</td><td>31</td><td>0.37</td></tr> <tr><td>22'</td><td>10'</td><td>27</td><td>0.29</td><td>30</td><td>0.36</td></tr> </tbody> </table>	Ceiling Height	Fixture Spacing	RCR 2		RCR 4		FC *	W/Sq. Ft.	FC *	W/Sq. Ft.	14'	6'	83	0.89	59	0.71	18'	8'	43	0.47	31	0.37	22'	10'	27	0.29	30	0.36	
Mounting Distance	FC at Beam Center		Diameter at Beam Angle	FC at Beam Edge																																																																
8'	100 fc		5.4'	42 fc																																																																
10'	64 fc		6.7'	27 fc																																																																
12'	44 fc		8.1'	19 fc																																																																
14'	33 fc		9.4'	14 fc																																																																
16'	25 fc		10.8'	11 fc																																																																
20'	16 fc		13.5'	7 fc																																																																
24'	11 fc		16.2'	5 fc																																																																
28'	8 fc		18.9'	3 fc																																																																
Ceiling Height	Fixture Spacing		RCR 2		RCR 4																																																															
			FC *	W/Sq. Ft.	FC *	W/Sq. Ft.																																																														
14'	6'	83	0.89	59	0.71																																																															
18'	8'	43	0.47	31	0.37																																																															
22'	10'	27	0.29	30	0.36																																																															
55° 42	Total 2751 100%	<table border="1"> <thead> <tr> <th>Mounting Distance</th> <th>FC at Beam Center</th> <th>Diameter at Beam Angle</th> <th>FC at Beam Edge</th> </tr> </thead> <tbody> <tr><td>8'</td><td>100 fc</td><td>5.4'</td><td>42 fc</td></tr> <tr><td>10'</td><td>64 fc</td><td>6.7'</td><td>27 fc</td></tr> <tr><td>12'</td><td>44 fc</td><td>8.1'</td><td>19 fc</td></tr> <tr><td>14'</td><td>33 fc</td><td>9.4'</td><td>14 fc</td></tr> <tr><td>16'</td><td>25 fc</td><td>10.8'</td><td>11 fc</td></tr> <tr><td>20'</td><td>16 fc</td><td>13.5'</td><td>7 fc</td></tr> <tr><td>24'</td><td>11 fc</td><td>16.2'</td><td>5 fc</td></tr> <tr><td>28'</td><td>8 fc</td><td>18.9'</td><td>3 fc</td></tr> </tbody> </table>	Mounting Distance	FC at Beam Center	Diameter at Beam Angle	FC at Beam Edge	8'	100 fc	5.4'	42 fc	10'	64 fc	6.7'	27 fc	12'	44 fc	8.1'	19 fc	14'	33 fc	9.4'	14 fc	16'	25 fc	10.8'	11 fc	20'	16 fc	13.5'	7 fc	24'	11 fc	16.2'	5 fc	28'	8 fc	18.9'	3 fc	<table border="1"> <thead> <tr> <th rowspan="2">Ceiling Height</th> <th rowspan="2">Fixture Spacing</th> <th colspan="2">RCR 2</th> <th colspan="2">RCR 4</th> </tr> <tr> <th>FC *</th> <th>W/Sq. Ft.</th> <th>FC *</th> <th>W/Sq. Ft.</th> </tr> </thead> <tbody> <tr><td>14'</td><td>6'</td><td>83</td><td>0.89</td><td>59</td><td>0.71</td></tr> <tr><td>18'</td><td>8'</td><td>43</td><td>0.47</td><td>31</td><td>0.37</td></tr> <tr><td>22'</td><td>10'</td><td>27</td><td>0.29</td><td>30</td><td>0.36</td></tr> </tbody> </table>	Ceiling Height	Fixture Spacing	RCR 2		RCR 4		FC *	W/Sq. Ft.	FC *	W/Sq. Ft.	14'	6'	83	0.89	59	0.71	18'	8'	43	0.47	31	0.37	22'	10'	27	0.29	30	0.36	
Mounting Distance	FC at Beam Center		Diameter at Beam Angle	FC at Beam Edge																																																																
8'	100 fc		5.4'	42 fc																																																																
10'	64 fc		6.7'	27 fc																																																																
12'	44 fc		8.1'	19 fc																																																																
14'	33 fc		9.4'	14 fc																																																																
16'	25 fc		10.8'	11 fc																																																																
20'	16 fc		13.5'	7 fc																																																																
24'	11 fc		16.2'	5 fc																																																																
28'	8 fc		18.9'	3 fc																																																																
Ceiling Height	Fixture Spacing		RCR 2		RCR 4																																																															
			FC *	W/Sq. Ft.	FC *	W/Sq. Ft.																																																														
14'	6'	83	0.89	59	0.71																																																															
18'	8'	43	0.47	31	0.37																																																															
22'	10'	27	0.29	30	0.36																																																															
90° 1		<table border="1"> <thead> <tr> <th>Mounting Distance</th> <th>FC at Beam Center</th> <th>Diameter at Beam Angle</th> <th>FC at Beam Edge</th> </tr> </thead> <tbody> <tr><td>8'</td><td>100 fc</td><td>5.4'</td><td>42 fc</td></tr> <tr><td>10'</td><td>64 fc</td><td>6.7'</td><td>27 fc</td></tr> <tr><td>12'</td><td>44 fc</td><td>8.1'</td><td>19 fc</td></tr> <tr><td>14'</td><td>33 fc</td><td>9.4'</td><td>14 fc</td></tr> <tr><td>16'</td><td>25 fc</td><td>10.8'</td><td>11 fc</td></tr> <tr><td>20'</td><td>16 fc</td><td>13.5'</td><td>7 fc</td></tr> <tr><td>24'</td><td>11 fc</td><td>16.2'</td><td>5 fc</td></tr> <tr><td>28'</td><td>8 fc</td><td>18.9'</td><td>3 fc</td></tr> </tbody> </table>	Mounting Distance	FC at Beam Center	Diameter at Beam Angle	FC at Beam Edge	8'	100 fc	5.4'	42 fc	10'	64 fc	6.7'	27 fc	12'	44 fc	8.1'	19 fc	14'	33 fc	9.4'	14 fc	16'	25 fc	10.8'	11 fc	20'	16 fc	13.5'	7 fc	24'	11 fc	16.2'	5 fc	28'	8 fc	18.9'	3 fc	<table border="1"> <thead> <tr> <th rowspan="2">Ceiling Height</th> <th rowspan="2">Fixture Spacing</th> <th colspan="2">RCR 2</th> <th colspan="2">RCR 4</th> </tr> <tr> <th>FC *</th> <th>W/Sq. Ft.</th> <th>FC *</th> <th>W/Sq. Ft.</th> </tr> </thead> <tbody> <tr><td>14'</td><td>6'</td><td>83</td><td>0.89</td><td>59</td><td>0.71</td></tr> <tr><td>18'</td><td>8'</td><td>43</td><td>0.47</td><td>31</td><td>0.37</td></tr> <tr><td>22'</td><td>10'</td><td>27</td><td>0.29</td><td>30</td><td>0.36</td></tr> </tbody> </table>	Ceiling Height	Fixture Spacing	RCR 2		RCR 4		FC *	W/Sq. Ft.	FC *	W/Sq. Ft.	14'	6'	83	0.89	59	0.71	18'	8'	43	0.47	31	0.37	22'	10'	27	0.29	30	0.36	
Mounting Distance	FC at Beam Center		Diameter at Beam Angle	FC at Beam Edge																																																																
8'	100 fc		5.4'	42 fc																																																																
10'	64 fc		6.7'	27 fc																																																																
12'	44 fc		8.1'	19 fc																																																																
14'	33 fc		9.4'	14 fc																																																																
16'	25 fc		10.8'	11 fc																																																																
20'	16 fc		13.5'	7 fc																																																																
24'	11 fc		16.2'	5 fc																																																																
28'	8 fc		18.9'	3 fc																																																																
Ceiling Height	Fixture Spacing		RCR 2		RCR 4																																																															
			FC *	W/Sq. Ft.	FC *	W/Sq. Ft.																																																														
14'	6'	83	0.89	59	0.71																																																															
18'	8'	43	0.47	31	0.37																																																															
22'	10'	27	0.29	30	0.36																																																															
Delivered Lumens: 2751 Luminaire Watts: 30.4 LER: 90.49		CP at 0° (Nadir): 6396 CRI: 80+		Beam Angle: 37° Spacing Ratio: 0.60		Lumen Multiplier: 20L x 0.47, 30L x 0.73 CCT Multiplier: 27K x 0.96, 30K x 0.99, 40K x 1.04																																																														

Delivered Lumens: 2751  
Luminaire Watts: 30.4  
LER: 90.49

CP at 0° (Nadir): 6396  
CRI: 80+

Beam Angle: 37°  
Spacing Ratio: 0.60

Lumen Multiplier: 20L x 0.47, 30L x 0.73  
CCT Multiplier: 27K x 0.96, 30K x 0.99, 40K x 1.04

## STC3PC 40L 35K XW XX NL

CANDLEPOWER CURVE TEST SP-00596_23	INTENSITY CANDELA 0° AZIMUTH	ZONAL LUMENS	SINGLE UNIT: PERFORMANCE HORIZONTAL FOOTCANDLES INITIAL DOWNLIGHT ONLY	MULTIPLE UNITS: PERFORMANCE 80/50/20% REFLECTANCES HORIZONTAL FOOTCANDLES AND WATTS/SQ FT																																																																
	0°	0° - 10° 273 10%	<table border="1"> <thead> <tr> <th>Mounting Distance</th> <th>FC at Beam Center</th> <th>Diameter at Beam Angle</th> <th>FC at Beam Edge</th> </tr> </thead> <tbody> <tr><td>8'</td><td>46 fc</td><td>9.8'</td><td>14 fc</td></tr> <tr><td>10'</td><td>29 fc</td><td>12.2'</td><td>9 fc</td></tr> <tr><td>12'</td><td>20 fc</td><td>14.6'</td><td>6 fc</td></tr> <tr><td>14'</td><td>15 fc</td><td>17.1'</td><td>5 fc</td></tr> <tr><td>16'</td><td>11 fc</td><td>19.5'</td><td>4 fc</td></tr> <tr><td>20'</td><td>7 fc</td><td>24.4'</td><td>2 fc</td></tr> <tr><td>24'</td><td>5 fc</td><td>29.3'</td><td>2 fc</td></tr> <tr><td>28'</td><td>4 fc</td><td>34.2'</td><td>1 fc</td></tr> </tbody> </table>	Mounting Distance	FC at Beam Center	Diameter at Beam Angle	FC at Beam Edge	8'	46 fc	9.8'	14 fc	10'	29 fc	12.2'	9 fc	12'	20 fc	14.6'	6 fc	14'	15 fc	17.1'	5 fc	16'	11 fc	19.5'	4 fc	20'	7 fc	24.4'	2 fc	24'	5 fc	29.3'	2 fc	28'	4 fc	34.2'	1 fc	<table border="1"> <thead> <tr> <th rowspan="2">Ceiling Height</th> <th rowspan="2">Fixture Spacing</th> <th colspan="2">RCR 2</th> <th colspan="2">RCR 4</th> </tr> <tr> <th>FC *</th> <th>W/Sq. Ft.</th> <th>FC *</th> <th>W/Sq. Ft.</th> </tr> </thead> <tbody> <tr><td>14'</td><td>8'</td><td>36</td><td>0.40</td><td>32</td><td>0.40</td></tr> <tr><td>18'</td><td>10'</td><td>26</td><td>0.28</td><td>17</td><td>0.21</td></tr> <tr><td>22'</td><td>12'</td><td>16</td><td>0.17</td><td>18</td><td>0.23</td></tr> </tbody> </table>	Ceiling Height	Fixture Spacing	RCR 2		RCR 4		FC *	W/Sq. Ft.	FC *	W/Sq. Ft.	14'	8'	36	0.40	32	0.40	18'	10'	26	0.28	17	0.21	22'	12'	16	0.17	18	0.23
	Mounting Distance	FC at Beam Center		Diameter at Beam Angle	FC at Beam Edge																																																															
	8'	46 fc		9.8'	14 fc																																																															
	10'	29 fc		12.2'	9 fc																																																															
	12'	20 fc		14.6'	6 fc																																																															
	14'	15 fc		17.1'	5 fc																																																															
	16'	11 fc		19.5'	4 fc																																																															
	20'	7 fc		24.4'	2 fc																																																															
	24'	5 fc		29.3'	2 fc																																																															
	28'	4 fc		34.2'	1 fc																																																															
	Ceiling Height	Fixture Spacing		RCR 2		RCR 4																																																														
				FC *	W/Sq. Ft.	FC *	W/Sq. Ft.																																																													
14'	8'	36	0.40	32	0.40																																																															
18'	10'	26	0.28	17	0.21																																																															
22'	12'	16	0.17	18	0.23																																																															
0° 2925	0° - 20° 973 35%	<table border="1"> <thead> <tr> <th>Mounting Distance</th> <th>FC at Beam Center</th> <th>Diameter at Beam Angle</th> <th>FC at Beam Edge</th> </tr> </thead> <tbody> <tr><td>8'</td><td>46 fc</td><td>9.8'</td><td>14 fc</td></tr> <tr><td>10'</td><td>29 fc</td><td>12.2'</td><td>9 fc</td></tr> <tr><td>12'</td><td>20 fc</td><td>14.6'</td><td>6 fc</td></tr> <tr><td>14'</td><td>15 fc</td><td>17.1'</td><td>5 fc</td></tr> <tr><td>16'</td><td>11 fc</td><td>19.5'</td><td>4 fc</td></tr> <tr><td>20'</td><td>7 fc</td><td>24.4'</td><td>2 fc</td></tr> <tr><td>24'</td><td>5 fc</td><td>29.3'</td><td>2 fc</td></tr> <tr><td>28'</td><td>4 fc</td><td>34.2'</td><td>1 fc</td></tr> </tbody> </table>	Mounting Distance	FC at Beam Center	Diameter at Beam Angle	FC at Beam Edge	8'	46 fc	9.8'	14 fc	10'	29 fc	12.2'	9 fc	12'	20 fc	14.6'	6 fc	14'	15 fc	17.1'	5 fc	16'	11 fc	19.5'	4 fc	20'	7 fc	24.4'	2 fc	24'	5 fc	29.3'	2 fc	28'	4 fc	34.2'	1 fc	<table border="1"> <thead> <tr> <th rowspan="2">Ceiling Height</th> <th rowspan="2">Fixture Spacing</th> <th colspan="2">RCR 2</th> <th colspan="2">RCR 4</th> </tr> <tr> <th>FC *</th> <th>W/Sq. Ft.</th> <th>FC *</th> <th>W/Sq. Ft.</th> </tr> </thead> <tbody> <tr><td>14'</td><td>8'</td><td>36</td><td>0.40</td><td>32</td><td>0.40</td></tr> <tr><td>18'</td><td>10'</td><td>26</td><td>0.28</td><td>17</td><td>0.21</td></tr> <tr><td>22'</td><td>12'</td><td>16</td><td>0.17</td><td>18</td><td>0.23</td></tr> </tbody> </table>	Ceiling Height	Fixture Spacing	RCR 2		RCR 4		FC *	W/Sq. Ft.	FC *	W/Sq. Ft.	14'	8'	36	0.40	32	0.40	18'	10'	26	0.28	17	0.21	22'	12'	16	0.17	18	0.23	
Mounting Distance	FC at Beam Center		Diameter at Beam Angle	FC at Beam Edge																																																																
8'	46 fc		9.8'	14 fc																																																																
10'	29 fc		12.2'	9 fc																																																																
12'	20 fc		14.6'	6 fc																																																																
14'	15 fc		17.1'	5 fc																																																																
16'	11 fc		19.5'	4 fc																																																																
20'	7 fc		24.4'	2 fc																																																																
24'	5 fc		29.3'	2 fc																																																																
28'	4 fc		34.2'	1 fc																																																																
Ceiling Height	Fixture Spacing		RCR 2		RCR 4																																																															
			FC *	W/Sq. Ft.	FC *	W/Sq. Ft.																																																														
14'	8'	36	0.40	32	0.40																																																															
18'	10'	26	0.28	17	0.21																																																															
22'	12'	16	0.17	18	0.23																																																															
5° 2842	0° - 30° 1889 68%	<table border="1"> <thead> <tr> <th>Mounting Distance</th> <th>FC at Beam Center</th> <th>Diameter at Beam Angle</th> <th>FC at Beam Edge</th> </tr> </thead> <tbody> <tr><td>8'</td><td>46 fc</td><td>9.8'</td><td>14 fc</td></tr> <tr><td>10'</td><td>29 fc</td><td>12.2'</td><td>9 fc</td></tr> <tr><td>12'</td><td>20 fc</td><td>14.6'</td><td>6 fc</td></tr> <tr><td>14'</td><td>15 fc</td><td>17.1'</td><td>5 fc</td></tr> <tr><td>16'</td><td>11 fc</td><td>19.5'</td><td>4 fc</td></tr> <tr><td>20'</td><td>7 fc</td><td>24.4'</td><td>2 fc</td></tr> <tr><td>24'</td><td>5 fc</td><td>29.3'</td><td>2 fc</td></tr> <tr><td>28'</td><td>4 fc</td><td>34.2'</td><td>1 fc</td></tr> </tbody> </table>	Mounting Distance	FC at Beam Center	Diameter at Beam Angle	FC at Beam Edge	8'	46 fc	9.8'	14 fc	10'	29 fc	12.2'	9 fc	12'	20 fc	14.6'	6 fc	14'	15 fc	17.1'	5 fc	16'	11 fc	19.5'	4 fc	20'	7 fc	24.4'	2 fc	24'	5 fc	29.3'	2 fc	28'	4 fc	34.2'	1 fc	<table border="1"> <thead> <tr> <th rowspan="2">Ceiling Height</th> <th rowspan="2">Fixture Spacing</th> <th colspan="2">RCR 2</th> <th colspan="2">RCR 4</th> </tr> <tr> <th>FC *</th> <th>W/Sq. Ft.</th> <th>FC *</th> <th>W/Sq. Ft.</th> </tr> </thead> <tbody> <tr><td>14'</td><td>8'</td><td>36</td><td>0.40</td><td>32</td><td>0.40</td></tr> <tr><td>18'</td><td>10'</td><td>26</td><td>0.28</td><td>17</td><td>0.21</td></tr> <tr><td>22'</td><td>12'</td><td>16</td><td>0.17</td><td>18</td><td>0.23</td></tr> </tbody> </table>	Ceiling Height	Fixture Spacing	RCR 2		RCR 4		FC *	W/Sq. Ft.	FC *	W/Sq. Ft.	14'	8'	36	0.40	32	0.40	18'	10'	26	0.28	17	0.21	22'	12'	16	0.17	18	0.23	
Mounting Distance	FC at Beam Center		Diameter at Beam Angle	FC at Beam Edge																																																																
8'	46 fc		9.8'	14 fc																																																																
10'	29 fc		12.2'	9 fc																																																																
12'	20 fc		14.6'	6 fc																																																																
14'	15 fc		17.1'	5 fc																																																																
16'	11 fc		19.5'	4 fc																																																																
20'	7 fc		24.4'	2 fc																																																																
24'	5 fc		29.3'	2 fc																																																																
28'	4 fc		34.2'	1 fc																																																																
Ceiling Height	Fixture Spacing		RCR 2		RCR 4																																																															
			FC *	W/Sq. Ft.	FC *	W/Sq. Ft.																																																														
14'	8'	36	0.40	32	0.40																																																															
18'	10'	26	0.28	17	0.21																																																															
22'	12'	16	0.17	18	0.23																																																															
15° 2451	0° - 40° 2515 90%	<table border="1"> <thead> <tr> <th>Mounting Distance</th> <th>FC at Beam Center</th> <th>Diameter at Beam Angle</th> <th>FC at Beam Edge</th> </tr> </thead> <tbody> <tr><td>8'</td><td>46 fc</td><td>9.8'</td><td>14 fc</td></tr> <tr><td>10'</td><td>29 fc</td><td>12.2'</td><td>9 fc</td></tr> <tr><td>12'</td><td>20 fc</td><td>14.6'</td><td>6 fc</td></tr> <tr><td>14'</td><td>15 fc</td><td>17.1'</td><td>5 fc</td></tr> <tr><td>16'</td><td>11 fc</td><td>19.5'</td><td>4 fc</td></tr> <tr><td>20'</td><td>7 fc</td><td>24.4'</td><td>2 fc</td></tr> <tr><td>24'</td><td>5 fc</td><td>29.3'</td><td>2 fc</td></tr> <tr><td>28'</td><td>4 fc</td><td>34.2'</td><td>1 fc</td></tr> </tbody> </table>	Mounting Distance	FC at Beam Center	Diameter at Beam Angle	FC at Beam Edge	8'	46 fc	9.8'	14 fc	10'	29 fc	12.2'	9 fc	12'	20 fc	14.6'	6 fc	14'	15 fc	17.1'	5 fc	16'	11 fc	19.5'	4 fc	20'	7 fc	24.4'	2 fc	24'	5 fc	29.3'	2 fc	28'	4 fc	34.2'	1 fc	<table border="1"> <thead> <tr> <th rowspan="2">Ceiling Height</th> <th rowspan="2">Fixture Spacing</th> <th colspan="2">RCR 2</th> <th colspan="2">RCR 4</th> </tr> <tr> <th>FC *</th> <th>W/Sq. Ft.</th> <th>FC *</th> <th>W/Sq. Ft.</th> </tr> </thead> <tbody> <tr><td>14'</td><td>8'</td><td>36</td><td>0.40</td><td>32</td><td>0.40</td></tr> <tr><td>18'</td><td>10'</td><td>26</td><td>0.28</td><td>17</td><td>0.21</td></tr> <tr><td>22'</td><td>12'</td><td>16</td><td>0.17</td><td>18</td><td>0.23</td></tr> </tbody> </table>	Ceiling Height	Fixture Spacing	RCR 2		RCR 4		FC *	W/Sq. Ft.	FC *	W/Sq. Ft.	14'	8'	36	0.40	32	0.40	18'	10'	26	0.28	17	0.21	22'	12'	16	0.17	18	0.23	
Mounting Distance	FC at Beam Center		Diameter at Beam Angle	FC at Beam Edge																																																																
8'	46 fc		9.8'	14 fc																																																																
10'	29 fc		12.2'	9 fc																																																																
12'	20 fc		14.6'	6 fc																																																																
14'	15 fc		17.1'	5 fc																																																																
16'	11 fc		19.5'	4 fc																																																																
20'	7 fc		24.4'	2 fc																																																																
24'	5 fc		29.3'	2 fc																																																																
28'	4 fc		34.2'	1 fc																																																																
Ceiling Height	Fixture Spacing		RCR 2		RCR 4																																																															
			FC *	W/Sq. Ft.	FC *	W/Sq. Ft.																																																														
14'	8'	36	0.40	32	0.40																																																															
18'	10'	26	0.28	17	0.21																																																															
22'	12'	16	0.17	18	0.23																																																															
25° 1994	0° - 60° 2762 99%	<table border="1"> <thead> <tr> <th>Mounting Distance</th> <th>FC at Beam Center</th> <th>Diameter at Beam Angle</th> <th>FC at Beam Edge</th> </tr> </thead> <tbody> <tr><td>8'</td><td>46 fc</td><td>9.8'</td><td>14 fc</td></tr> <tr><td>10'</td><td>29 fc</td><td>12.2'</td><td>9 fc</td></tr> <tr><td>12'</td><td>20 fc</td><td>14.6'</td><td>6 fc</td></tr> <tr><td>14'</td><td>15 fc</td><td>17.1'</td><td>5 fc</td></tr> <tr><td>16'</td><td>11 fc</td><td>19.5'</td><td>4 fc</td></tr> <tr><td>20'</td><td>7 fc</td><td>24.4'</td><td>2 fc</td></tr> <tr><td>24'</td><td>5 fc</td><td>29.3'</td><td>2 fc</td></tr> <tr><td>28'</td><td>4 fc</td><td>34.2'</td><td>1 fc</td></tr> </tbody> </table>	Mounting Distance	FC at Beam Center	Diameter at Beam Angle	FC at Beam Edge	8'	46 fc	9.8'	14 fc	10'	29 fc	12.2'	9 fc	12'	20 fc	14.6'	6 fc	14'	15 fc	17.1'	5 fc	16'	11 fc	19.5'	4 fc	20'	7 fc	24.4'	2 fc	24'	5 fc	29.3'	2 fc	28'	4 fc	34.2'	1 fc	<table border="1"> <thead> <tr> <th rowspan="2">Ceiling Height</th> <th rowspan="2">Fixture Spacing</th> <th colspan="2">RCR 2</th> <th colspan="2">RCR 4</th> </tr> <tr> <th>FC *</th> <th>W/Sq. Ft.</th> <th>FC *</th> <th>W/Sq. Ft.</th> </tr> </thead> <tbody> <tr><td>14'</td><td>8'</td><td>36</td><td>0.40</td><td>32</td><td>0.40</td></tr> <tr><td>18'</td><td>10'</td><td>26</td><td>0.28</td><td>17</td><td>0.21</td></tr> <tr><td>22'</td><td>12'</td><td>16</td><td>0.17</td><td>18</td><td>0.23</td></tr> </tbody> </table>	Ceiling Height	Fixture Spacing	RCR 2		RCR 4		FC *	W/Sq. Ft.	FC *	W/Sq. Ft.	14'	8'	36	0.40	32	0.40	18'	10'	26	0.28	17	0.21	22'	12'	16	0.17	18	0.23	
Mounting Distance	FC at Beam Center		Diameter at Beam Angle	FC at Beam Edge																																																																
8'	46 fc		9.8'	14 fc																																																																
10'	29 fc		12.2'	9 fc																																																																
12'	20 fc		14.6'	6 fc																																																																
14'	15 fc		17.1'	5 fc																																																																
16'	11 fc		19.5'	4 fc																																																																
20'	7 fc		24.4'	2 fc																																																																
24'	5 fc		29.3'	2 fc																																																																
28'	4 fc		34.2'	1 fc																																																																
Ceiling Height	Fixture Spacing		RCR 2		RCR 4																																																															
			FC *	W/Sq. Ft.	FC *	W/Sq. Ft.																																																														
14'	8'	36	0.40	32	0.40																																																															
18'	10'	26	0.28	17	0.21																																																															
22'	12'	16	0.17	18	0.23																																																															
35° 1009	0° - 80° 2787 100%	<table border="1"> <thead> <tr> <th>Mounting Distance</th> <th>FC at Beam Center</th> <th>Diameter at Beam Angle</th> <th>FC at Beam Edge</th> </tr> </thead> <tbody> <tr><td>8'</td><td>46 fc</td><td>9.8'</td><td>14 fc</td></tr> <tr><td>10'</td><td>29 fc</td><td>12.2'</td><td>9 fc</td></tr> <tr><td>12'</td><td>20 fc</td><td>14.6'</td><td>6 fc</td></tr> <tr><td>14'</td><td>15 fc</td><td>17.1'</td><td>5 fc</td></tr> <tr><td>16'</td><td>11 fc</td><td>19.5'</td><td>4 fc</td></tr> <tr><td>20'</td><td>7 fc</td><td>24.4'</td><td>2 fc</td></tr> <tr><td>24'</td><td>5 fc</td><td>29.3'</td><td>2 fc</td></tr> <tr><td>28'</td><td>4 fc</td><td>34.2'</td><td>1 fc</td></tr> </tbody> </table>	Mounting Distance	FC at Beam Center	Diameter at Beam Angle	FC at Beam Edge	8'	46 fc	9.8'	14 fc	10'	29 fc	12.2'	9 fc	12'	20 fc	14.6'	6 fc	14'	15 fc	17.1'	5 fc	16'	11 fc	19.5'	4 fc	20'	7 fc	24.4'	2 fc	24'	5 fc	29.3'	2 fc	28'	4 fc	34.2'	1 fc	<table border="1"> <thead> <tr> <th rowspan="2">Ceiling Height</th> <th rowspan="2">Fixture Spacing</th> <th colspan="2">RCR 2</th> <th colspan="2">RCR 4</th> </tr> <tr> <th>FC *</th> <th>W/Sq. Ft.</th> <th>FC *</th> <th>W/Sq. Ft.</th> </tr> </thead> <tbody> <tr><td>14'</td><td>8'</td><td>36</td><td>0.40</td><td>32</td><td>0.40</td></tr> <tr><td>18'</td><td>10'</td><td>26</td><td>0.28</td><td>17</td><td>0.21</td></tr> <tr><td>22'</td><td>12'</td><td>16</td><td>0.17</td><td>18</td><td>0.23</td></tr> </tbody> </table>	Ceiling Height	Fixture Spacing	RCR 2		RCR 4		FC *	W/Sq. Ft.	FC *	W/Sq. Ft.	14'	8'	36	0.40	32	0.40	18'	10'	26	0.28	17	0.21	22'	12'	16	0.17	18	0.23	
Mounting Distance	FC at Beam Center		Diameter at Beam Angle	FC at Beam Edge																																																																
8'	46 fc		9.8'	14 fc																																																																
10'	29 fc		12.2'	9 fc																																																																
12'	20 fc		14.6'	6 fc																																																																
14'	15 fc		17.1'	5 fc																																																																
16'	11 fc		19.5'	4 fc																																																																
20'	7 fc		24.4'	2 fc																																																																
24'	5 fc		29.3'	2 fc																																																																
28'	4 fc		34.2'	1 fc																																																																
Ceiling Height	Fixture Spacing		RCR 2		RCR 4																																																															
			FC *	W/Sq. Ft.	FC *	W/Sq. Ft.																																																														
14'	8'	36	0.40	32	0.40																																																															
18'	10'	26	0.28	17	0.21																																																															
22'	12'	16	0.17	18	0.23																																																															
45° 221	0° - 90° 2789 100%	<table border="1"> <thead> <tr> <th>Mounting Distance</th> <th>FC at Beam Center</th> <th>Diameter at Beam Angle</th> <th>FC at Beam Edge</th> </tr> </thead> <tbody> <tr><td>8'</td><td>46 fc</td><td>9.8'</td><td>14 fc</td></tr> <tr><td>10'</td><td>29 fc</td><td>12.2'</td><td>9 fc</td></tr> <tr><td>12'</td><td>20 fc</td><td>14.6'</td><td>6 fc</td></tr> <tr><td>14'</td><td>15 fc</td><td>17.1'</td><td>5 fc</td></tr> <tr><td>16'</td><td>11 fc</td><td>19.5'</td><td>4 fc</td></tr> <tr><td>20'</td><td>7 fc</td><td>24.4'</td><td>2 fc</td></tr> <tr><td>24'</td><td>5 fc</td><td>29.3'</td><td>2 fc</td></tr> <tr><td>28'</td><td>4 fc</td><td>34.2'</td><td>1 fc</td></tr> </tbody> </table>	Mounting Distance	FC at Beam Center	Diameter at Beam Angle	FC at Beam Edge	8'	46 fc	9.8'	14 fc	10'	29 fc	12.2'	9 fc	12'	20 fc	14.6'	6 fc	14'	15 fc	17.1'	5 fc	16'	11 fc	19.5'	4 fc	20'	7 fc	24.4'	2 fc	24'	5 fc	29.3'	2 fc	28'	4 fc	34.2'	1 fc	<table border="1"> <thead> <tr> <th rowspan="2">Ceiling Height</th> <th rowspan="2">Fixture Spacing</th> <th colspan="2">RCR 2</th> <th colspan="2">RCR 4</th> </tr> <tr> <th>FC *</th> <th>W/Sq. Ft.</th> <th>FC *</th> <th>W/Sq. Ft.</th> </tr> </thead> <tbody> <tr><td>14'</td><td>8'</td><td>36</td><td>0.40</td><td>32</td><td>0.40</td></tr> <tr><td>18'</td><td>10'</td><td>26</td><td>0.28</td><td>17</td><td>0.21</td></tr> <tr><td>22'</td><td>12'</td><td>16</td><td>0.17</td><td>18</td><td>0.23</td></tr> </tbody> </table>	Ceiling Height	Fixture Spacing	RCR 2		RCR 4		FC *	W/Sq. Ft.	FC *	W/Sq. Ft.	14'	8'	36	0.40	32	0.40	18'	10'	26	0.28	17	0.21	22'	12'	16	0.17	18	0.23	
Mounting Distance	FC at Beam Center		Diameter at Beam Angle	FC at Beam Edge																																																																
8'	46 fc		9.8'	14 fc																																																																
10'	29 fc		12.2'	9 fc																																																																
12'	20 fc		14.6'	6 fc																																																																
14'	15 fc		17.1'	5 fc																																																																
16'	11 fc		19.5'	4 fc																																																																
20'	7 fc		24.4'	2 fc																																																																
24'	5 fc		29.3'	2 fc																																																																
28'	4 fc		34.2'	1 fc																																																																
Ceiling Height	Fixture Spacing		RCR 2		RCR 4																																																															
			FC *	W/Sq. Ft.	FC *	W/Sq. Ft.																																																														
14'	8'	36	0.40	32	0.40																																																															
18'	10'	26	0.28	17	0.21																																																															
22'	12'	16	0.17	18	0.23																																																															
55° 81	Total 2789 100%	<table border="1"> <thead> <tr> <th>Mounting Distance</th> <th>FC at Beam Center</th> <th>Diameter at Beam Angle</th> <th>FC at Beam Edge</th> </tr> </thead> <tbody> <tr><td>8'</td><td>46 fc</td><td>9.8'&lt;/</td></tr></tbody></table>	Mounting Distance	FC at Beam Center	Diameter at Beam Angle	FC at Beam Edge	8'	46 fc	9.8'</																																																											
Mounting Distance	FC at Beam Center		Diameter at Beam Angle	FC at Beam Edge																																																																
8'	46 fc		9.8'</																																																																	

STC3PC 40L 30HK ND xx xx MW NL

CANDLEPOWER CURVE TEST SP-01456_2	INTENSITY CANDELA 0° AZIMUTH	ZONAL LUMENS	SINGLE UNIT: PERFORMANCE HORIZONTAL FOOTCANDLES INITIAL DOWNLIGHT ONLY				MULTIPLE UNITS: PERFORMANCE 80/50/20% REFLECTANCES HORIZONTAL FOOTCANDLES AND WATTS/SQ FT								
			Mounting Distance	FC at Beam Center	Diameter at Beam Angle	FC at Beam Edge	Ceiling Height	Fixture Spacing	RCR 4		RCR 6				
	0°	10253	0° - 10°	765	28%	8'	160 fc	3.3'	75 fc	18'	4'	158	2.16	146	2.17
	5°	8969	0° - 20°	1764	64%	10'	103 fc	4.1'	48 fc	22'	5'	97	1.33	89	1.34
	15°	3604	0° - 30°	2371	85%	12'	71 fc	5.0'	33 fc	26'	6'	65	0.90	60	0.90
	25°	1365	0° - 40°	2547	92%	14'	52 fc	5.8'	25 fc	Delivered Illuminance Rating: (DIR)		73 FC per W/Sq. Ft.		67 FC per W/Sq. Ft.	
	35°	241	0° - 60°	2636	95%	16'	40 fc	6.6'	19 fc	1' Suspension Length to luminous aperture Square rooms used for multiple units: RCR 4: Length & Width = Ceiling Ht. - 3.5' x 2.50 RCR 6: Length & Width = Ceiling Ht. - 3.5' x 1.66 * Average Initial Footcandles at 2.5' Above Floor					
	45°	48	0° - 80°	2746	99%	20'	26 fc	8.3'	12 fc						
	55°	49	0° - 90°	2762	100%	24'	18 fc	9.9'	8 fc						
	90°	1	Total	2775	100%	28'	13 fc	11.6'	6 fc						

Delivered Lumens: 2775  
Luminaire Watts: 35  
LER: 79.29

CP at 0° (Nadir): 10253  
CRI: 90

Beam Angle: 23°  
Spacing Ratio: 0.39

Lumen Multiplier: 10L x 0.24, 20L x 0.49, 30L x 0.73  
CCT Multiplier: 27HK x 0.96, 35HK x 1.05, 40HK x 1.08

STC3PC 40L 30HK MD xx xx MW NL

CANDLEPOWER CURVE TEST SP-01455_2	INTENSITY CANDELA 0° AZIMUTH	ZONAL LUMENS	SINGLE UNIT: PERFORMANCE HORIZONTAL FOOTCANDLES INITIAL DOWNLIGHT ONLY				MULTIPLE UNITS: PERFORMANCE 80/50/20% REFLECTANCES HORIZONTAL FOOTCANDLES AND WATTS/SQ FT								
			Mounting Distance	FC at Beam Center	Diameter at Beam Angle	FC at Beam Edge	Ceiling Height	Fixture Spacing	RCR 3		RCR 5				
	0°	8285	0° - 10°	702	25%	8'	129 fc	4.2'	59 fc	18'	6'	75	0.96	74	1.04
	5°	7737	0° - 20°	1796	64%	10'	83 fc	5.3'	37 fc	22'	7'	58	0.75	45	0.64
	15°	4045	0° - 30°	2430	86%	12'	58 fc	6.3'	26 fc	26'	8'	39	0.51	31	0.43
	25°	1390	0° - 40°	2610	93%	14'	42 fc	7.4'	19 fc	Delivered Illuminance Rating: (DIR)		78 FC per W/Sq. Ft.		71 FC per W/Sq. Ft.	
	35°	250	0° - 60°	2693	96%	16'	32 fc	8.4'	15 fc	1' Suspension Length to luminous aperture Square rooms used for multiple units: RCR 3: Length & Width = Ceiling Ht. - 3.5' x 3.33 RCR 5: Length & Width = Ceiling Ht. - 3.5' x 2.00 * Average Initial Footcandles at 2.5' Above Floor					
	45°	55	0° - 80°	2786	99%	20'	21 fc	10.5'	9 fc						
	55°	45	0° - 90°	2801	100%	24'	14 fc	12.6'	7 fc						
	90°	3	Total	2813	100%	28'	11 fc	14.7'	5 fc						

Delivered Lumens: 2813  
Luminaire Watts: 35  
LER: 80.37

CP at 0° (Nadir): 8285  
CRI: 90

Beam Angle: 29°  
Spacing Ratio: 0.49

Lumen Multiplier: 10L x 0.24, 20L x 0.49, 30L x 0.73  
CCT Multiplier: 27HK x 0.96, 35HK x 1.05, 40HK x 1.08

HOW TO USE PERFORMANCE DATA

SINGLE UNIT	MULTIPLE UNITS
<p>Cone of Light of a single, symmetrical beam luminaire. Direct initial illumination (FC) and Beam Angle diameter directly beneath fixture; shown at different distances from aperture to horizontal plane. Calculated using Inverse Square Law.</p> $FC_H = CP \times (\cos \theta) \div D^2$ <p>Beam Diam. = 1/2 Beam Angle (Tan) x 2D</p> <ul style="list-style-type: none"> <li>• CP Candela at 0° (Nadir)</li> <li>• Cos θ Cosine of θ Angle</li> <li>• D Distance (Mounting Height AFF)</li> <li>• FC<sub>H</sub> Footcandles, Horizontal</li> <li>• Beam Angle Cone of light to 50% max. CP</li> <li>• Beam Diam. Pattern of light at Beam Angle</li> </ul>	<p>Square grid layout of multiple luminaires in unfurnished, square rooms of different proportions (Room Cavity Ratios) with 80/50/20% room surface reflectances. 2' Suspension Length to aperture. Initial average illumination (FC) calculated at 2.5' above floor, using Zonal Cavity Method. W/Sq. Ft. of layout shown for each ceiling height and RCR.</p> <p>Delivered Illuminance Rating (DIR*): System performance indicator expressed as ratio of approximate initial FC per W/Sq. Ft. delivered to horizontal plane below, for the range of ceiling heights indicated.</p> <ul style="list-style-type: none"> <li>• To estimate FC for Fixture Spacing that is different than shown (do not exceed Spacing Ratio): <math>FC = \text{Chart Spacing}^2 \div \text{Different Spacing}^2 \times \text{Chart FC}</math></li> <li>• To estimate Sq. Ft. per fixture for a specific target FC: <math>\text{Sq. Ft.} / \text{Fixture} = \text{Chart FC} \times \text{Chart Spacing}^2 \div \text{Target FC}</math></li> </ul> <ul style="list-style-type: none"> <li>• To estimate Fixture Quantity in a room: <math>\text{Fixture Qty.} = \text{Sq. Ft. of Rm.} \div \text{Sq. Ft. per fixture}</math></li> <li>• To estimate Watts/Sq. Ft.: <math>\text{W/Sq. Ft.} = \text{Luminaire Watts} \times \text{Qty.} \div \text{Sq. Ft. of Rm.}</math></li> </ul>

STC3PC 40L 30HK WD xx xx MW NL

CANDLEPOWER CURVE TEST SP-01457_2	INTENSITY CANDELA 0° AZIMUTH	ZONAL LUMENS	SINGLE UNIT: PERFORMANCE HORIZONTAL FOOTCANDLES INITIAL DOWNLIGHT ONLY	MULTIPLE UNITS: PERFORMANCE 80/50/20% REFLECTANCES HORIZONTAL FOOTCANDLES AND WATTS/SQ FT																																								
	0°	0° - 10° 526 18%	Mounting Distance	<table border="1"> <thead> <tr> <th rowspan="2">Ceiling Height</th> <th rowspan="2">Fixture Spacing</th> <th colspan="2">RCR 2</th> <th colspan="2">RCR 4</th> </tr> <tr> <th>FC *</th> <th>W/Sq. Ft.</th> <th>FC *</th> <th>W/Sq. Ft.</th> </tr> </thead> <tbody> <tr> <td>14'</td> <td>6'</td> <td>85</td> <td>1.03</td> <td>60</td> <td>0.81</td> </tr> <tr> <td>18'</td> <td>8'</td> <td>45</td> <td>0.54</td> <td>32</td> <td>0.43</td> </tr> <tr> <td>22'</td> <td>10'</td> <td>28</td> <td>0.33</td> <td>30</td> <td>0.41</td> </tr> <tr> <td colspan="2">Delivered Illuminance Rating: (DIR)</td> <td colspan="2">83 FC per W/Sq. Ft.</td> <td colspan="2">74 FC per W/Sq. Ft.</td> </tr> <tr> <td colspan="6">                     * 1' Suspension Length to luminous aperture                      Square rooms used for multiple units:                      RCR 2: Length &amp; Width = Ceiling Ht. - 3.5' x 5.00                      RCR 4: Length &amp; Width = Ceiling Ht. - 3.5' x 2.50                      * Average Initial Footcandles at 2.5' Above Floor                 </td> </tr> </tbody> </table>	Ceiling Height	Fixture Spacing	RCR 2		RCR 4		FC *	W/Sq. Ft.	FC *	W/Sq. Ft.	14'	6'	85	1.03	60	0.81	18'	8'	45	0.54	32	0.43	22'	10'	28	0.33	30	0.41	Delivered Illuminance Rating: (DIR)		83 FC per W/Sq. Ft.		74 FC per W/Sq. Ft.		* 1' Suspension Length to luminous aperture Square rooms used for multiple units: RCR 2: Length & Width = Ceiling Ht. - 3.5' x 5.00 RCR 4: Length & Width = Ceiling Ht. - 3.5' x 2.50 * Average Initial Footcandles at 2.5' Above Floor					
	Ceiling Height	Fixture Spacing	RCR 2				RCR 4																																					
			FC *		W/Sq. Ft.	FC *	W/Sq. Ft.																																					
	14'	6'	85		1.03	60	0.81																																					
	18'	8'	45		0.54	32	0.43																																					
	22'	10'	28		0.33	30	0.41																																					
	Delivered Illuminance Rating: (DIR)		83 FC per W/Sq. Ft.		74 FC per W/Sq. Ft.																																							
	* 1' Suspension Length to luminous aperture Square rooms used for multiple units: RCR 2: Length & Width = Ceiling Ht. - 3.5' x 5.00 RCR 4: Length & Width = Ceiling Ht. - 3.5' x 2.50 * Average Initial Footcandles at 2.5' Above Floor																																											
	0° 5915	0° - 20° 1613 56%	8' 92 fc 5.7' 39 fc																																									
	5° 5660	0° - 30° 2441 85%	10' 59 fc 7.1' 25 fc																																									
	15° 3928	0° - 40° 2657 93%	12' 41 fc 8.6' 17 fc																																									
	25° 1834	0° - 60° 2751 96%	14' 30 fc 10.0' 13 fc																																									
35° 250	0° - 80° 2836 99%	16' 23 fc 11.4' 10 fc																																										
45° 61	0° - 90° 2850 100%	20' 15 fc 14.3' 6 fc																																										
55° 52	Total 2862 100%	24' 10 fc 17.1' 4 fc																																										
90° 3		28' 8 fc 20.0' 3 fc																																										

Delivered Lumens: 2862  
Luminaire Watts: 35  
LER: 81.77

CP at 0° (Nadir): 5915  
CRI: 90

Beam Angle: 39°  
Spacing Ratio: 0.62

Lumen Multiplier: 10L x 0.24, 20L x 0.49, 30L x 0.73  
CCT Multiplier: 27HK x 0.96, 35HK x 1.05, 40HK x 1.08

STC3PC 40L 30HK XW xx xx MW NL

CANDLEPOWER CURVE TEST SP-01458_2	INTENSITY CANDELA 0° AZIMUTH	ZONAL LUMENS	SINGLE UNIT: PERFORMANCE HORIZONTAL FOOTCANDLES INITIAL DOWNLIGHT ONLY	MULTIPLE UNITS: PERFORMANCE 80/50/20% REFLECTANCES HORIZONTAL FOOTCANDLES AND WATTS/SQ FT																																								
	0°	0° - 10° 238 9%	Mounting Distance	<table border="1"> <thead> <tr> <th rowspan="2">Ceiling Height</th> <th rowspan="2">Fixture Spacing</th> <th colspan="2">RCR 2</th> <th colspan="2">RCR 4</th> </tr> <tr> <th>FC *</th> <th>W/Sq. Ft.</th> <th>FC *</th> <th>W/Sq. Ft.</th> </tr> </thead> <tbody> <tr> <td>14'</td> <td>8'</td> <td>32</td> <td>0.46</td> <td>28</td> <td>0.46</td> </tr> <tr> <td>18'</td> <td>10'</td> <td>23</td> <td>0.33</td> <td>15</td> <td>0.24</td> </tr> <tr> <td>22'</td> <td>12'</td> <td>14</td> <td>0.20</td> <td>16</td> <td>0.26</td> </tr> <tr> <td colspan="2">Delivered Illuminance Rating: (DIR)</td> <td colspan="2">71 FC per W/Sq. Ft.</td> <td colspan="2">61 FC per W/Sq. Ft.</td> </tr> <tr> <td colspan="6">                     * 1' Suspension Length to luminous aperture                      Square rooms used for multiple units:                      RCR 2: Length &amp; Width = Ceiling Ht. - 3.5' x 5.00                      RCR 4: Length &amp; Width = Ceiling Ht. - 3.5' x 2.50                      * Average Initial Footcandles at 2.5' Above Floor                 </td> </tr> </tbody> </table>	Ceiling Height	Fixture Spacing	RCR 2		RCR 4		FC *	W/Sq. Ft.	FC *	W/Sq. Ft.	14'	8'	32	0.46	28	0.46	18'	10'	23	0.33	15	0.24	22'	12'	14	0.20	16	0.26	Delivered Illuminance Rating: (DIR)		71 FC per W/Sq. Ft.		61 FC per W/Sq. Ft.		* 1' Suspension Length to luminous aperture Square rooms used for multiple units: RCR 2: Length & Width = Ceiling Ht. - 3.5' x 5.00 RCR 4: Length & Width = Ceiling Ht. - 3.5' x 2.50 * Average Initial Footcandles at 2.5' Above Floor					
	Ceiling Height	Fixture Spacing	RCR 2				RCR 4																																					
			FC *		W/Sq. Ft.	FC *	W/Sq. Ft.																																					
	14'	8'	32		0.46	28	0.46																																					
	18'	10'	23		0.33	15	0.24																																					
	22'	12'	14		0.20	16	0.26																																					
	Delivered Illuminance Rating: (DIR)		71 FC per W/Sq. Ft.		61 FC per W/Sq. Ft.																																							
	* 1' Suspension Length to luminous aperture Square rooms used for multiple units: RCR 2: Length & Width = Ceiling Ht. - 3.5' x 5.00 RCR 4: Length & Width = Ceiling Ht. - 3.5' x 2.50 * Average Initial Footcandles at 2.5' Above Floor																																											
	0° 2535	0° - 20° 866 34%	8' 40 fc 8.9' 13 fc																																									
	5° 2491	0° - 30° 1634 65%	10' 25 fc 11.1' 8 fc																																									
	15° 2232	0° - 40° 2041 81%	12' 18 fc 13.3' 6 fc																																									
	25° 1729	0° - 60° 2399 95%	14' 13 fc 15.5' 4 fc																																									
35° 619	0° - 80° 2502 99%	16' 10 fc 17.7' 3 fc																																										
45° 294	0° - 90° 2514 100%	20' 6 fc 22.1' 2 fc																																										
55° 153	Total 2525 100%	24' 4 fc 26.6' 1 fc																																										
90° 2		28' 3 fc 31.0' 1 fc																																										

Delivered Lumens: 2525  
Luminaire Watts: 35  
LER: 72.14

CP at 0° (Nadir): 2535  
CRI: 90

Beam Angle: 58°  
Spacing Ratio: 0.93

Lumen Multiplier: 10L x 0.24, 20L x 0.49, 30L x 0.73  
CCT Multiplier: 27HK x 0.96, 35HK x 1.05, 40HK x 1.08

HOW TO USE PERFORMANCE DATA

SINGLE UNIT	MULTIPLE UNITS
<p>Cone of Light of a single, symmetrical beam luminaire. Direct initial illumination (FC) and Beam Angle diameter directly beneath fixture; shown at different distances from aperture to horizontal plane. Calculated using Inverse Square Law.</p> $FC_H = CP \times (\cos \theta) \div D^2$ <p>Beam Diam. = 1/2 Beam Angle (Tan) x 2D</p> <ul style="list-style-type: none"> <li>• CP Candela at 0° (Nadir)</li> <li>• Cos θ Cosine of θ Angle</li> <li>• D Distance (Mounting Height AFF)</li> <li>• FC<sub>H</sub> Footcandles, Horizontal</li> <li>• Beam Angle Cone of light to 50% max. CP</li> <li>• Beam Diam. Pattern of light at Beam Angle</li> </ul>	<p>Square grid layout of multiple luminaires in unfurnished, square rooms of different proportions (Room Cavity Ratios) with 80/50/20% room surface reflectances. 2' Suspension Length to aperture. Initial average illumination (FC) calculated at 2.5' above floor, using Zonal Cavity Method. W/Sq. Ft. of layout shown for each ceiling height and RCR.</p> <p>Delivered Illuminance Rating (DIR*): System performance indicator expressed as ratio of approximate initial FC per W/Sq. Ft. delivered to horizontal plane below, for the range of ceiling heights indicated.</p> <ul style="list-style-type: none"> <li>- To estimate FC for Fixture Spacing that is different than shown (do not exceed Spacing Ratio): <math>FC = \text{Chart Spacing}^2 \div \text{Different Spacing}^2 \times \text{Chart FC}</math></li> <li>- To estimate Sq. Ft. per fixture for a specific target FC: <math>\text{Sq. Ft.} / \text{Fixture} = \text{Chart FC} \times \text{Chart Spacing}^2 \div \text{Target FC}</math></li> </ul> <ul style="list-style-type: none"> <li>- To estimate Fixture Quantity in a room: <math>\text{Fixture Qty.} = \text{Sq. Ft. of Rm.} \div \text{Sq. Ft. per fixture}</math></li> <li>- To estimate Watts/Sq. Ft.: <math>\text{W/Sq. Ft.} = \text{Luminaire Watts} \times \text{Qty.} \div \text{Sq. Ft. of Rm.}</math></li> </ul>