

EVENLIGHT / MILLTOWN SEMI-DIRECT

4.6" x 96" LINEAR

Evenlight & Milltown are a 4" wide linear pendant, wall or surface mount for semi-direct illumination.

WATTAGE / LUMENS DATA / PER FOOT				
PART NUMBER	LUMENS	DELIVERED LUMENS	SYSTEM WATTS	LPW
EVO4IND4GL 05L 35K xx DX xx FS xx	5	1724	15.2	113
EVO4IND4GL 11L 35K xx DX xx FS xx	11	3767	33.6	112
EVO4IND4GL 15L 35K xx DX xx FS xx	15	5172	45.7	113
EVO4IND4GL 20L 35K xx DX xx FS xx	20	6385	57.2	112

Values Based on 3500K, 80CRI, 90CRI to Operate at Same System Watts as 80CRI.

APPLICATION

Evenlight & Milltown are 4" wide linear pendant or surface mount for semi-direct illumination.

FEATURES

Small rectilinear profile for pendant or surface mount applications. Optional wire guard enhances rugged design and aesthetic. LED module and driver are accessible from below for future replacement.

FINISH

Multi-stage polyester powder-coat process applied on our dedicated paint lines. See color page for all available finishes.

ELECTRONICS

LED module features high brightness white LED's. 3-step MacAdam Ellipses binning with CRI 80 & 90 minimum. Variety of electronic 120V/277V and dimming drivers available.

CONSTRUCTION

20ga steel formed housing. High efficiency snap-in acrylic lens. 3/16" flush machined aluminum end caps included. Optional wire guard fabricated from formed 4mm solid steel rod.

OPTICS

Extruded Diffuse White Acrylic Diffuser features smooth sides providing approximately 86% direct, 14% indirect illumination.

CODE COMPLIANCE

BAA Compliant. ETL Certified to meet US and Canadian Standards, suitable for dry or damp locations. Manufactured and tested to UL standards 1598.

PRODUCT SELECTOR GUIDE

SERIES	LUMENS ¹	CCT	DRIVER / VOLTAGE	MOUNTING	OPTICS	FINISH

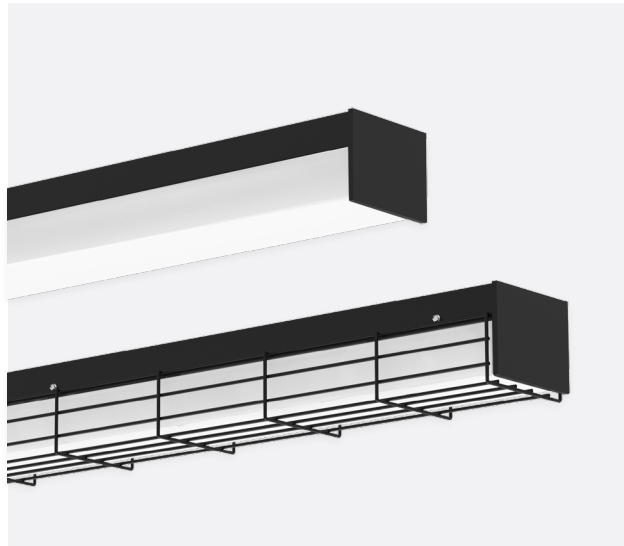
EXAMPLE

EVO4IND4GL	11L	35K	DX	2XCD36	FS	MW
-------------------	-----	-----	----	--------	----	----

SERIES	LUMENS ¹	CCT	DRIVER / VOLTAGE	MOUNTING ³	OPTIONS	FINISH ⁶
EVENLIGHT	5L 500 Lm/Ft	80 CRI	DX 1%, 0-10V, 120V/277V	2XPM⁴ Rigid Pendant Mount	FS Fuse	PT Platinum Silver
EVO4IND2GL	11L 1100 Lm/Ft	30K 3000K		2XHM⁴ Hang Straight		MB Matte Black
EVO4IND4GL	15L 1500 Lm/Ft	35K 3500K		2XCHN⁴ Chain and Cord		MW Matte White
EVO4IND8GL	20L 2000 Lm/Ft	40K 4000K		2XCD⁴ Cord and Cable Mount		
				SM⁵ Surface Mount		
MILLTOWN (FIXTURE W/ WIRE GUARD)		90 CRI				
GL04IND4GL		30HK 3000K				
GL04IND8GL		35HK 3500K				
		40HK 4000K				
	1 Total Nominal Source Lumens			3 See Mounting Pages for Options and Details on Components and Finishes. 5 Specify Length in Inches: See Mounting Page for Available 6 May Be Ceiling or Wall Mount		6 See Color Page for More Options/ Consult Factory for Special Finishes

PROJECT: _____

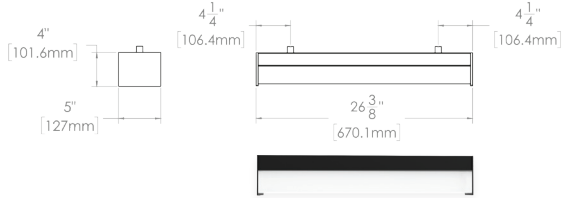
QUANTITY: _____ TYPE: _____



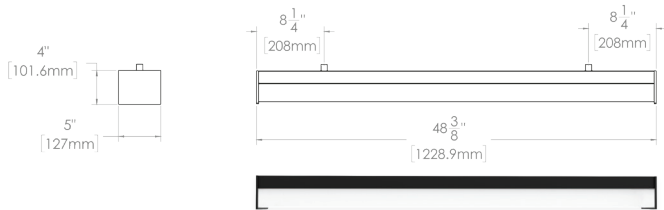
COPYRIGHT 2022 SPECTRUM LIGHTING, INC.

HOUSING DIMENSIONS

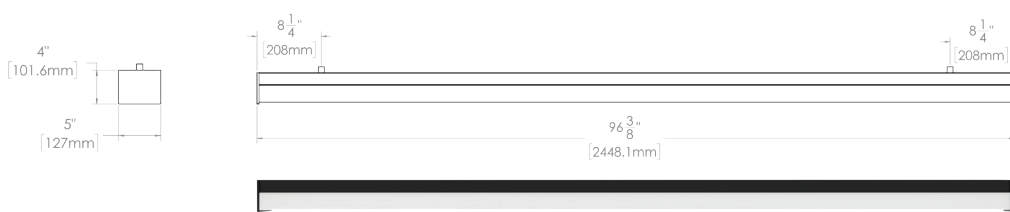
EVO4IND2GL



EVO4IND4GL



EVO4IND8GL



GLO4IN4GL

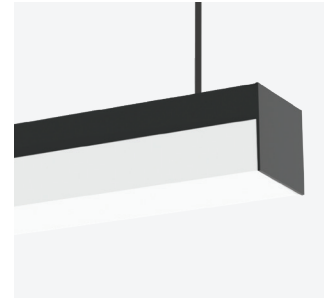


GLO4IN8GL



MOUNTING TYPES

2XHM_/2XPM_
HANG STRAIGHT / RIDGID PENDANT



2XCHN_
CHAIN AND CORD



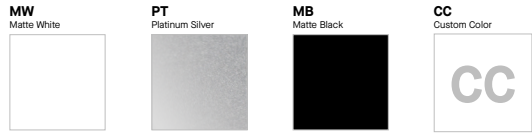
2XCD_
CORD / CABLE MOUNT



SM
SURFACE MOUNT



FINISH



PAINT TIMES

TIER	COST	AVERAGE PAINT TIME*
Tier 1 - Standard Finishes	\$	⌚
Custom Color	Contact Factory	Contact Factory

*CONTACT FACTORY FOR SPECIFIC PRODUCT LEAD TIMES

STANDARD CORD / CANOPY FINISHES

FIXTURE COLOR	STANDARD CORD COLOR	STANDARD CANOPY
Matte White	Matte White	Matte White
Matte Black	Matte Black	Matte Black
All Others	Matte Black	Same Color as Fixture
Custom Color	Contact Factory	Contact Factory

EVENLIGHT PENDANT

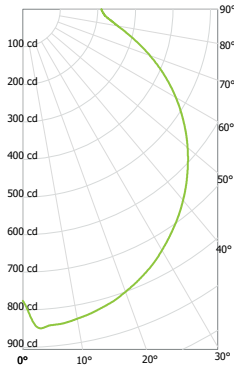
2.3" x 3.3" LINEAR



Spectrum Lighting

EVENLIGHT - EVO4IND2GL

CANDLEPOWER CURVE TEST SP-01620_3



INTENSITY CANDELA 0° AZIMUTH

0°	0° - 10°	75	2%
0°	0° - 20°	290	9%
5°	0° - 30°	624	20%
15°	0° - 40°	1042	33%
25°	0° - 60°	1942	61%
35°	0° - 80°	2598	81%
45°	0° - 90°	2778	87%
55°			
90°	Total	3193	100%

SINGLE UNIT: PERFORMANCE HORIZONTAL FOOTCANDLES INITIAL DOWNLIGHT ONLY

Mounting Distance	FC at Beam Center	Diameter at Beam Angle	FC at Beam Edge
6.5'	18 fc	32.1'	1 fc
7.5'	14 fc	37.0'	1 fc
8.5'	11 fc	41.9'	0 fc
10.0'	8 fc	49.3'	0 fc
12.0'	5 fc	59.2'	0 fc
14.0'	4 fc	69.0'	0 fc
16.0'	3 fc	78.9'	0 fc
20.0'	2 fc	98.6'	0 fc

MULTIPLE UNITS: PERFORMANCE 80/50/20% REFLECTANCES HORIZONTAL FOOTCANDLES AND WATTS/SQ FT

RCR 3					RCR 5				
Room Size	Fixture Grid	FC*	W/ Sq.Ft.	DIR*	Room Size	Fixture Grid	FC*	W/ Sq.Ft.	DIR*
18'x18' 9' tall	6'x6'	62	0.79	79	11'x11' 9' tall	6'x6'	58	0.95	62
28'x28' 12' tall	8'x10'	34	0.44	79	17'x17' 12' tall	6'x8'	37	0.59	62
42'x42' 16' tall	12'x12'	20	0.26	79	25'x25' 16' tall	10'x10'	25	0.41	62

1' Suspension Length to luminous aperture
* Average Initial Footcandles at 2.5' Above Floor
* Delivered Illuminance Rating in FC per W/Sq.Ft.

Delivered Lumens: 3193
Luminaire Watts: 28.6
LER: 111.64

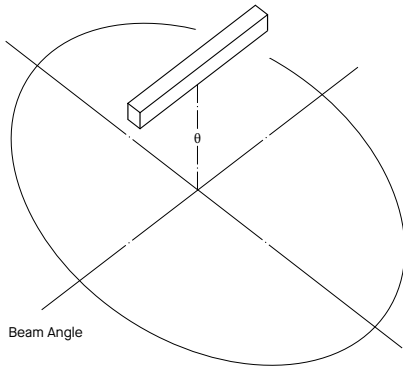
CP at 0° (Nadir): 776
Peak Candela: 858 cd at 8°
CRI: 80+

Beam Angle: 135° x 107°
Spacing Ratio: 1.39 x 1.23
Melanopic Ratio: 0.55

Lumen Multiplier: 5L x 0.13, 11L x 0.29, 15L x 0.39
CCT Multiplier: 30K x 0.98, 40K x 1.0

HOW TO USE PERFORMANCE DATA

SINGLE UNIT | MULTIPLE UNITS



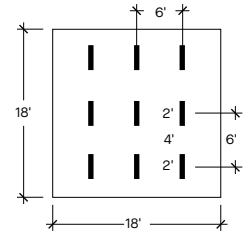
Grid layout of multiple luminaires in unfurnished, square rooms of different proportions (Room Cavity Ratios) with 80/50/20% room surface reflectances. 1' Suspension Length to aperture. Initial average illumination (FC) calculated at 2.5' above floor, using Zonal Cavity Method. W/Sq. Ft. of layout shown for each ceiling height and RCR.

Delivered Illuminance Rating (DIR*): System performance indicator expressed as ratio of approximate initial FC per W/Sq. Ft. delivered to horizontal plane below, for the range of ceiling heights indicated.

- To estimate FC for Fixture Spacing that is different than shown (do not exceed Spacing Ratio):
 $FC = (\text{Fixture Grid area}) / (\text{Different Grid area}) \times \text{Chart FC}$
- To estimate Sq. Ft. per fixture for a specific target FC:
 $\text{Sq. Ft.} / \text{Fixture} = \text{Chart FC} \times (\text{Fixture Grid area}) / \text{Target FC}$

Sample layout as calculated above:

RCR 3				
Room Size	Fixture Grid	FC*	W/ Sq.Ft.	DIR*
18'x18' 9' tall	6'x6'	62	0.79	79



- To estimate Fixture Quantity in a room:
 $\text{Fixture Qty.} = \text{Sq. Ft. of Rm.} / \text{Sq. Ft. per fixture}$
- To estimate Watts/Sq. Ft.:
 $\text{W/ Sq. Ft.} = \text{Fixture Qty.} \times \text{Luminaire Watts} / \text{Sq. Ft. of Rm.}$

EVENLIGHT - EVO4IND4GL

CANDLEPOWER CURVE TEST SP-01621_3	INTENSITY CANDELA 0° AZIMUTH	ZONAL LUMENS	SINGLE UNIT: PERFORMANCE HORIZONTAL FOOTCANDLES INITIAL DOWNLIGHT ONLY				MULTIPLE UNITS: PERFORMANCE 80/50/20% REFLECTANCES HORIZONTAL FOOTCANDLES AND WATTS/SQ FT									
			Mounting Distance	FC at Beam Center	Diameter at Beam Angle	FC at Beam Edge	RCR 2					RCR 4				
0°		0° - 10°	150	2%	Room Size	Fixture Grid	FC*	W/ Sq.Ft.	DIR*	Room Size	Fixture Grid	FC*	W/ Sq.Ft.	DIR*		
	0°	0° - 10°	150	2%	6.5'	8'x7'	59	0.66	90	14'x14' 9" tall	6'x7'	81	1.17	69		
	0°	0° - 20°	580	9%	7.5'	10'x10'	45	0.49	90	21'x21' 12" tall	10'x10'	36	0.52	69		
	5°	0° - 30°	1249	20%	8.5'	12'x12'	32	0.36	90	31'x31' 16" tall	10'x12'	37	0.54	69		
	15°	0° - 40°	2085	33%	10.0'											
	25°	0° - 60°	3885	61%	12.0'											
	35°	0° - 80°	5196	81%	14.0'											
	45°	0° - 90°	5556	87%	16.0'											
	55°	Total	6385	100%	20.0'											
	90°															

Delivered Lumens: 6385
Luminaire Watts: 57.2
LER: 111.63

CP at 0° (Nadir): 1553
Peak Candela: 1716 cd at 8°
CRI: 80+

Beam Angle: 135° x 107°
Spacing Ratio: 1.39 x 1.23
Melanopic Ratio 0.55

Lumen Multiplier: 5L x 0.27, 11L x 0.59, 15L x 0.81
CCT Multiplier: 30K x 0.98, 40K x 1.0

MILLTOWN - GLO4IND4GL

CANDLEPOWER CURVE TEST SP-01618_3	INTENSITY CANDELA 0° AZIMUTH	ZONAL LUMENS	SINGLE UNIT: PERFORMANCE HORIZONTAL FOOTCANDLES INITIAL DOWNLIGHT ONLY				MULTIPLE UNITS: PERFORMANCE 80/50/20% REFLECTANCES HORIZONTAL FOOTCANDLES AND WATTS/SQ FT									
			Mounting Distance	FC at Beam Center	Diameter at Beam Angle	FC at Beam Edge	RCR 2					RCR 4				
0°		0° - 10°	139	2%	Room Size	Fixture Grid	FC*	W/ Sq.Ft.	DIR*	Room Size	Fixture Grid	FC*	W/ Sq.Ft.	DIR*		
	0°	0° - 10°	139	2%	6.5'	8'x7'	55	0.66	84	14'x14' 9" tall	6'x7'	75	1.17	64		
	0°	0° - 20°	536	9%	7.5'	10'x10'	41	0.49	84	21'x21' 12" tall	10'x10'	33	0.52	64		
	5°	0° - 30°	1151	19%	8.5'	12'x12'	30	0.36	84	31'x31' 16" tall	10'x12'	34	0.54	64		
	15°	0° - 40°	1918	32%	10.0'											
	25°	0° - 60°	3566	60%	12.0'											
	35°	0° - 80°	4779	80%	14.0'											
	45°	0° - 90°	5131	86%	16.0'											
	55°	Total	5954	100%	20.0'											
	90°															

Delivered Lumens: 5954
Luminaire Watts: 57.2
LER: 104.09

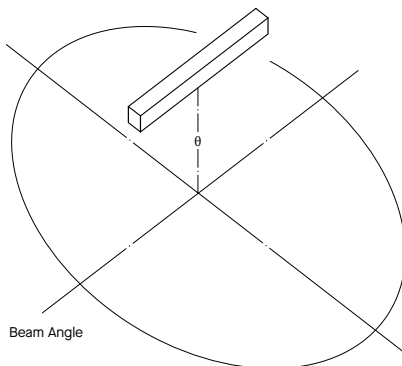
CP at 0° (Nadir): 1443
Peak Candela: 1587 cd at 3°
CRI: 80+

Beam Angle: 134° x 108°
Spacing Ratio: 1.41 x 1.18
Melanopic Ratio 0.54

Lumen Multiplier: 5L x 0.26, 11L x 0.57, 15L x 0.78
CCT Multiplier: 30K x 0.98, 40K x 1.0

HOW TO USE PERFORMANCE DATA

SINGLE UNIT MULTIPLE UNITS



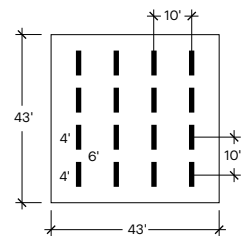
Grid layout of multiple luminaires in unfurnished, square rooms of different proportions (Room Cavity Ratios) with 80/50/20% room surface reflectances. 1' Suspension Length to aperture. Initial average illumination (FC) calculated at 2.5' above floor, using Zonal Cavity Method. W/Sq. Ft. of layout shown for each ceiling height and RCR.

Delivered Illuminance Rating (DIR)*:
System performance indicator expressed as ratio of approximate initial FC per W/Sq. Ft. delivered to horizontal plane below, for the range of ceiling heights indicated.

- To estimate FC for Fixture Spacing that is different than shown (do not exceed Spacing Ratio):
FC = (Fixture Grid area) / (Different Grid area) x Chart FC
- To estimate Sq. Ft. per fixture for a specific target FC:
Sq. Ft. / Fixture = Chart FC x (Fixture Grid area) / Target FC

Sample layout as calculated above:

RCR 2				
Room Size	Fixture Grid	FC*	W/ Sq.Ft.	DIR*
43'x43' 12' tall	10'x10'	45	0.49	90



- To estimate Fixture Quantity in a room:
Fixture Qty. = Sq. Ft. of Rm. / Sq. Ft. per fixture
- To estimate Watts/Sq. Ft.:
W/ Sq. Ft. = Fixture Qty. x Luminaire Watts / Sq. Ft. of Rm.

EVENLIGHT - EVO4IND8GL

CANDLEPOWER CURVE TEST SP-01622_3	INTENSITY CANDELA 0° AZIMUTH	ZONAL LUMENS	SINGLE UNIT: PERFORMANCE HORIZONTAL FOOTCANDLES INITIAL DOWNLIGHT ONLY				MULTIPLE UNITS: PERFORMANCE 80/50/20% REFLECTANCES HORIZONTAL FOOTCANDLES AND WATTS/SQ FT													
			Mounting Distance	FC at Beam Center	Diameter at Beam Angle	FC at Beam Edge	RCR 2					RCR 4								
		0°	0° - 10°	300	2%						Room Size	Fixture Grid	FC+	W/ Sq.Ft.	DIR*	Room Size	Fixture Grid	FC+	W/ Sq.Ft.	DIR*
	0°	3105	0° - 10°	1160	9%	6.5'	73 fc	32.1'	3 fc											
	5°	3377	0° - 20°	2497	20%	7.5'	55 fc	37.0'	2 fc	28'x28' 9' tall	12'x8'	79	0.88	90	14'x14' 9' tall	0'x8'	81	1.17	69	
	15°	3285	0° - 30°	2497	20%	8.5'	43 fc	41.9'	2 fc	43'x43' 12' tall	12'x12'	50	0.56	90	21'x21' 12' tall	8'x12'	72	1.04	69	
	25°	3095	0° - 40°	4170	33%	10.0'	31 fc	49.3'	1 fc	63'x63' 16' tall	14'x15'	42	0.46	90	31'x31' 16' tall	12'x15'	33	0.48	69	
	35°	2816	0° - 60°	7769	61%	12.0'	22 fc	59.2'	1 fc	1' Suspension Length to luminous aperture * Average Initial Footcandles at 2.5' Above Floor * Delivered Illuminance Rating in FC per W/Sq.Ft.										
	45°	2478	0° - 80°	10393	81%	14.0'	16 fc	69.0'	1 fc											
	55°	2092	0° - 90°	11111	87%	16.0'	12 fc	78.9'	1 fc											
	90°	838	Total	12771	100%	20.0'	8 fc	98.6'	0 fc											

Delivered Lumens: 12771
Luminaire Watts: 114.4
LER: 111.63

CP at 0° (Nadir): 3105
Peak Candela: 3433 cd at 8°
CRI: 80+

Beam Angle: 135° x 107°
Spacing Ratio: 1.39 x 1.23
Melanopic Ratio: 0.55

Lumen Multiplier: 5L x 0.54, 11L x 1.18, 15L x 1.62
CCT Multiplier: 30K x 0.98, 40K x 1.0

MILLTOWN - GLO4IND8GL

CANDLEPOWER CURVE TEST SP-01619_3	INTENSITY CANDELA 0° AZIMUTH	ZONAL LUMENS	SINGLE UNIT: PERFORMANCE HORIZONTAL FOOTCANDLES INITIAL DOWNLIGHT ONLY				MULTIPLE UNITS: PERFORMANCE 80/50/20% REFLECTANCES HORIZONTAL FOOTCANDLES AND WATTS/SQ FT													
			Mounting Distance	FC at Beam Center	Diameter at Beam Angle	FC at Beam Edge	RCR 2					RCR 4								
		0°	0° - 10°	278	2%						Room Size	Fixture Grid	FC+	W/ Sq.Ft.	DIR*	Room Size	Fixture Grid	FC+	W/ Sq.Ft.	DIR*
	0°	2886	0° - 10°	1072	9%	6.5'	68 fc	30.6'	2 fc											
	5°	3133	0° - 20°	2301	19%	7.5'	51 fc	35.3'	1 fc	28'x28' 9' tall	12'x8'	73	0.88	84	14'x14' 9' tall	0'x8'	75	1.17	64	
	15°	3060	0° - 30°	3835	32%	8.5'	40 fc	40.0'	1 fc	43'x43' 12' tall	12'x12'	47	0.56	84	21'x21' 12' tall	8'x12'	67	1.04	64	
	25°	2903	0° - 40°	7131	60%	10.0'	29 fc	47.1'	1 fc	63'x63' 16' tall	14'x15'	39	0.46	84	31'x31' 16' tall	12'x15'	31	0.48	64	
	35°	2668	0° - 60°	9557	80%	12.0'	20 fc	56.5'	1 fc	1' Suspension Length to luminous aperture * Average Initial Footcandles at 2.5' Above Floor * Delivered Illuminance Rating in FC per W/Sq.Ft.										
	45°	2371	0° - 80°	10262	86%	14.0'	15 fc	66.0'	0 fc											
	55°	2050	0° - 90°	10262	86%	16.0'	11 fc	75.4'	0 fc											
	90°	884	Total	11907	100%	20.0'	7 fc	94.2'	0 fc											

Delivered Lumens: 11907
Luminaire Watts: 114.4
LER: 104.08

CP at 0° (Nadir): 2886
Peak Candela: 3173 cd at 3°
CRI: 80+

Beam Angle: 134° x 108°
Spacing Ratio: 1.41 x 1.18
Melanopic Ratio: 0.54

Lumen Multiplier: 5L x 0.52, 11L x 1.14, 15L x 1.56
CCT Multiplier: 30K x 0.98, 40K x 1.0

HOW TO USE PERFORMANCE DATA

SINGLE UNIT	MULTIPLE UNITS															
	<p>Grid layout of multiple luminaires in unfurnished, square rooms of different proportions (Room Cavity Ratios) with 80/50/20% room surface reflectances. 1' Suspension Length to aperture. Initial average illumination (FC) calculated at 2.5' above floor, using Zonal Cavity Method. W/Sq. Ft. of layout shown for each ceiling height and RCR.</p> <p>Delivered Illuminance Rating (DIR)*: System performance indicator expressed as ratio of approximate initial FC per W/Sq. Ft. delivered to horizontal plane below, for the range of ceiling heights indicated.</p> <ul style="list-style-type: none"> - To estimate FC for Fixture Spacing that is different than shown (do not exceed Spacing Ratio): FC = (Fixture Grid area) / (Different Grid area) x Chart FC - To estimate Sq. Ft. per fixture for a specific target FC: Sq. Ft. / Fixture = Chart FC x (Fixture Grid area) / Target FC 															
	<p>Sample layout as calculated above:</p> <table border="1"> <thead> <tr> <th colspan="5">RCR 2</th> </tr> <tr> <th>Room Size</th> <th>Fixture Grid</th> <th>FC+</th> <th>W/ Sq.Ft.</th> <th>DIR*</th> </tr> </thead> <tbody> <tr> <td>63'x63' 16' tall</td> <td>14'x15'</td> <td>42</td> <td>0.46</td> <td>90</td> </tr> </tbody> </table> <ul style="list-style-type: none"> - To estimate Fixture Quantity in a room: Fixture Qty. = Sq. Ft. of Rm. / Sq. Ft. per fixture - To estimate Watts/Sq. Ft.: W/ Sq. Ft. = Fixture Qty. x Luminaire Watts / Sq. Ft. of Rm. 	RCR 2					Room Size	Fixture Grid	FC+	W/ Sq.Ft.	DIR*	63'x63' 16' tall	14'x15'	42	0.46	90
RCR 2																
Room Size	Fixture Grid	FC+	W/ Sq.Ft.	DIR*												
63'x63' 16' tall	14'x15'	42	0.46	90												