

SPECLINE PENDANT

2.3" x 3.3" LINEAR

1.8" aperture linear pendant for general illumination. Multi-stage polyester powder-coat process applied on our dedicated paint lines.

LUMENS / WATTAGE DATA			
PART NUMBER	DELIVERED LUMENS ¹	SYSTEM WATTS	LPW
SLO3IND4 05L 35K DW	1273	19	67
SLO3IND4 11L 35K DW	2738	34	81
SLO3IND4 20L 35K DW	4814	60	80
SLO3IND4 25L 35K DW	5875	74	79

¹ Performance varies for each trim, CCT, CRI, Beam Spread, Lens option; See Photometry files for data for selected option.

FEATURES

Slim profile for minimalist appearance. Pendant Mounted with cable. Choice of three interchangeable optical lenses flush mount.

FINISH

Multi-stage polyester powder-coat process applied on our dedicated paint lines. See mounting and color pages for standard finishes.

ELECTRONICS

LED module features high brightness white LEDs. 3-step MacAdam Ellipses binning and CRI 80 & 90 minimum. Variety of electronic 120V/277V and dimming drivers.

CONSTRUCTION

Seamless extruded aluminum housing with die cast sculpted endcaps. Snap-in acrylic lenses provide high transmission with multiple distribution options.

OPTICS

Snap-in extruded acrylic lenses provided multiple distributions including:

DW - Smooth diffuse white extruded acrylic generates lambertian distribution for general illumination.

LW - Lenticular profile extrusion generates wide beam distribution with uniform illumination that reduces central hot spots and allows for wide ceiling spacing.

LA - Lenticular profile extrusion generates directional, asymmetric distribution for applications requiring vertical illumination.

CODE COMPLIANCE

BAA Compliant. Non-IC rated. Manufactured to UL standards No. 1598/8750.

PRODUCT SELECTOR GUIDE

SERIES	LUMENS ¹	CCT	OPTICS	DRIVER / VOLTAGE	OPTIONS	MOUNTING	FINISH

EXAMPLE

SLO3IND4GL	11L	35K	DW	DX	EMIT	CD36	MW
-------------------	-----	-----	----	----	------	------	----

SERIES	LUMENS ¹	CCT	OPTICAL LENSES	DRIVER / VOLTAGE	OPTIONS	MOUNTING ⁵	FINISH ⁷
INDIVIDUAL	05L 550 Lm/Ft	80 CRI	DW General Illumination Diffuse White	DX 1%, 0-10V, 120V/277V	EMIT ^{2/3/4} Integral Emergency Battery	CD36 36" Cord & Cable Mount	MW Matte White
SLO3IND2GL	11L 1100 Lm/Ft	30K 3000K	LW Wide Beam Symmetric		SEN ³ Integral PhotoCell and Occupancy Sensor	CD72 72" Cord & Cable Mount	MB Matte Black
SLO3IND4GL	20L 2000 Lm/Ft	35K 3500K	LA Asymmetric Wall Wash			CD144 144" Cord & Cable Mount	PT Platinum Silver
SLO3IND8GL	25L 2500 Lm/Ft	40K 4000K				CDLCxx ⁶ Custom Length Cord & Cable Mount	CC Custom Color
CONTINUOUS ROW ¹		90 CRI					
SLO3ROWxxGL		30HK 3000K					
		35HK 3500K					
		40HK 4000K					
¹ ROW Length to be Called Out in Feet (increments of 2FT). See page 3 for Additional information						² Not Available in SLO3IND2	
						³ See Page 3 for End Cap Details	
						⁴ EMIT in ROW lengths Require a Lighting Layout to be provided	
						⁵ See Page 3 for Mounting Distance	
						⁶ Specify Length in inches	
						⁷ Reference Color Sheet Located on Product Webpage for Full List of Available Colors	

PROJECT: _____

QUANTITY: _____ TYPE: _____



COPYRIGHT 2022 SPECTRUM LIGHTING, INC.

SPECLINE PENDANT

2.3" x 3.3" LINEAR

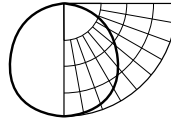


FIXTURE DIMENSIONS

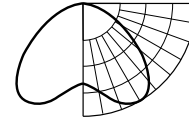


SERIES	A	B	C	D	E
SLO3IND2GL			24.0	24.375	
SLO3IND4GL	1.8	2.3	48.0	48.375	3.3
SLO3IND8GL			96.0	96.375	

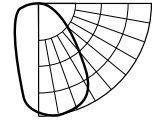
OPTICAL LENSES



DW - Diffuse White

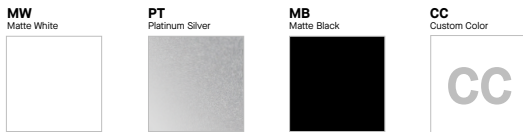


LW - Wide Beam Symmetric



LA - Asymmetric Wall Wash

FINISH



PAINT TIMES

TIER	COST	AVERAGE PAINT TIME*
Tier 1 - Standard Finishes	\$	
Custom Color	Contact Factory	Contact Factory

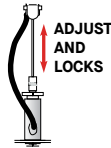
*CONTACT FACTORY FOR SPECIFIC PRODUCT LEAD TIMES

STANDARD CORD / CANOPY FINISHES

FIXTURE COLOR	STANDARD CORD COLOR	STANDARD CANOPY
Matte White	Matte White	Matte White
Matte Black	Matte Black	Matte Black
All Others	Matte Black	Same Color as Fixture
Custom Color	Contact Factory	Contact Factory

MOUNTING

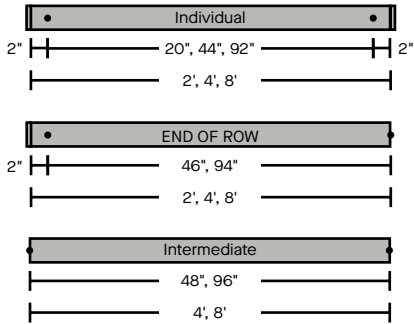
CD
CORD / CABLE MOUNT
SJ CORD WITH 1/16 SS CABLE



ORDER: **CD** (Length)
SPECIFY LENGTH:
CD36 - 36"
CD72 - 72"
CD144 - 144"
CDLC(XX)
Custom Length
(Specify in Inches)

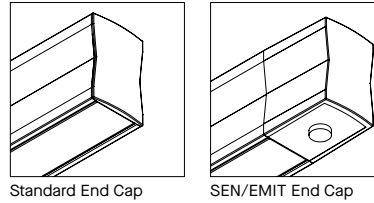
MODULE INFORMATION

Available as individual or continuous row mount. Row configurations comprised of End of Row and Intermediate modules. Note: Cable locations shown below marked by ●. Feed locations are at beginning of row unless specified, and additional feed cord at every 32ft (4 8ft sections)



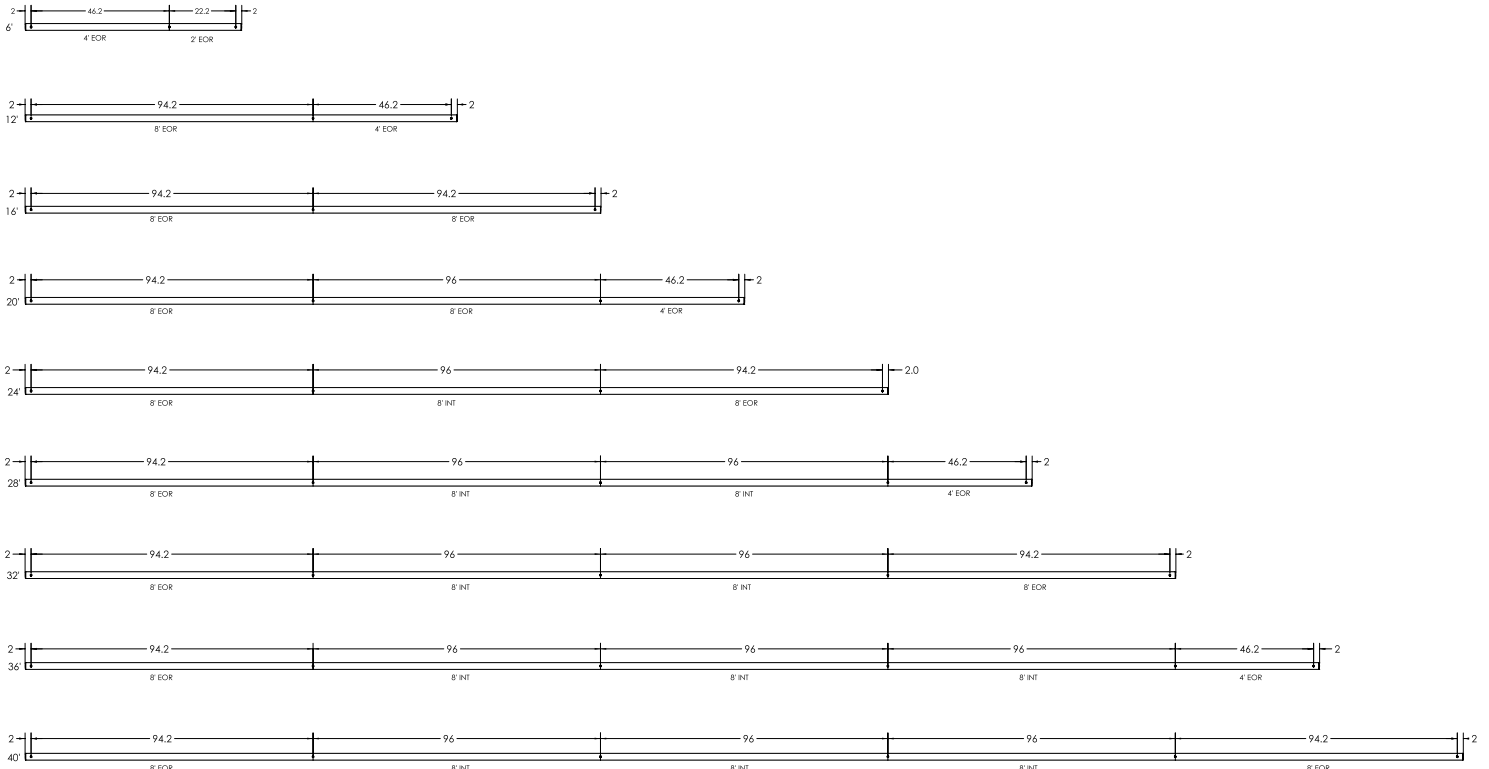
END CAPS

(2) Die Cast aluminum end cap options are available. End cap thickness are not included in individual or row lengths. Standard end cap is .1875" thick, sensor option (SEN) end cap is 2.86" long.



ROW CONFIGURATIONS

Continuous runs of SpecLine Linear that are greater than 8 ft. in length are considered rows (exception to this is ROW6). Rows are combinations of 2', 4' and/or 8' modules to be assembled on site. The rows below are considered standard offering. Contact factory for lengths not specified below. For EMIT options in ROW lengths, a lighting layout is Required for proper placement of EM. One EM pack lights a 4ft section of ROW.



SLO3IND2 25L 35K DW xx xx MW

CANDLEPOWER CURVE TEST SP-01428_3	INTENSITY CANDELA 0° AZIMUTH	ZONAL LUMENS	SINGLE UNIT: PERFORMANCE HORIZONTAL FOOTCANDLES INITIAL DOWNLIGHT ONLY				MULTIPLE UNITS: PERFORMANCE 80/50/20% REFLECTANCES HORIZONTAL FOOTCANDLES AND WATTS/SQ FT									
			Mounting Distance	FC at Beam Center	Diameter at Beam Angle	FC at Beam Edge	RCR 3					RCR 5				
<p>Delivered Lumens: 2938 Luminaire Watts: 37 LER: 79.41</p>	0°	0° - 10° 99 3%	6.5'	24 fc	19.3'	2 fc	Room Size	Fixture Grid	FC*	W/ Sq.Ft.	DIR*	Room Size	Fixture Grid	FC*	W/ Sq.Ft.	DIR*
	0° 1031	0° - 20° 379 13%	7.5'	18 fc	22.3'	2 fc	18'x18' 9' tall	6'x6'	63	1.03	62	11'x11' 9' tall	6'x6'	60	1.22	49
	5° 1026	0° - 30° 802 27%	8.5'	14 fc	25.2'	1 fc	28'x28' 12' tall	8'x10'	35	0.57	62	17'x17' 12' tall	6'x8'	38	0.77	49
	15° 988	0° - 40° 1313 45%	10.0'	10 fc	29.7'	1 fc	42'x42' 16' tall	12'x12'	21	0.34	62	25'x25' 16' tall	10'x10'	26	0.53	49
	25° 918	0° - 60° 2318 79%	12.0'	7 fc	35.6'	1 fc	1' Suspension Length to luminous aperture * Average Initial Footcandles at 2.5' Above Floor * Delivered Illuminance Rating in FC per W/Sq.Ft.									
	35° 813	0° - 80° 2878 98%	14.0'	5 fc	41.6'	0 fc	Lumen Multiplier: 05L x 0.22, 11L x 0.47, 20L x 0.82									
	45° 683	0° - 90° 2925 100%	16.0'	4 fc	47.5'	0 fc	CCT Multiplier: 30K x 0.97, 40K x 1.02									
	55° 534	Total 2938 100%	20.0'	3 fc	59.4'	0 fc	Beam Angle: 112° x 112° Spacing Ratio: 1.25 x 1.25									
	90° 4	CP at 0° (Nadir): 1031					MOUNTING MULTIPLIER: 05L x 0.22, 11L x 0.47, 20L x 0.82 CCT MULTIPLIER: 30K x 0.97, 40K x 1.02									
							CR: 80									

SLO3IND2 25L 35HK DW xx xx MW

CANDLEPOWER CURVE TEST SP-01320_4	INTENSITY CANDELA 0° AZIMUTH	ZONAL LUMENS	SINGLE UNIT: PERFORMANCE HORIZONTAL FOOTCANDLES INITIAL DOWNLIGHT ONLY				MULTIPLE UNITS: PERFORMANCE 80/50/20% REFLECTANCES HORIZONTAL FOOTCANDLES AND WATTS/SQ FT									
			Mounting Distance	FC at Beam Center	Diameter at Beam Angle	FC at Beam Edge	RCR 3					RCR 5				
<p>Delivered Lumens: 2595 Luminaire Watts: 38 LER: 68.29</p>	0°	0° - 10° 88 3%	6.5'	22 fc	19.3'	2 fc	Room Size	Fixture Grid	FC*	W/ Sq.Ft.	DIR*	Room Size	Fixture Grid	FC*	W/ Sq.Ft.	DIR*
	0° 913	0° - 20° 336 13%	7.5'	16 fc	22.3'	1 fc	18'x18' 9' tall	6'x6'	56	1.06	53	11'x11' 9' tall	6'x6'	53	1.26	42
	5° 908	0° - 30° 711 27%	8.5'	13 fc	25.2'	1 fc	28'x28' 12' tall	8'x10'	31	0.58	53	17'x17' 12' tall	6'x8'	33	0.79	42
	15° 882	0° - 40° 1163 45%	10.0'	9 fc	29.7'	1 fc	42'x42' 16' tall	12'x12'	18	0.34	53	25'x25' 16' tall	10'x10'	23	0.55	42
	25° 812	0° - 60° 2054 79%	12.0'	6 fc	35.6'	1 fc	1' Suspension Length to luminous aperture * Average Initial Footcandles at 2.5' Above Floor * Delivered Illuminance Rating in FC per W/Sq.Ft.									
	35° 722	0° - 80° 2546 98%	14.0'	5 fc	41.6'	0 fc	Lumen Multiplier: 05L x 0.21, 11L x 0.46, 20L x 0.81									
	45° 607	0° - 90° 2586 100%	16.0'	4 fc	47.5'	0 fc	CCT Multiplier: 27HK x 0.95, 30HK x 0.98, 40HK x 1.01									
	55° 472	Total 2595 100%	20.0'	2 fc	59.4'	0 fc	Beam Angle: 112° x 111° Spacing Ratio: 1.25 x 1.30									
	90° 3	CP at 0° (Nadir): 913					MOUNTING MULTIPLIER: 05L x 0.21, 11L x 0.46, 20L x 0.81 CCT MULTIPLIER: 27HK x 0.95, 30HK x 0.98, 40HK x 1.01									
							CR: 90									

HOW TO USE PERFORMANCE DATA

SINGLE UNIT	MULTIPLE UNITS															
<p>Beam Angle</p>	<p>Grid layout of multiple luminaires in unfurnished, square rooms of different proportions (Room Cavity Ratios) with 80/50/20% room surface reflectances. 1' Suspension Length to aperture. Initial average illumination (FC) calculated at 2.5' above floor, using Zonal Cavity Method. W/Sq. Ft. of layout shown for each ceiling height and RCR.</p> <p>Delivered Illuminance Rating (DIR)*: System performance indicator expressed as ratio of approximate initial FC per W/Sq. Ft. delivered to horizontal plane below, for the range of ceiling heights indicated.</p> <ul style="list-style-type: none"> To estimate FC for Fixture Spacing that is different than shown (do not exceed Spacing Ratio): FC = (Fixture Grid area) / (Different Grid area) x Chart FC To estimate Sq. Ft. per fixture for a specific target FC: Sq. Ft. / Fixture = Chart FC x (Fixture Grid area) / Target FC 															
	<p>Sample layout as calculated above:</p> <table border="1"> <thead> <tr> <th colspan="5">RCR 3</th> </tr> <tr> <th>Room Size</th> <th>Fixture Grid</th> <th>FC*</th> <th>W/ Sq.Ft.</th> <th>DIR*</th> </tr> </thead> <tbody> <tr> <td>18'x18' 9' tall</td> <td>6'x6'</td> <td>63</td> <td>1.03</td> <td>62</td> </tr> </tbody> </table> <ul style="list-style-type: none"> To estimate Fixture Quantity in a room: Fixture Qty. = Sq. Ft. of Rm. / Sq. Ft. per fixture To estimate Watts/Sq. Ft.: W/ Sq. Ft. = Fixture Qty. x Luminaire Watts / Sq. Ft. of Rm. 	RCR 3					Room Size	Fixture Grid	FC*	W/ Sq.Ft.	DIR*	18'x18' 9' tall	6'x6'	63	1.03	62
RCR 3																
Room Size	Fixture Grid	FC*	W/ Sq.Ft.	DIR*												
18'x18' 9' tall	6'x6'	63	1.03	62												

SLO3IND4 25L 35K DW xx xx MW

CANDLEPOWER CURVE TEST SP-01431_3	INTENSITY CANDELA 0° AZIMUTH	ZONAL LUMENS	SINGLE UNIT: PERFORMANCE HORIZONTAL FOOTCANDLES INITIAL DOWNLIGHT ONLY				MULTIPLE UNITS: PERFORMANCE 80/50/20% REFLECTANCES HORIZONTAL FOOTCANDLES AND WATTS/SQ FT												
			Mounting Distance	FC at Beam Center	Diameter at Beam Angle	FC at Beam Edge	RCR 2					RCR 4							
		0°	0° - 10°	198	3%	6.5'	49 fc	19.3'	4 fc	Room Size	Fixture Grid	FC*	W/ Sq.Ft.	DIR*	Room Size	Fixture Grid	FC*	W/ Sq.Ft.	DIR*
<p>Delivered Lumens: 5875 Luminaire Watts: 74 LER: 79.39</p>	0°	2062	0° - 20°	757	13%	7.5'	37 fc	22.3'	3 fc	28'x28' 9' tall	8'x7' ^A	59	0.85	70	14'x14' 9' tall	6'x7'	82	1.51	55
	5°	2053	0° - 30°	1605	27%	8.5'	29 fc	25.2'	2 fc	43'x43' 12' tall	10'x10'	45	0.64	70	21'x21' 12' tall	10'x10'	37	0.67	55
	15°	1976	0° - 40°	2626	45%	10.0'	21 fc	29.7'	2 fc	63'x63' 16' tall	12'x12'	33	0.47	70	31'x31' 16' tall	10'x12'	38	0.69	55
	25°	1836	0° - 60°	4636	79%	12.0'	14 fc	35.6'	1 fc	1' Suspension Length to luminous aperture * Average Initial Footcandles at 2.5' Above Floor * Delivered Illuminance Rating in FC per W/Sq.Ft. ^A Exceeds Spacing Ratio by 2%									
	35°	1626	0° - 80°	5757	98%	14.0'	11 fc	41.6'	1 fc										
	45°	1365	0° - 90°	5851	100%	16.0'	8 fc	47.5'	1 fc										
	55°	1067	Total	5875	100%	20.0'	5 fc	59.4'	0 fc										
	90°	8																	
	CP at 0° (Nadir):		2062	Beam Angle: 112° x 112° Spacing Ratio: 1.25 x 1.25				Lumen Multiplier: 05L x 0.22, 11L x 0.47, 20L x 0.82 CCT Multiplier: 30K x 0.97, 40K x 1.02											

SLO3IND4 25L 35HK DW xx xx MW

CANDLEPOWER CURVE TEST SP-01369_3	INTENSITY CANDELA 0° AZIMUTH	ZONAL LUMENS	SINGLE UNIT: PERFORMANCE HORIZONTAL FOOTCANDLES INITIAL DOWNLIGHT ONLY				MULTIPLE UNITS: PERFORMANCE 80/50/20% REFLECTANCES HORIZONTAL FOOTCANDLES AND WATTS/SQ FT												
			Mounting Distance	FC at Beam Center	Diameter at Beam Angle	FC at Beam Edge	RCR 2					RCR 4							
		0°	0° - 10°	176	3%	6.5'	43 fc	19.3'	4 fc	Room Size	Fixture Grid	FC*	W/ Sq.Ft.	DIR*	Room Size	Fixture Grid	FC*	W/ Sq.Ft.	DIR*
<p>Delivered Lumens: 5190 Luminaire Watts: 76 LER: 68.29</p>	0°	1827	0° - 20°	671	13%	7.5'	32 fc	22.3'	3 fc	28'x28' 9' tall	8'x7'	53	0.87	60	14'x14' 9' tall	6'x7'	73	1.55	47
	5°	1815	0° - 30°	1422	27%	8.5'	25 fc	25.2'	2 fc	43'x43' 12' tall	10'x10'	40	0.66	60	21'x21' 12' tall	10'x10'	32	0.69	47
	15°	1765	0° - 40°	2327	45%	10.0'	18 fc	29.7'	2 fc	63'x63' 16' tall	12'x12'	29	0.48	60	31'x31' 16' tall	10'x12'	33	0.71	47
	25°	1624	0° - 60°	4107	79%	12.0'	13 fc	35.6'	1 fc	1' Suspension Length to luminous aperture * Average Initial Footcandles at 2.5' Above Floor * Delivered Illuminance Rating in FC per W/Sq.Ft.									
	35°	1444	0° - 80°	5093	98%	14.0'	9 fc	41.6'	1 fc										
	45°	1214	0° - 90°	5172	100%	16.0'	7 fc	47.5'	1 fc										
	55°	943	Total	5190	100%	20.0'	5 fc	59.4'	0 fc										
	90°	7																	
	CP at 0° (Nadir):		1827	Beam Angle: 112° x 111° Spacing Ratio: 1.25 x 1.30				Lumen Multiplier: 05L x 0.21, 11L x 0.46, 20L x 0.81 CCT Multiplier: 27HK x 0.95, 30HK x 0.98, 40HK x 1.01											

HOW TO USE PERFORMANCE DATA

SINGLE UNIT	MULTIPLE UNITS															
<p>Beam Angle</p>	<p>Grid layout of multiple luminaires in unfurnished, square rooms of different proportions (Room Cavity Ratios) with 80/50/20% room surface reflectances. 1' Suspension Length to aperture. Initial average illumination (FC) calculated at 2.5' above floor, using Zonal Cavity Method. W/Sq. Ft. of layout shown for each ceiling height and RCR.</p> <p>Delivered Illuminance Rating (DIR)*: System performance indicator expressed as ratio of approximate initial FC per W/Sq. Ft. delivered to horizontal plane below, for the range of ceiling heights indicated.</p> <ul style="list-style-type: none"> To estimate FC for Fixture Spacing that is different than shown (do not exceed Spacing Ratio): FC = (Fixture Grid area) / (Different Grid area) x Chart FC To estimate Sq. Ft. per fixture for a specific target FC: Sq. Ft. / Fixture = Chart FC x (Fixture Grid area) / Target FC 															
	<p>Sample layout as calculated above:</p> <table border="1"> <thead> <tr> <th colspan="5">RCR 2</th> </tr> <tr> <th>Room Size</th> <th>Fixture Grid</th> <th>FC*</th> <th>W/ Sq.Ft.</th> <th>DIR*</th> </tr> </thead> <tbody> <tr> <td>43'x43' 12' tall</td> <td>10'x10'</td> <td>45</td> <td>0.64</td> <td>70</td> </tr> </tbody> </table> <ul style="list-style-type: none"> To estimate Fixture Quantity in a room: Fixture Qty. = Sq. Ft. of Rm. / Sq. Ft. per fixture To estimate Watts/Sq. Ft.: W/ Sq. Ft. = Fixture Qty. x Luminaire Watts / Sq. Ft. of Rm. 	RCR 2					Room Size	Fixture Grid	FC*	W/ Sq.Ft.	DIR*	43'x43' 12' tall	10'x10'	45	0.64	70
RCR 2																
Room Size	Fixture Grid	FC*	W/ Sq.Ft.	DIR*												
43'x43' 12' tall	10'x10'	45	0.64	70												

SLO3IND8 25L 35K DW xx xx MW

CANDLEPOWER CURVE TEST SP-01434_3	INTENSITY CANDELA 0° AZIMUTH	ZONAL LUMENS	SINGLE UNIT: PERFORMANCE HORIZONTAL FOOTCANDLES INITIAL DOWNLIGHT ONLY				MULTIPLE UNITS: PERFORMANCE 80/50/20% REFLECTANCES HORIZONTAL FOOTCANDLES AND WATTS/SQ FT												
			Mounting Distance	FC at Beam Center	Diameter at Beam Angle	FC at Beam Edge	RCR 2				RCR 4								
		0° - 10°	396	3%	Room Size	Fixture Grid	FC*	W/ Sq.Ft.	DIR*	Room Size	Fixture Grid	FC*	W/ Sq.Ft.	DIR*					
<p>Delivered Lumens: 11751 Luminaire Watts: 148 LER: 79.40</p>	0°	4125	0° - 20°	1514	13%	6.5'	98 fc	19.3'	9 fc	28'x28' 9' tall	12'x7' ^A	79	1.13	70	14'x14' 9' tall	0'x7'	82	1.51	55
	5°	4105	0° - 30°	3209	27%	7.5'	73 fc	22.3'	6 fc	43'x43' 12' tall	12'x11' ^B	50	0.72	70	21'x21' 12' tall	8'x11'	73	1.34	55
	15°	3953	0° - 40°	5252	45%	8.5'	57 fc	25.2'	5 fc	63'x63' 16' tall	14'x15'	42	0.60	70	31'x31' 16' tall	12'x15'	34	0.62	55
	25°	3672	0° - 60°	9271	79%	10.0'	41 fc	29.7'	4 fc	1' Suspension Length to luminous aperture * Average Initial Footcandles at 2.5' Above Floor * Delivered Illuminance Rating in FC per W/Sq.Ft. ^A Exceeds Spacing Ratio by 2% ^B Exceeds Spacing Ratio by 4%									
	35°	3252	0° - 80°	11513	98%	12.0'	29 fc	35.6'	2 fc										
	45°	2730	0° - 90°	11701	100%	14.0'	21 fc	41.6'	2 fc										
	55°	2134	Total	11751	100%	16.0'	16 fc	47.5'	1 fc										
	90°	16	Total	11751	100%	20.0'	10 fc	59.4'	1 fc										
	CP at 0° (Nadir):		4125	Beam Angle: 112° x 112° Spacing Ratio: 1.25 x 1.25				Lumen Multiplier: 05L x 0.22, 11L x 0.47, 20L x 0.82 CCT Multiplier: 30K x 0.97, 40K x 1.02											

SLO3IND8 25L 35HK DW xx xx MW

CANDLEPOWER CURVE TEST SP-01372_3	INTENSITY CANDELA 0° AZIMUTH	ZONAL LUMENS	SINGLE UNIT: PERFORMANCE HORIZONTAL FOOTCANDLES INITIAL DOWNLIGHT ONLY				MULTIPLE UNITS: PERFORMANCE 80/50/20% REFLECTANCES HORIZONTAL FOOTCANDLES AND WATTS/SQ FT												
			Mounting Distance	FC at Beam Center	Diameter at Beam Angle	FC at Beam Edge	RCR 2				RCR 4								
		0°	0° - 10°	351	3%	Room Size	Fixture Grid	FC*	W/ Sq.Ft.	DIR*	Room Size	Fixture Grid	FC*	W/ Sq.Ft.	DIR*				
<p>Delivered Lumens: 10380 Luminaire Watts: 152 LER: 68.29</p>	0°	3653	0° - 20°	1343	13%	6.5'	86 fc	19.3'	8 fc	28'x28' 9' tall	12'x7'	70	1.16	60	14'x14' 9' tall	0'x7'	73	1.55	47
	5°	3631	0° - 30°	2844	27%	7.5'	65 fc	22.3'	6 fc	43'x43' 12' tall	12'x11'	45	0.74	60	21'x21' 12' tall	8'x11'	65	1.38	47
	15°	3530	0° - 40°	4654	45%	8.5'	51 fc	25.2'	4 fc	63'x63' 16' tall	14'x15'	37	0.61	60	31'x31' 16' tall	12'x15'	30	0.63	47
	25°	3248	0° - 60°	8214	79%	10.0'	37 fc	29.7'	3 fc	1' Suspension Length to luminous aperture * Average Initial Footcandles at 2.5' Above Floor * Delivered Illuminance Rating in FC per W/Sq.Ft.									
	35°	2889	0° - 80°	10186	98%	12.0'	25 fc	35.6'	2 fc										
	45°	2428	0° - 90°	10344	100%	14.0'	19 fc	41.6'	2 fc										
	55°	1887	Total	10380	100%	16.0'	14 fc	47.5'	1 fc										
	90°	13	Total	10380	100%	20.0'	9 fc	59.4'	1 fc										
	CP at 0° (Nadir):		3653	Beam Angle: 112° x 111° Spacing Ratio: 1.25 x 1.30				Lumen Multiplier: 05L x 0.21, 11L x 0.46, 20L x 0.81 CCT Multiplier: 27HK x 0.95, 30HK x 0.98, 40HK x 1.01											

HOW TO USE PERFORMANCE DATA

SINGLE UNIT	MULTIPLE UNITS															
<p>Beam Angle</p>	<p>Grid layout of multiple luminaires in unfurnished, square rooms of different proportions (Room Cavity Ratios) with 80/50/20% room surface reflectances. 1' Suspension Length to aperture. Initial average illumination (FC) calculated at 2.5' above floor, using Zonal Cavity Method. W/Sq. Ft. of layout shown for each ceiling height and RCR.</p> <p>Delivered Illuminance Rating (DIR)*: System performance indicator expressed as ratio of approximate initial FC per W/Sq. Ft. delivered to horizontal plane below, for the range of ceiling heights indicated.</p> <ul style="list-style-type: none"> To estimate FC for Fixture Spacing that is different than shown (do not exceed Spacing Ratio): FC = (Fixture Grid area) / (Different Grid area) x Chart FC To estimate Sq. Ft. per fixture for a specific target FC: Sq. Ft. / Fixture = Chart FC x (Fixture Grid area) / Target FC 															
	<p>Sample layout as calculated above:</p> <table border="1"> <thead> <tr> <th colspan="5">RCR 2</th> </tr> <tr> <th>Room Size</th> <th>Fixture Grid</th> <th>FC*</th> <th>W/ Sq.Ft.</th> <th>DIR*</th> </tr> </thead> <tbody> <tr> <td>63'x63' 16' tall</td> <td>14'x15'</td> <td>42</td> <td>0.60</td> <td>70</td> </tr> </tbody> </table> <ul style="list-style-type: none"> To estimate Fixture Quantity in a room: Fixture Qty. = Sq. Ft. of Rm. / Sq. Ft. per fixture To estimate Watts/Sq. Ft.: W/ Sq. Ft. = Fixture Qty. x Luminaire Watts / Sq. Ft. of Rm. 	RCR 2					Room Size	Fixture Grid	FC*	W/ Sq.Ft.	DIR*	63'x63' 16' tall	14'x15'	42	0.60	70
RCR 2																
Room Size	Fixture Grid	FC*	W/ Sq.Ft.	DIR*												
63'x63' 16' tall	14'x15'	42	0.60	70												



SLO3IND2 25L 35K LW xx xx MW

CANDLEPOWER CURVE TEST SP-01430_3	INTENSITY CANDELA 0° AZIMUTH	ZONAL LUMENS	SINGLE UNIT: PERFORMANCE HORIZONTAL FOOTCANDLES INITIAL DOWNLIGHT ONLY				MULTIPLE UNITS: PERFORMANCE 80/50/20% REFLECTANCES HORIZONTAL FOOTCANDLES AND WATTS/SQ FT												
			0° - 10°	85	3%	Mounting Distance	FC at Beam Center	Width at Beam Angle	FC at Beam Edge	RCR 3					RCR 5				
	0° 90° 180° 270°	0° - 10°	85	3%					Room Size	Fixture Grid	FC*	W/ Sq.Ft.	DIR*	Room Size	Fixture Grid	FC*	W/ Sq.Ft.	DIR*	
	0°	865	865	865	865	6.5'	20 fc	22.0'	1 fc	18'x18' 9' tall	6'x10'	49	0.69	71	11'x11' 9' tall	6'x8'	68	1.22	56
	5°	889	854	889	854	7.5'	15 fc	25.4'	1 fc	28'x28' 12' tall	8'x12'	40	0.57	71	17'x17' 12' tall	6'x10'	43	0.77	56
	15°	1057	819	1057	819	8.5'	12 fc	28.8'	1 fc	42'x42' 16' tall	12'x16'	18	0.25	71	25'x25' 16' tall	10'x12'	30	0.53	56
	25°	1254	752	1254	752	10.0'	9 fc	33.8'	1 fc	1' Suspension Length to luminous aperture									
	35°	1259	661	1259	661	12.0'	6 fc	40.6'	0 fc	* Average Initial Footcandles at 2.5' Above Floor									
	45°	1106	553	1106	553	14.0'	4 fc	47.4'	0 fc	* Delivered Illuminance Rating in FC per W/Sq.Ft.									
	55°	795	428	795	428	16.0'	3 fc	54.1'	0 fc										
	90°	4	3	4	3	20.0'	2 fc	67.7'	0 fc										
			Total	3399	100%														

Delivered Lumens: **3399**
Luminaire Watts: **37**
LER: **91.86**

CP at 0° (Nadir): **865**
CR: **80**

Beam Angle: **119° x 74°**
Spacing Ratio: **1.90 x 1.21**

Lumen Multiplier: **05L x 0.22, 11L x 0.47, 20L x 0.82**
CCT Multiplier: **30K x 0.97, 40K x 1.02**

SLO3IND2 25L 35HK LW xx xx MW

CANDLEPOWER CURVE TEST SP-01322_4	INTENSITY CANDELA 0° AZIMUTH	ZONAL LUMENS	SINGLE UNIT: PERFORMANCE HORIZONTAL FOOTCANDLES INITIAL DOWNLIGHT ONLY				MULTIPLE UNITS: PERFORMANCE 80/50/20% REFLECTANCES HORIZONTAL FOOTCANDLES AND WATTS/SQ FT												
			0° - 10°	78	3%	Mounting Distance	FC at Beam Center	Diameter at Beam Angle	FC at Beam Edge	RCR 3					RCR 5				
	0° 90° 180° 270°	0° - 10°	78	3%					Room Size	Fixture Grid	FC*	W/ Sq.Ft.	DIR*	Room Size	Fixture Grid	FC*	W/ Sq.Ft.	DIR*	
	0°	790	790	790	790	6.5'	19 fc	21.6'	1 fc	18'x18' 9' tall	6'x10'	43	0.70	62	11'x11' 9' tall	6'x8'	61	1.26	48
	5°	791	786	832	782	7.5'	14 fc	25.0'	1 fc	28'x28' 12' tall	8'x12'	36	0.58	62	17'x17' 12' tall	6'x10'	38	0.79	48
	15°	892	749	1000	753	8.5'	11 fc	28.3'	1 fc	42'x42' 16' tall	12'x16'	16	0.26	62	25'x25' 16' tall	10'x12'	26	0.55	48
	25°	1070	687	1148	690	10.0'	8 fc	33.3'	0 fc	1' Suspension Length to luminous aperture									
	35°	1138	605	1116	605	12.0'	5 fc	39.9'	0 fc	* Average Initial Footcandles at 2.5' Above Floor									
	45°	1027	505	922	506	14.0'	4 fc	46.6'	0 fc	* Delivered Illuminance Rating in FC per W/Sq.Ft.									
	55°	762	391	627	390	16.0'	3 fc	53.2'	0 fc										
	90°	3	3	2	2	20.0'	2 fc	66.5'	0 fc										
			Total	3029	100%														

Delivered Lumens: **3029**
Luminaire Watts: **38**
LER: **79.71**

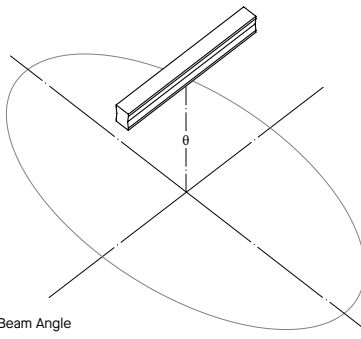
CP at 0° (Nadir): **790**
CR: **90**

Beam Angle: **118° x 76°**
Spacing Ratio: **1.91 x 1.21**
Melanopic Ratio: **0.62**

Lumen Multiplier: **05L x 0.22, 11L x 0.46, 20L x 0.81**
CCT Multiplier: **27HK x 0.95, 30HK x 0.98, 40HK x 1.01**

HOW TO USE PERFORMANCE DATA

SINGLE UNIT | MULTIPLE UNITS



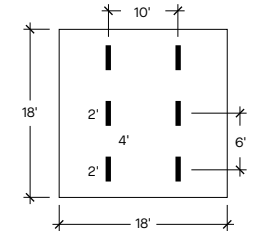
Grid layout of multiple luminaires in unfurnished, square rooms of different proportions (Room Cavity Ratios) with 80/50/20% room surface reflectances. 1' Suspension Length to aperture. Initial average illumination (FC) calculated at 2.5' above floor, using Zonal Cavity Method. W/Sq. Ft. of layout shown for each ceiling height and RCR.

Delivered Illuminance Rating (DIR*): System performance indicator expressed as ratio of approximate initial FC per W/Sq. Ft. delivered to horizontal plane below, for the range of ceiling heights indicated.

- To estimate FC for Fixture Spacing that is different than shown (do not exceed Spacing Ratio):
FC = (Fixture Grid area) / (Different Grid area) x Chart FC
- To estimate Sq. Ft. per fixture for a specific target FC:
Sq. Ft. / Fixture = Chart FC x (Fixture Grid area) / Target FC

Sample layout as calculated above:

RCR 3				
Room Size	Fixture Grid	FC*	W/ Sq.Ft.	DIR*
18'x18' 9' tall	6'x10'	49	0.69	71



- To estimate Fixture Quantity in a room:
Fixture Qty. = Sq. Ft. of Rm. / Sq. Ft. per fixture

- To estimate Watts/Sq. Ft.:
W/ Sq. Ft. = Fixture Qty. x Luminaire Watts / Sq. Ft. of Rm.

SLO3IND4 25L 35K LW xx xx MW

CANDLEPOWER CURVE TEST SP-01433_3	INTENSITY CANDELA 0° AZIMUTH	ZONAL LUMENS	SINGLE UNIT: PERFORMANCE HORIZONTAL FOOTCANDLES INITIAL DOWNLIGHT ONLY				MULTIPLE UNITS: PERFORMANCE 80/50/20% REFLECTANCES HORIZONTAL FOOTCANDLES AND WATTS/SQ FT												
			0° - 10°	171	3%	Mounting Distance	FC at Beam Center	Width at Beam Angle	FC at Beam Edge	RCR 2				RCR 4					
	0° 90° 180° 270°	0° - 10°	171	3%	Mounting Distance	FC at Beam Center	Width at Beam Angle	FC at Beam Edge	Room Size	Fixture Grid	FC*	W/ Sq.Ft.	DIR*	Room Size	Fixture Grid	FC*	W/ Sq.Ft.	DIR*	
	0°	1730	1730	1730	1730	6.5'	41 fc	22.0'	3 fc	28'x28' 9' tall	8'x10'	46	0.57	81	14'x14' 9' tall	6'x8'	94	1.51	62
	5°	1778	1708	1778	1708	7.5'	31 fc	25.4'	2 fc	43'x43' 12' tall	10'x14'	39	0.48	81	21'x21' 12' tall	10'x12'	42	0.67	62
	15°	2114	1637	2114	1637	8.5'	24 fc	28.8'	2 fc	63'x63' 16' tall	12'x16'	30	0.37	81	31'x31' 16' tall	10'x16'	29	0.46	62
	25°	2507	1504	2507	1504	10.0'	17 fc	33.8'	1 fc	1' Suspension Length to luminous aperture * Average Initial Footcandles at 2.5' Above Floor * Delivered Illuminance Rating in FC per W/Sq.Ft.									
	35°	2519	1323	2519	1323	12.0'	12 fc	40.6'	1 fc										
	45°	2212	1105	2212	1105	14.0'	9 fc	47.4'	1 fc										
	55°	1590	855	1590	855	16.0'	7 fc	54.1'	0 fc										
	90°	7	6	7	6	20.0'	4 fc	67.7'	0 fc										
			Total	6798	100%														

Delivered Lumens: **6798**
Luminaire Watts: **74**
LER: **91.86**

CRI: **80**

Beam Angle: **119° x 74°**
Spacing Ratio: **1.90 x 1.21**

Lumen Multiplier: **05L x 0.22, 11L x 0.47, 20L x 0.82**
CCT Multiplier: **30K x 0.97, 40K x 1.02**

SLO3IND4 25L 35HK LW xx xx MW

CANDLEPOWER CURVE TEST SP-01371_3	INTENSITY CANDELA 0° AZIMUTH	ZONAL LUMENS	SINGLE UNIT: PERFORMANCE HORIZONTAL FOOTCANDLES INITIAL DOWNLIGHT ONLY				MULTIPLE UNITS: PERFORMANCE 80/50/20% REFLECTANCES HORIZONTAL FOOTCANDLES AND WATTS/SQ FT												
			0° - 10°	156	3%	Mounting Distance	FC at Beam Center	Width at Beam Angle	FC at Beam Edge	RCR 2				RCR 4					
	0° 90° 180° 270°	0° - 10°	156	3%	Mounting Distance	FC at Beam Center	Width at Beam Angle	FC at Beam Edge	Room Size	Fixture Grid	FC*	W/ Sq.Ft.	DIR*	Room Size	Fixture Grid	FC*	W/ Sq.Ft.	DIR*	
	0°	1580	1580	1580	1580	6.5'	37 fc	21.6'	2 fc	28'x28' 9' tall	8'x10'	41	0.58	70	14'x14' 9' tall	6'x8'	84	1.55	54
	5°	1582	1571	1664	1565	7.5'	28 fc	25.0'	2 fc	43'x43' 12' tall	10'x14'	35	0.49	70	21'x21' 12' tall	10'x12'	37	0.69	54
	15°	1784	1498	1999	1506	8.5'	22 fc	28.3'	1 fc	63'x63' 16' tall	12'x16'	27	0.38	70	31'x31' 16' tall	10'x16'	26	0.47	54
	25°	2141	1373	2296	1379	10.0'	16 fc	33.3'	1 fc	1' Suspension Length to luminous aperture * Average Initial Footcandles at 2.5' Above Floor * Delivered Illuminance Rating in FC per W/Sq.Ft.									
	35°	2276	1209	2231	1210	12.0'	11 fc	39.9'	1 fc										
	45°	2055	1010	1844	1011	14.0'	8 fc	46.6'	0 fc										
	55°	1523	781	1255	781	16.0'	6 fc	53.2'	0 fc										
	90°	6	6	5	5	20.0'	4 fc	66.5'	0 fc										
			Total	6058	100%														

Delivered Lumens: **6058**
Luminaire Watts: **76**
LER: **79.71**

CP at 0° (Nadir): **1580**
CRI: **90**

Beam Angle: **118° x 76°**
Spacing Ratio: **1.91 x 1.21**

Lumen Multiplier: **05L x 0.22, 11L x 0.46, 20L x 0.81**
CCT Multiplier: **27HK x 0.95, 30HK x 0.98, 40HK x 1.01**

HOW TO USE PERFORMANCE DATA

SINGLE UNIT	MULTIPLE UNITS															
<p>Beam Angle</p>	<p>Grid layout of multiple luminaires in unfurnished, square rooms of different proportions (Room Cavity Ratios) with 80/50/20% room surface reflectances. 1' Suspension length to aperture. Initial average illumination (FC) calculated at 2.5' above floor, using Zonal Cavity Method. W/Sq. Ft. of layout shown for each ceiling height and RCR.</p> <p>Delivered Illuminance Rating (DIR*): System performance indicator expressed as ratio of approximate initial FC per W/Sq. Ft. delivered to horizontal plane below, for the range of ceiling heights indicated.</p> <p>- To estimate FC for Fixture Spacing that is different than shown (do not exceed Spacing Ratio): FC = (Fixture Grid area) / (Different Grid area) x Chart FC</p> <p>- To estimate Sq. Ft. per fixture for a specific target FC: Sq. Ft. / Fixture = Chart FC x (Fixture Grid area) / Target FC</p>															
	<p>Sample layout as calculated above:</p> <table border="1"> <thead> <tr> <th colspan="5">RCR 2</th> </tr> <tr> <th>Room Size</th> <th>Fixture Grid</th> <th>FC*</th> <th>W/ Sq.Ft.</th> <th>DIR*</th> </tr> </thead> <tbody> <tr> <td>43'x43' 12' tall</td> <td>10'x14'</td> <td>39</td> <td>0.48</td> <td>81</td> </tr> </tbody> </table> <p>- To estimate Fixture Quantity in a room: Fixture Qty. = Sq. Ft. of Rm. / Sq. Ft. per fixture</p> <p>- To estimate Watts/Sq. Ft.: W/ Sq. Ft. = Fixture Qty. x Luminaire Watts / Sq. Ft. of Rm.</p>	RCR 2					Room Size	Fixture Grid	FC*	W/ Sq.Ft.	DIR*	43'x43' 12' tall	10'x14'	39	0.48	81
RCR 2																
Room Size	Fixture Grid	FC*	W/ Sq.Ft.	DIR*												
43'x43' 12' tall	10'x14'	39	0.48	81												

SLO3IND8 25L 35K LW xx xx MW

CANDLEPOWER CURVE TEST SP-01436_3	INTENSITY CANDELA 0° AZIMUTH	ZONAL LUMENS	SINGLE UNIT: PERFORMANCE HORIZONTAL FOOTCANDLES INITIAL DOWNLIGHT ONLY				MULTIPLE UNITS: PERFORMANCE 80/50/20% REFLECTANCES HORIZONTAL FOOTCANDLES AND WATTS/SQ FT																									
			0°	90°	180°	270°	Mounting Distance	FC at Beam Center	Width at Beam Angle	FC at Beam Edge	RCR 2				RCR 4																	
											Room Size	Fixture Grid	FC*	W/ Sq.Ft.	DIR*	Room Size	Fixture Grid	FC*	W/ Sq.Ft.	DIR*												
											0°	3459	3459	3459	3459	0° - 10°	341	3%	6.5'	82 fc	22.0'	5 fc	28'x28' 9' tall	12'x10'	61	0.76	81	14'x14' 9' tall	0'x8'	94	1.51	62
											5°	3556	3417	3556	3417	0° - 20°	1409	10%	7.5'	61 fc	25.4'	4 fc	43'x43' 12' tall	12'x14'	58	0.72	81	21'x21' 12' tall	8'x14'	84	1.34	62
											15°	4227	3275	4227	3275	0° - 30°	3271	24%	8.5'	48 fc	28.8'	3 fc	63'x63' 16' tall	14'x18'	36	0.45	81	31'x31' 16' tall	12'x16'	38	0.62	62
											25°	5015	3008	5015	3008	0° - 40°	5743	42%	10.0'	35 fc	33.8'	2 fc	1' Suspension Length to luminous aperture * Average Initial Footcandles at 2.5' Above Floor * Delivered Illuminance Rating in FC per W/Sq.Ft.									
											35°	5037	2645	5037	2645	0° - 60°	10831	80%	12.0'	24 fc	40.6'	2 fc										
											45°	4425	2210	4425	2210	0° - 80°	13422	99%	14.0'	18 fc	47.4'	1 fc										
											55°	3179	1710	3179	1710	0° - 90°	13596	100%	16.0'	14 fc	54.1'	1 fc										
											90°	15	12	15	12	Total	13596	100%	20.0'	9 fc	67.7'	1 fc										

Delivered Lumens: **13596**
 Luminaire Watts: **148**
 LER: **91.86**

CP at 0° (Nadir): **3459**
 CRI: **80**

Beam Angle: **119° x 74°**
 Spacing Ratio: **1.90 x 1.21**

Lumen Multiplier: **05L x 0.22, 11L x 0.47, 20L x 0.82**
 CCT Multiplier: **30K x 0.97, 40K x 1.02**

SLO3IND8 25L 35HK LW xx xx MW

CANDLEPOWER CURVE TEST SP-01374_3	INTENSITY CANDELA 0° AZIMUTH	ZONAL LUMENS	SINGLE UNIT: PERFORMANCE HORIZONTAL FOOTCANDLES INITIAL DOWNLIGHT ONLY				MULTIPLE UNITS: PERFORMANCE 80/50/20% REFLECTANCES HORIZONTAL FOOTCANDLES AND WATTS/SQ FT																									
			0°	90°	180°	270°	Mounting Distance	FC at Beam Center	Width at Beam Angle	FC at Beam Edge	RCR 2				RCR 4																	
											Room Size	Fixture Grid	FC*	W/ Sq.Ft.	DIR*	Room Size	Fixture Grid	FC*	W/ Sq.Ft.	DIR*												
											0°	3160	3160	3160	3160	0° - 10°	312	3%	6.5'	75 fc	21.6'	4 fc	28'x28' 9' tall	12'x10'	54	0.78	70	14'x14' 9' tall	0'x8'	84	1.55	54
											5°	3164	3142	3329	3130	0° - 20°	1277	11%	7.5'	56 fc	25.0'	3 fc	43'x43' 12' tall	12'x14'	52	0.74	70	21'x21' 12' tall	8'x14'	75	1.38	54
											15°	3569	2996	3999	3011	0° - 30°	2938	24%	8.5'	44 fc	28.3'	3 fc	63'x63' 16' tall	14'x18'	32	0.46	70	31'x31' 16' tall	16'x16'	34	0.63	54
											25°	4281	2746	4593	2758	0° - 40°	5146	42%	10.0'	32 fc	33.3'	2 fc	1' Suspension Length to luminous aperture * Average Initial Footcandles at 2.5' Above Floor * Delivered Illuminance Rating in FC per W/Sq.Ft.									
											35°	4552	2418	4463	2421	0° - 60°	9668	80%	12.0'	22 fc	39.9'	1 fc										
											45°	4110	2019	3687	2023	0° - 80°	11967	99%	14.0'	16 fc	46.6'	1 fc										
											55°	3047	1563	2510	1562	0° - 90°	12117	100%	16.0'	12 fc	53.2'	1 fc										
											90°	12	11	9	9	Total	12117	100%	20.0'	8 fc	66.5'	0 fc										

Delivered Lumens: **12117**
 Luminaire Watts: **152**
 LER: **79.72**

CP at 0° (Nadir): **3160**
 CRI: **90**

Beam Angle: **118° x 76°**
 Spacing Ratio: **1.91 x 1.21**

Lumen Multiplier: **05L x 0.22, 11L x 0.46, 20L x 0.81**
 CCT Multiplier: **27HK x 0.95, 30HK x 0.98, 40HK x 1.01**

HOW TO USE PERFORMANCE DATA

SINGLE UNIT	MULTIPLE UNITS															
<p>Beam Angle</p>	<p>Grid layout of multiple luminaires in unfurnished, square rooms of different proportions (Room Cavity Ratios) with 80/50/20% room surface reflectances. 1' Suspension Length to aperture. Initial average illumination (FC) calculated at 2.5' above floor, using Zonal Cavity Method. W/Sq. Ft. of layout shown for each ceiling height and RCR.</p> <p>Delivered Illuminance Rating (DIR)*: System performance indicator expressed as ratio of approximate initial FC per W/Sq. Ft. delivered to horizontal plane below, for the range of ceiling heights indicated.</p> <ul style="list-style-type: none"> - To estimate FC for Fixture Spacing that is different than shown (do not exceed Spacing Ratio): $FC = (\text{Fixture Grid area}) / (\text{Different Grid area}) \times \text{Chart FC}$ - To estimate Sq. Ft. per fixture for a specific target FC: $\text{Sq. Ft.} / \text{Fixture} = \text{Chart FC} \times (\text{Fixture Grid area}) / \text{Target FC}$ 															
	<p>Sample layout as calculated above:</p> <table border="1"> <thead> <tr> <th colspan="5">RCR 2</th> </tr> <tr> <th>Room Size</th> <th>Fixture Grid</th> <th>FC*</th> <th>W/ Sq.Ft.</th> <th>DIR*</th> </tr> </thead> <tbody> <tr> <td>63'x63' 16' tall</td> <td>14'x18'</td> <td>36</td> <td>0.45</td> <td>81</td> </tr> </tbody> </table> <ul style="list-style-type: none"> - To estimate Fixture Quantity in a room: $\text{Fixture Qty.} = \text{Sq. Ft. of Rm.} / \text{Sq. Ft. per fixture}$ - To estimate Watts/Sq. Ft.: $\text{W/ Sq. Ft.} = \text{Fixture Qty.} \times \text{Luminaire Watts} / \text{Sq. Ft. of Rm.}$ 	RCR 2					Room Size	Fixture Grid	FC*	W/ Sq.Ft.	DIR*	63'x63' 16' tall	14'x18'	36	0.45	81
RCR 2																
Room Size	Fixture Grid	FC*	W/ Sq.Ft.	DIR*												
63'x63' 16' tall	14'x18'	36	0.45	81												

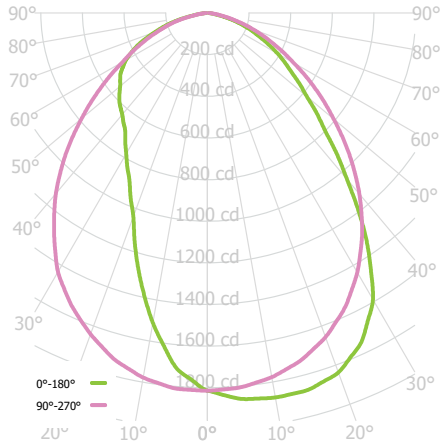
SPECLINE PENDANT

2.3" x 3.3" LINEAR

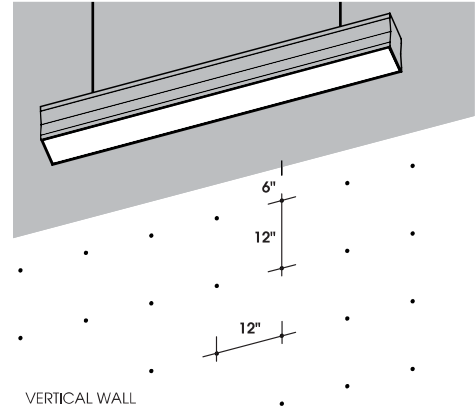


SL03IND2 25L 35K LA xx xx MW

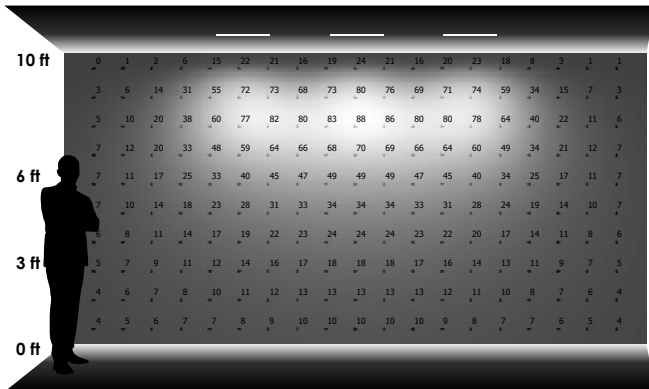
CANDLEPOWER CURVE TEST SP-01429_3	PERFORMANCE SUMMARY	REFERENCE DIAGRAM
--------------------------------------	---------------------	-------------------



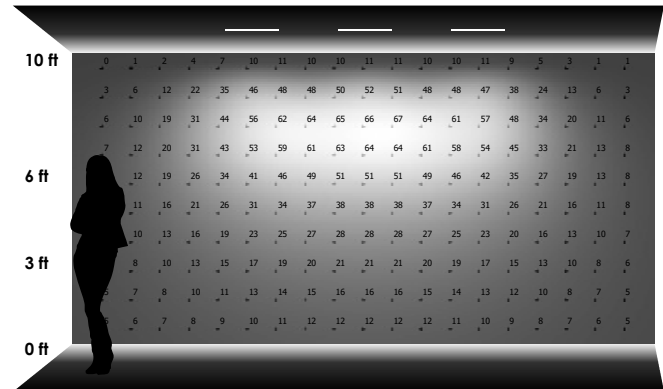
Delivered Lumens: 3704
 Luminaire Watts: 37
 LER: 100.11
 CP at 0deg (Nadir): 1814
 CRI: 80
 Lumen Multiplier: 05L x 0.22, 11L x 0.47, 20L x 0.82
 CCT Multiplier: 30K x 0.97, 40K x 1.02



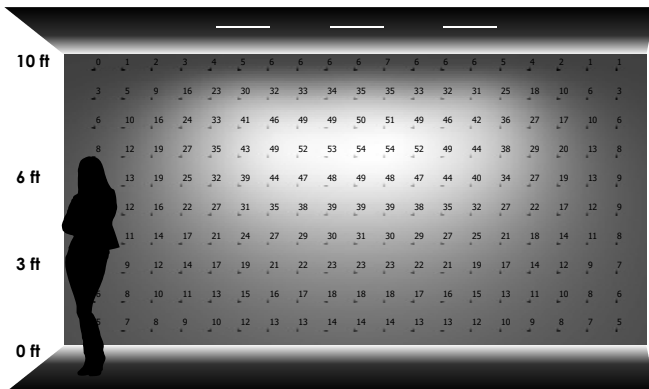
PERFORMANCE DATA - INITIAL ILLUMINATION (FOOTCANDLES) ON WALL - DIRECT LIGHT ONLY



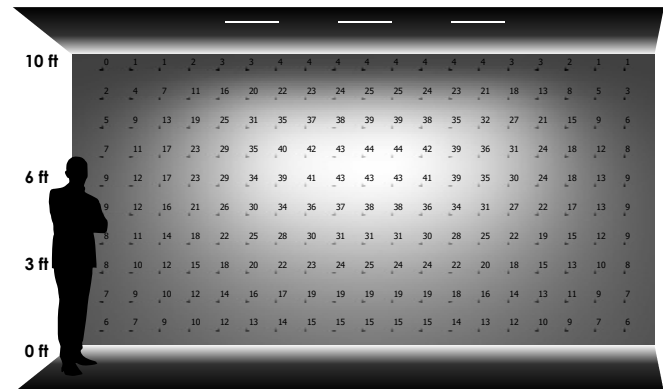
THREE LUMINAIRES
 2'-0" away from wall
 4'-0" on center



THREE LUMINAIRES
 2'-6" away from wall
 4'-0" on center



THREE LUMINAIRES
 3'-0" away from wall
 4'-0" on center



THREE LUMINAIRES
 3'-6" away from wall
 4'-0" on center

SPECLINE PENDANT

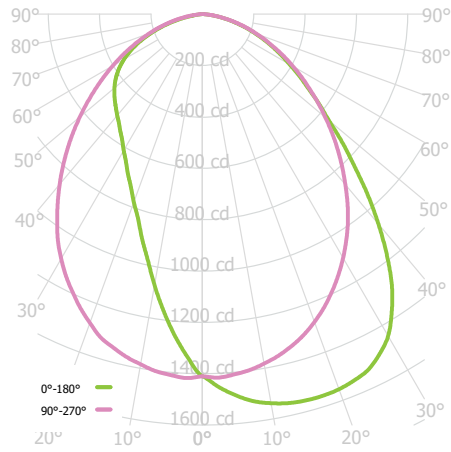
2.3" x 3.3" LINEAR



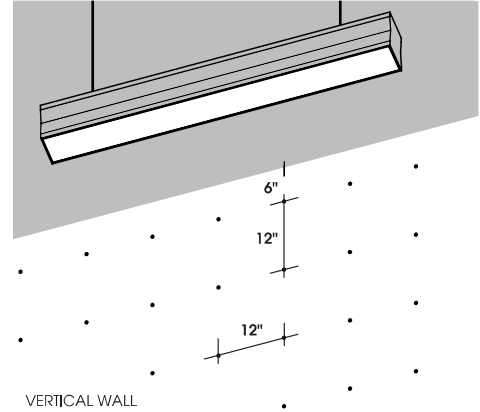
Spectrum Lighting

SL03IND2 25L 35HK LA xx xx MW

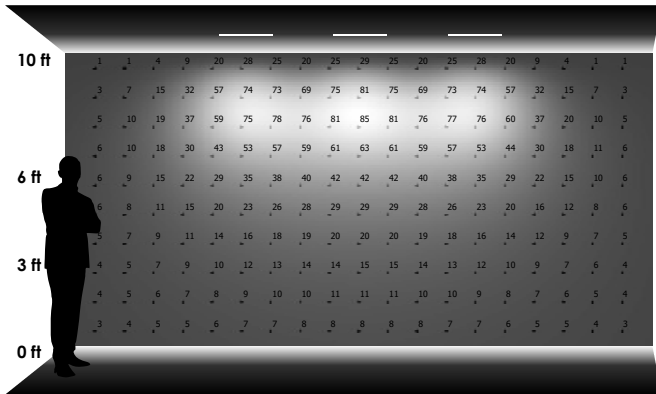
CANDLEPOWER CURVE TEST SP-01322_4	PERFORMANCE SUMMARY	REFERENCE DIAGRAM
--------------------------------------	---------------------	-------------------



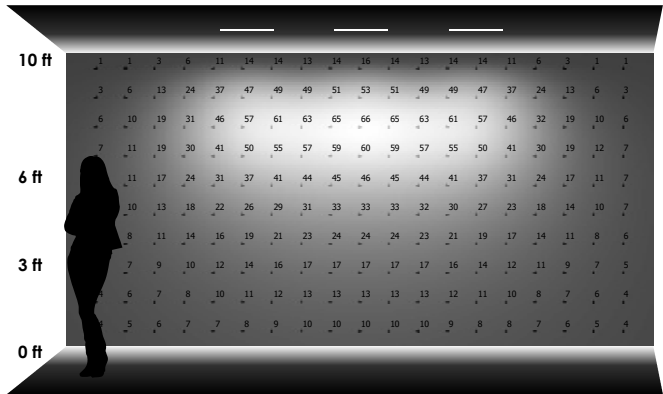
Delivered Lumens: 3141
 Luminaire Watts: 38
 LER: 82.66
 CP at 0deg (Nadir): 1410
 CRI: 90
 Lumen Multiplier: 05L x 0.22, 11L x 0.46, 20L x 0.82
 CCT Multiplier: 27HK x 0.95, 30HK x 0.98, 40HK x 1.01



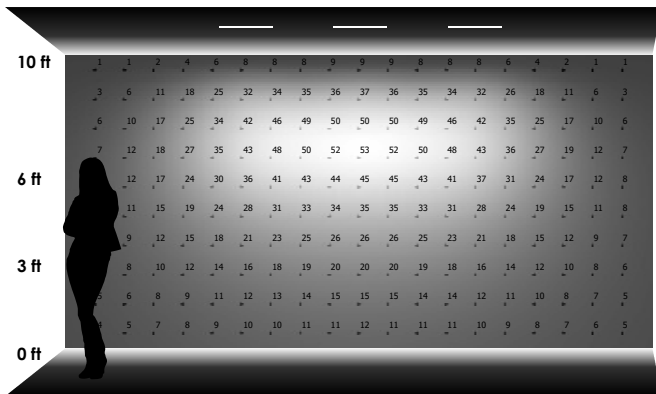
PERFORMANCE DATA - INITIAL ILLUMINATION (FOOTCANDLES) ON WALL - DIRECT LIGHT ONLY



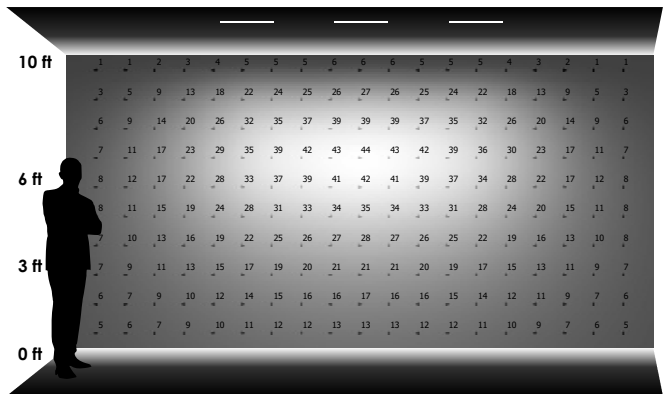
THREE LUMINAIRES
 2'-0" away from wall
 4'-0" on center



THREE LUMINAIRES
 2'-6" away from wall
 4'-0" on center



THREE LUMINAIRES
 3'-0" away from wall
 4'-0" on center



THREE LUMINAIRES
 3'-6" away from wall
 4'-0" on center

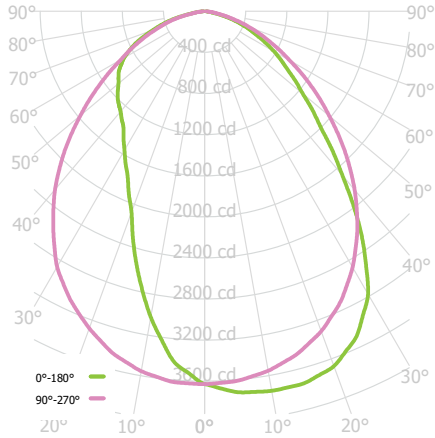
SPECLINE PENDANT

2.3" x 3.3" LINEAR

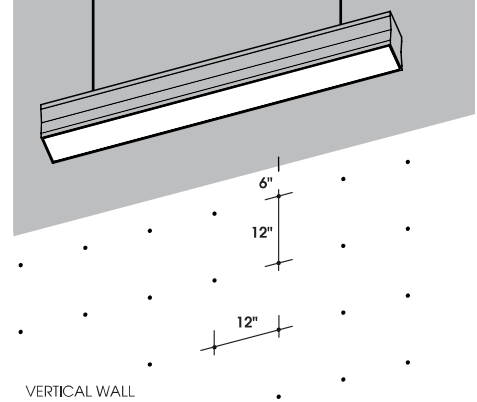


SL03IND4 25L 35K LA xx xx MW

CANDLEPOWER CURVE TEST SP-01432_3	PERFORMANCE SUMMARY	REFERENCE DIAGRAM
--------------------------------------	---------------------	-------------------



Delivered Lumens: 7408
Luminaire Watts: 74
LER: 100.11
CP at 0deg (Nadir): 3629
CRI: 80
Lumen Multiplier: 5L x 0.22, 11L x 0.47, 20L x 0.82
CCT Multiplier: 30K x 0.97, 40K x 1.02



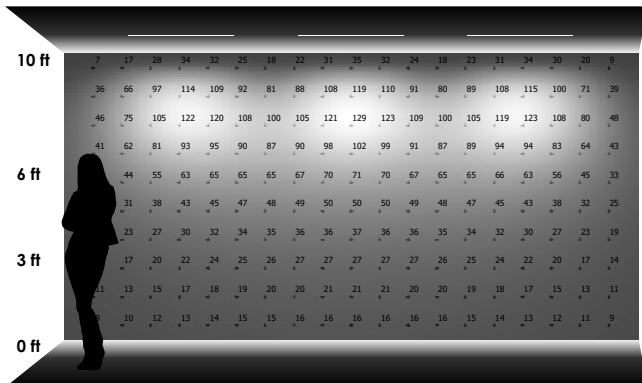
PERFORMANCE DATA - INITIAL ILLUMINATION (FOOTCANDLES) ON WALL - DIRECT LIGHT ONLY



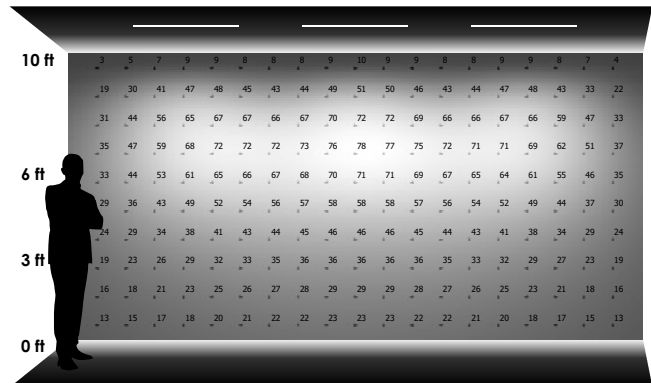
THREE LUMINAIRES
2'-0" away from wall
4'-0" on center, 12'-0" row



THREE LUMINAIRES
3'-0" away from wall
4'-0" on center, 12'-0" row



THREE LUMINAIRES
2'-0" away from wall
6'-0" on center



THREE LUMINAIRES
3'-0" away from wall
6'-0" on center

SPECLINE PENDANT

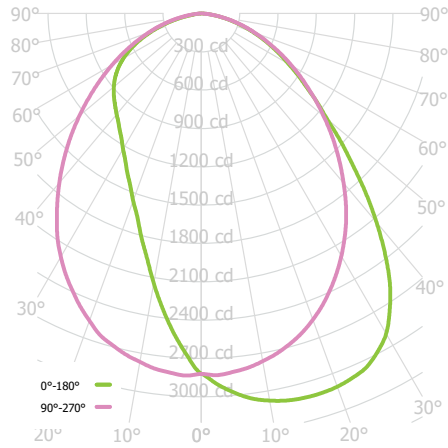
2.3" x 3.3" LINEAR



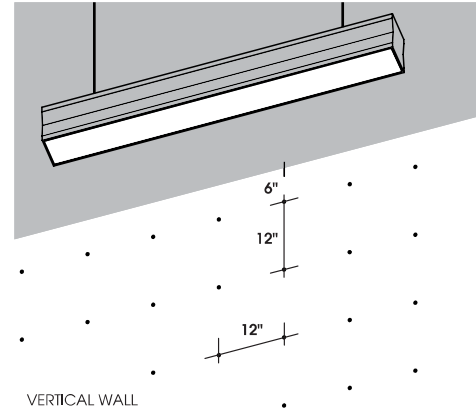
Spectrum Lighting

SL03IND4 25L 35HK LA xx xx MW

CANDLEPOWER CURVE TEST SP-01370_3	PERFORMANCE SUMMARY	REFERENCE DIAGRAM
--------------------------------------	---------------------	-------------------



Delivered Lumens: 6282
 Luminaire Watts: 76
 LER: 82.66
 CP at 0deg (Nadir): 2820
 CRI: 90
 Lumen Multiplier: 05L x 0.22, 11L x 0.46, 20L x 0.82
 CCT Multiplier: 27HK x 0.95, 30HK x 0.98, 40HK x 1.01



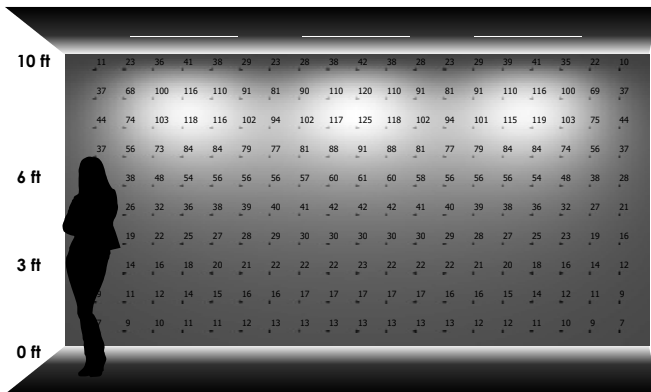
PERFORMANCE DATA - INITIAL ILLUMINATION (FOOTCANDLES) ON WALL - DIRECT LIGHT ONLY



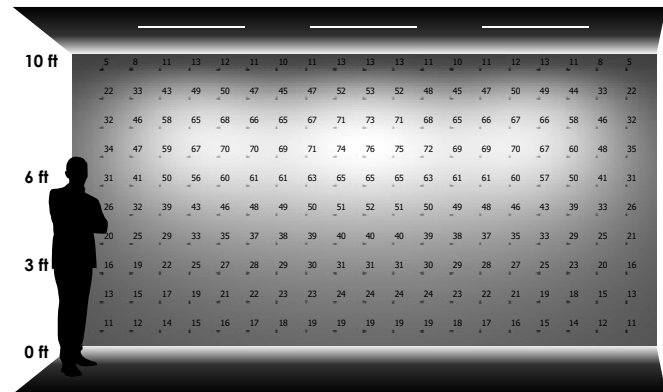
THREE LUMINAIRES
 2'-0" away from wall
 4'-0" on center, 12'-0" row



THREE LUMINAIRES
 3'-0" away from wall
 4'-0" on center, 12'-0" row



THREE LUMINAIRES
 2'-0" away from wall
 6'-0" on center



THREE LUMINAIRES
 3'-0" away from wall
 6'-0" on center

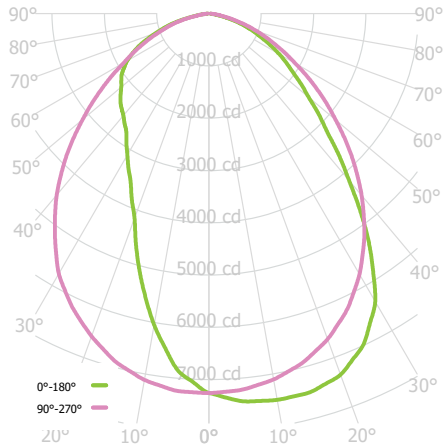
SPECLINE PENDANT

2.3" x 3.3" LINEAR

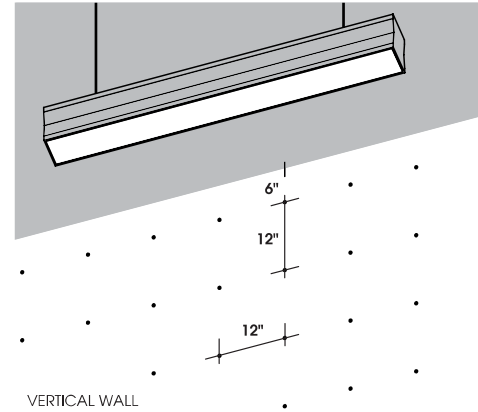


SL03IND8 25L 35K LA xx xx MW

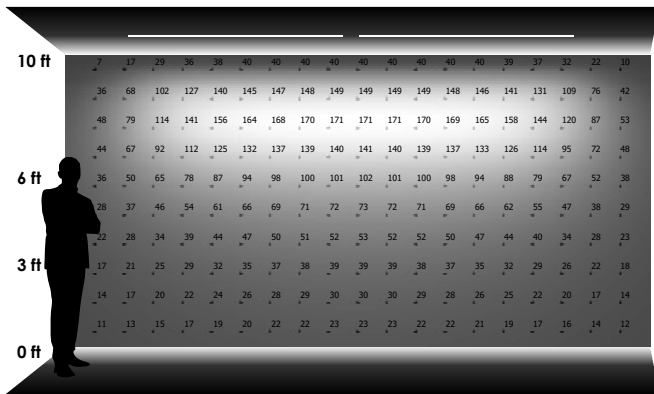
CANDLEPOWER CURVE TEST SP-01435_3	PERFORMANCE SUMMARY	REFERENCE DIAGRAM
--------------------------------------	---------------------	-------------------



Delivered Lumens: 14817
 Luminaire Watts: 148
 LER: 100.11
 CP at 0deg (Nadir): 7257
 CRI: 80
 Lumen Multiplier: 5L x 0.21, 11L x 0.46, 20L x .80
 CCT Multiplier: 30K x 0.97, 40K x 1.02



PERFORMANCE DATA - INITIAL ILLUMINATION (FOOTCANDLES) ON WALL - DIRECT LIGHT ONLY



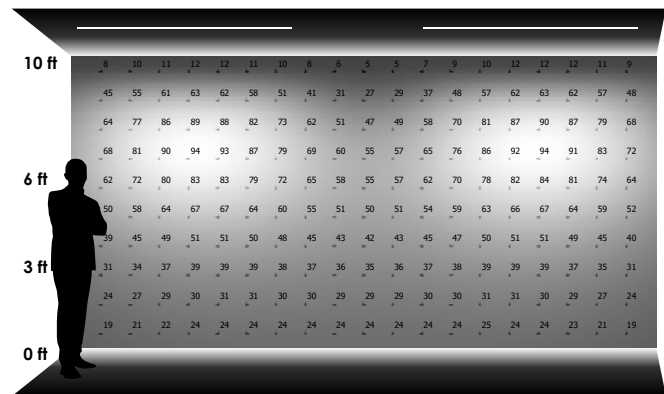
TWO LUMINAIRES
 2'-0" away from wall
 8'-0" on center, 16'-0" row



TWO LUMINAIRES
 3'-0" away from wall
 8'-0" on center, 16'-0" row



TWO LUMINAIRES
 2'-0" away from wall
 10'-0" on center



TWO LUMINAIRES
 3'-0" away from wall
 10'-0" on center

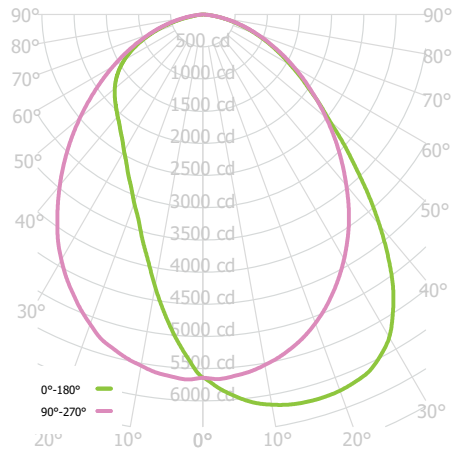
SPECLINE PENDANT

2.3" x 3.3" LINEAR

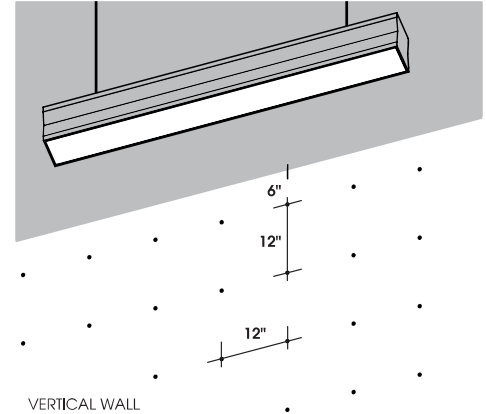


SL03IND8 25L 35HK LA xx xx MW

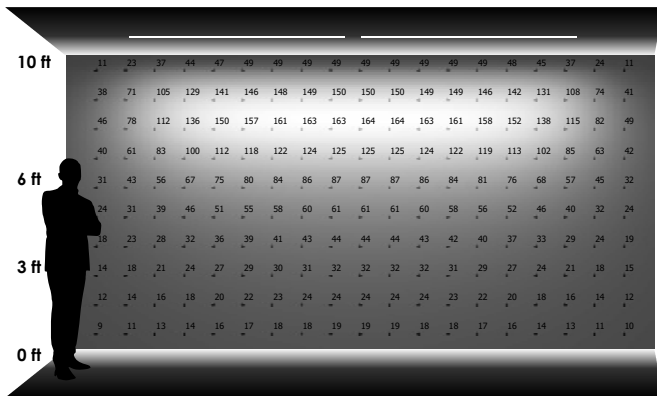
CANDLEPOWER CURVE TEST SP-01373_3	PERFORMANCE SUMMARY	REFERENCE DIAGRAM
--------------------------------------	---------------------	-------------------



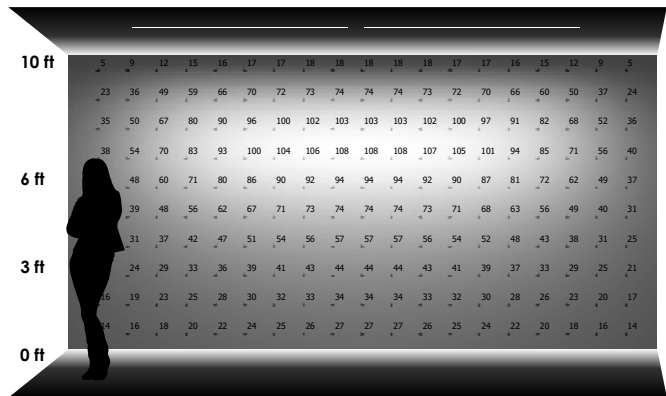
Delivered Lumens: 12564
 Luminaire Watts: 152
 LER: 82.66
 CP at 0deg (Nadir): 5641
 CRI: 90
 Lumen Multiplier: 05L x 0.22, 11L x 0.46, 20L x 0.82
 CCT Multiplier: 27HK x 0.95, 30HK x 0.98, 40HK x 1.01



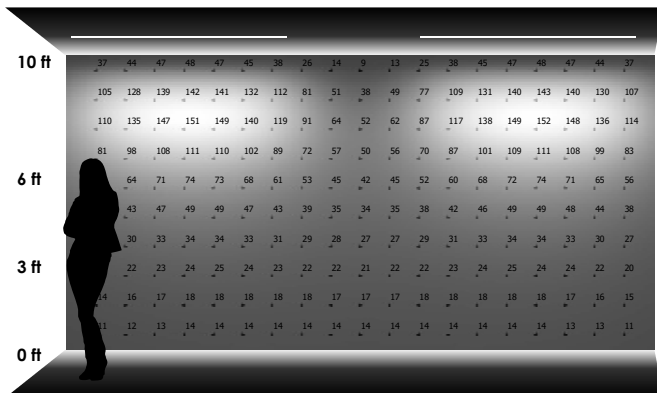
PERFORMANCE DATA - INITIAL ILLUMINATION (FOOTCANDLES) ON WALL - DIRECT LIGHT ONLY



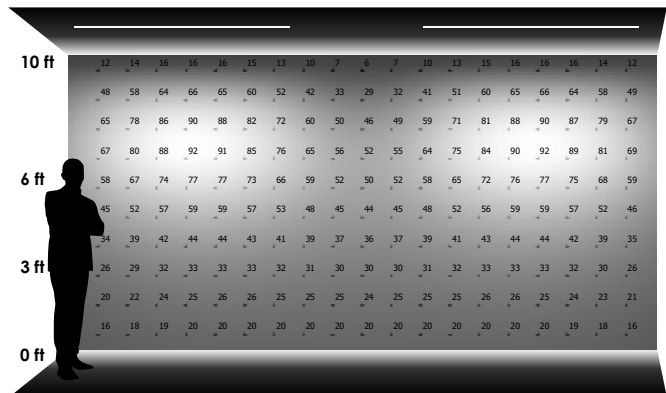
TWO LUMINAIRES
 2'-0" away from wall
 8'-0" on center, 16'-0" row



TWO LUMINAIRES
 3'-0" away from wall
 8'-0" on center, 16'-0" row



TWO LUMINAIRES
 2'-0" away from wall
 10'-0" on center



TWO LUMINAIRES
 3'-0" away from wall
 10'-0" on center