

SPECLINE PENDANT

2.3" x 3.3" LINEAR

1.8" aperture linear pendant for general illumination. Multi-stage polyester powder-coat process applied on our dedicated paint lines.

LUMENS / WATTAGE DATA

PART NUMBER	DELIVERED LUMENS ¹	SYSTEM WATTS	LPW
SLO3IND4 05L 35K DW	1273	19	67
SLO3IND4 11L 35K DW	2738	34	81
SLO3IND4 20L 35K DW	4814	60	80
SLO3IND4 25L 35K DW	5875	74	79

¹ Performance varies for each trim, CCT, CRI, Beam Spread, Lens option; See Photometry files for data for selected option.

FEATURES

Slim profile for minimalist appearance. Pendant Mounted with cable. Choice of three interchangeable optical lenses flush mount.

FINISH

Multi-stage polyester powder-coat process applied on our dedicated paint lines. See mounting and color pages for standard finishes.

ELECTRONICS

LED module features high brightness white LEDs. 3-step MacAdam Ellipses binning and CRI 80 & 90 minimum. Variety of electronic 120V/277V and dimming drivers.

CONSTRUCTION

Seamless extruded aluminum housing with die cast sculpted endcaps. Snap-in acrylic lenses provide high transmission with multiple distribution options.

OPTICS

Snap-in extruded acrylic lenses provided multiple distributions including:

DW - Smooth diffuse white extruded acrylic generates lambertian distribution for general illumination.

LW - Lenticular profile extrusion generates wide beam distribution with uniform illumination that reduces central hot spots and allows for wide ceiling spacing.

LA - Lenticular profile extrusion generates directional, asymmetric distribution for applications requiring vertical illumination.

CODE COMPLIANCE

BAA Compliant. Non-IC rated. Manufactured to UL standards No. 1598/8750.

PRODUCT SELECTOR GUIDE

SERIES	LUMENS ¹	CCT	OPTICS	DRIVER / VOLTAGE	OPTIONS	MOUNTING	FINISH

EXAMPLE

SLO3IND4GL	11L	35K	DW	DX	EMIT	CD36	MW
-------------------	-----	-----	----	----	------	------	----

SERIES	LUMENS ¹	CCT	OPTICAL LENSES	DRIVER / VOLTAGE	OPTIONS	MOUNTING ⁵	FINISH ⁷
INDIVIDUAL	05L 550 Lm/Ft 11L 1100 Lm/Ft 20L 2000 Lm/Ft 25L 2500 Lm/Ft	80 CRI 30K 3000K 35K 3500K 40K 4000K	DW General Illumination Diffuse White LW Wide Beam Symmetric LA Asymmetric Wall Wash	DX 1%, 0-10V, 120V/277V	EMIT ^{2/3/4} SEN ³ Integral Emergency Battery Integral PhotoCell and Occupancy Sensor	CD36 36" Cord & Cable Mount CD72 72" Cord & Cable Mount CD144 144" Cord & Cable Mount CDLCxx ⁶ Custom Length Cord & Cable Mount	MW Matte White MB Matte Black PT Platinum Silver CC Custom Color
CONTINUOUS ROW ¹		90 CRI 30HK 3000K 35HK 3500K 40HK 4000K					
SLO3ROWxxGL							
¹ ROW Length to be Called Out in Feet (increments of 2FT). See page 3 for Additional information ² Not Available in SLO3IND2 ³ See Page 3 for End Cap Details ⁴ EMIT in ROW lengths Require a Lighting Layout to be provided ⁵ See Page 3 for Mounting Distance ⁶ Specify Length in inches ⁷ See Color Page for More Options/Consult Factory for Special Finishes							

PROJECT: _____

QUANTITY: _____

TYPE: _____



COPYRIGHT 2022 SPECTRUM LIGHTING, INC.

SPECLINE PENDANT

2.3" x 3.3" LINEAR

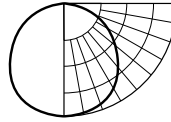


FIXTURE DIMENSIONS

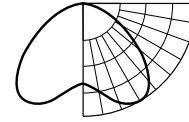


SERIES	A	B	C	D	E
SLO3IND2GL			24.0	24.375	
SLO3IND4GL	1.8	2.3	48.0	48.375	3.3
SLO3IND8GL			96.0	96.375	

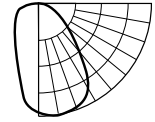
OPTICAL LENSES



DW - Diffuse White

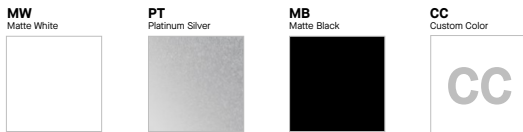


LW - Wide Beam Symmetric



LA - Asymmetric Wall Wash

FINISH



PAINT TIMES

TIER	COST	AVERAGE PAINT TIME*
Tier 1 - Standard Finishes	\$	
Custom Color	Contact Factory	Contact Factory

*CONTACT FACTORY FOR SPECIFIC PRODUCT LEAD TIMES

STANDARD CORD / CANOPY FINISHES

FIXTURE COLOR	STANDARD CORD COLOR	STANDARD CANOPY
Matte White	Matte White	Matte White
Matte Black	Matte Black	Matte Black
All Others	Matte Black	Same Color as Fixture
Custom Color	Contact Factory	Contact Factory

MOUNTING

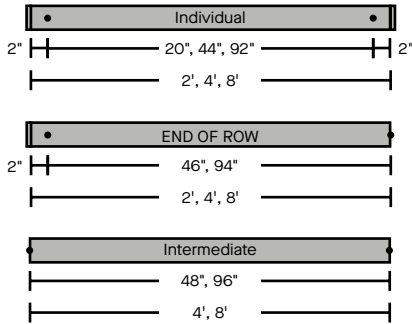
CD
CORD / CABLE MOUNT
SJ CORD WITH 1/16 SS CABLE



ORDER: **CD** (Length)
SPECIFY LENGTH:
CD36 - 36"
CD72 - 72"
CD144 - 144"
CDLC(XX)
Custom Length
(Specify in Inches)

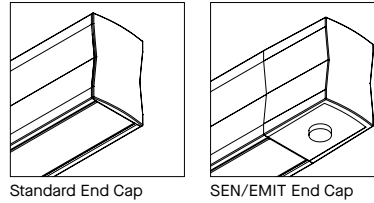
MODULE INFORMATION

Available as individual or continuous row mount. Row configurations comprised of End of Row and Intermediate modules. Note: Cable locations shown below marked by ●. Feed locations are at beginning of row unless specified, and additional feed cord at every 32ft (4 8ft sections)



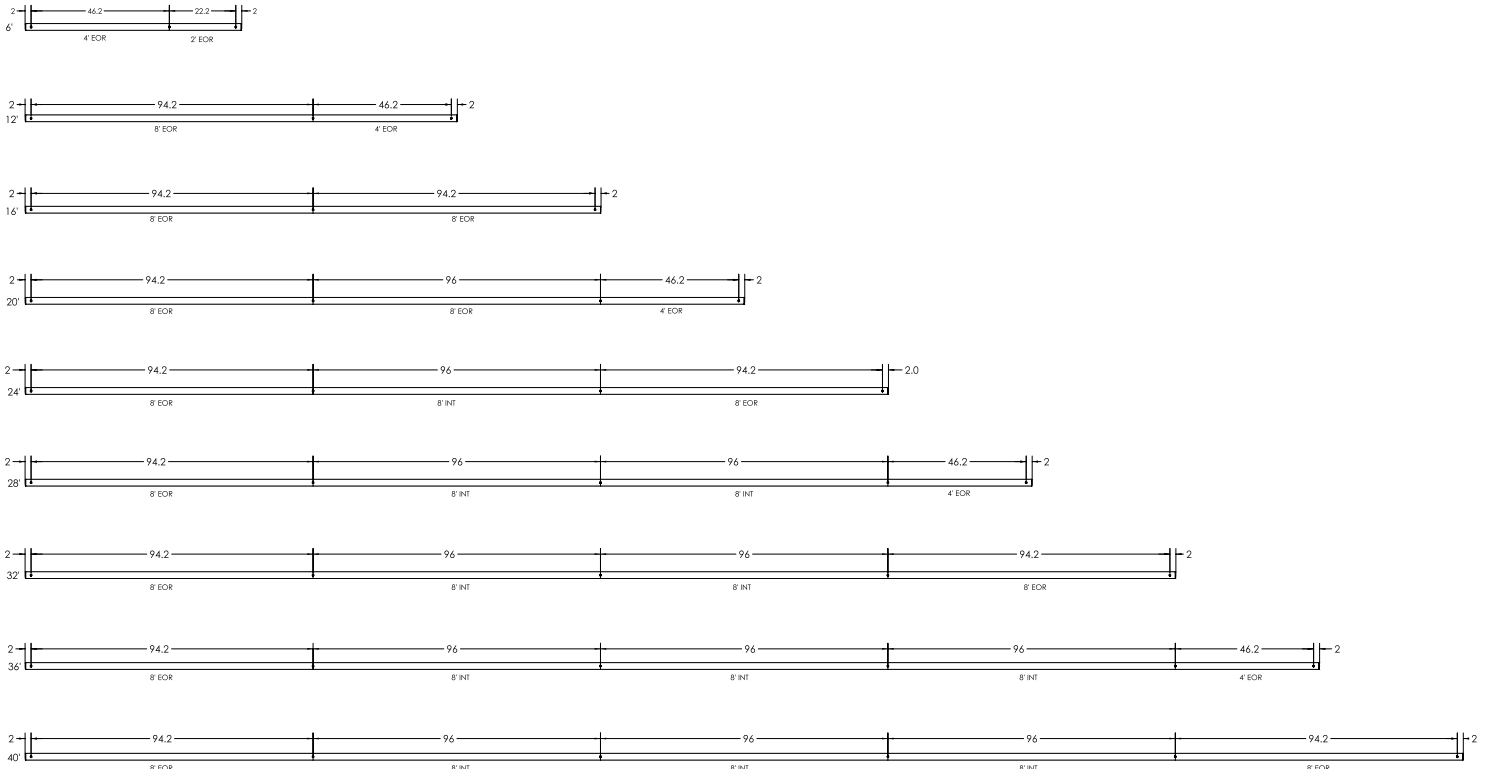
END CAPS

(2) Die Cast aluminum end cap options are available. End cap thickness are not included in individual or row lengths. Standard end cap is .1875" thick, sensor option (SEN) end cap is 2.86" long.



ROW CONFIGURATIONS

Continuous runs of SpecLine Linear that are greater than 8 ft. in length are considered rows (exception to this is ROW6). Rows are combinations of 2', 4' and/or 8' modules to be assembled on site. The rows below are considered standard offering. Contact factory for lengths not specified below. For EMIT options in ROW lengths, a lighting layout is Required for proper placement of EM. One EM pack lights a 4ft section of ROW.



SLO3IND2 25L 35K DW xx xx MW

CANDLEPOWER CURVE TEST SP-01428_3	INTENSITY CANDELA 0° AZIMUTH	ZONAL LUMENS	SINGLE UNIT: PERFORMANCE HORIZONTAL FOOTCANDLES INITIAL DOWNLIGHT ONLY				MULTIPLE UNITS: PERFORMANCE 80/50/20% REFLECTANCES HORIZONTAL FOOTCANDLES AND WATTS/SQ FT													
			Mounting Distance	FC at Beam Center	Diameter at Beam Angle	FC at Beam Edge	RCR 3					RCR 5								
		0°	0° - 10°	99	3%						Room Size	Fixture Grid	FC*	W/ Sq.Ft.	DIR*	Room Size	Fixture Grid	FC*	W/ Sq.Ft.	DIR*
<p>Delivered Lumens: 2938 Luminaire Watts: 37 LER: 79.41</p>	0°	1031	0° - 20°	379	13%	6.5'	24 fc	19.3'	2 fc	RCR 3					RCR 5					
	5°	1026	0° - 30°	802	27%	7.5'	18 fc	22.3'	2 fc	18'x18' 9' tall	6'x6'	63	1.03	62	11'x11' 9' tall	6'x6'	60	1.22	49	
	15°	988	0° - 40°	1313	45%	8.5'	14 fc	25.2'	1 fc	28'x28' 12' tall	8'x10'	35	0.57	62	17'x17' 12' tall	6'x8'	38	0.77	49	
	25°	918	0° - 60°	2318	79%	10.0'	10 fc	29.7'	1 fc	42'x42' 16' tall	12'x12'	21	0.34	62	25'x25' 16' tall	10'x10'	26	0.53	49	
	35°	813	0° - 80°	2878	98%	12.0'	7 fc	35.6'	1 fc	1' Suspension Length to luminous aperture * Average Initial Footcandles at 2.5' Above Floor * Delivered Illuminance Rating in FC per W/Sq.Ft.										
	45°	683	0° - 90°	2925	100%	14.0'	5 fc	41.6'	0 fc	Lumen Multiplier: 05L x 0.22, 11L x 0.47, 20L x 0.82										
	55°	534	Total	2938	100%	16.0'	4 fc	47.5'	0 fc	CCT Multiplier: 30K x 0.97, 40K x 1.02										
	90°	4				20.0'	3 fc	59.4'	0 fc	Beam Angle: 112° x 112° Spacing Ratio: 1.25 x 1.25										
			CP at 0° (Nadir):	1031							Mlum Multiplier: 05L x 0.22, 11L x 0.47, 20L x 0.82 CCT Multiplier: 30K x 0.97, 40K x 1.02									
											CR: 80									

SLO3IND2 25L 35HK DW xx xx MW

CANDLEPOWER CURVE TEST SP-01320_4	INTENSITY CANDELA 0° AZIMUTH	ZONAL LUMENS	SINGLE UNIT: PERFORMANCE HORIZONTAL FOOTCANDLES INITIAL DOWNLIGHT ONLY				MULTIPLE UNITS: PERFORMANCE 80/50/20% REFLECTANCES HORIZONTAL FOOTCANDLES AND WATTS/SQ FT													
			Mounting Distance	FC at Beam Center	Diameter at Beam Angle	FC at Beam Edge	RCR 3					RCR 5								
		0°	0° - 10°	88	3%						Room Size	Fixture Grid	FC*	W/ Sq.Ft.	DIR*	Room Size	Fixture Grid	FC*	W/ Sq.Ft.	DIR*
<p>Delivered Lumens: 2595 Luminaire Watts: 38 LER: 68.29</p>	0°	913	0° - 20°	336	13%	6.5'	22 fc	19.3'	2 fc	RCR 3					RCR 5					
	5°	908	0° - 30°	711	27%	7.5'	16 fc	22.3'	1 fc	18'x18' 9' tall	6'x6'	56	1.06	53	11'x11' 9' tall	6'x6'	53	1.26	42	
	15°	882	0° - 40°	1163	45%	8.5'	13 fc	25.2'	1 fc	28'x28' 12' tall	8'x10'	31	0.58	53	17'x17' 12' tall	6'x8'	33	0.79	42	
	25°	812	0° - 60°	2054	79%	10.0'	9 fc	29.7'	1 fc	42'x42' 16' tall	12'x12'	18	0.34	53	25'x25' 16' tall	10'x10'	23	0.55	42	
	35°	722	0° - 80°	2546	98%	12.0'	6 fc	35.6'	1 fc	1' Suspension Length to luminous aperture * Average Initial Footcandles at 2.5' Above Floor * Delivered Illuminance Rating in FC per W/Sq.Ft.										
	45°	607	0° - 90°	2586	100%	14.0'	5 fc	41.6'	0 fc	Lumen Multiplier: 05L x 0.21, 11L x 0.46, 20L x 0.81										
	55°	472	Total	2595	100%	16.0'	4 fc	47.5'	0 fc	CCT Multiplier: 27HK x 0.95, 30HK x 0.98, 40HK x 1.01										
	90°	3				20.0'	2 fc	59.4'	0 fc	Beam Angle: 112° x 111° Spacing Ratio: 1.25 x 1.30										
			CP at 0° (Nadir):	913							Mlum Multiplier: 05L x 0.21, 11L x 0.46, 20L x 0.81 CCT Multiplier: 27HK x 0.95, 30HK x 0.98, 40HK x 1.01									
											CR: 90									

HOW TO USE PERFORMANCE DATA

SINGLE UNIT	MULTIPLE UNITS															
<p>Beam Angle</p>	<p>Grid layout of multiple luminaires in unfurnished, square rooms of different proportions (Room Cavity Ratios) with 80/50/20% room surface reflectances. 1' Suspension Length to aperture. Initial average illumination (FC) calculated at 2.5' above floor, using Zonal Cavity Method. W/Sq. Ft. of layout shown for each ceiling height and RCR.</p> <p>Delivered Illuminance Rating (DIR)*: System performance indicator expressed as ratio of approximate initial FC per W/Sq. Ft. delivered to horizontal plane below, for the range of ceiling heights indicated.</p> <ul style="list-style-type: none"> To estimate FC for Fixture Spacing that is different than shown (do not exceed Spacing Ratio): FC = (Fixture Grid area) / (Different Grid area) x Chart FC To estimate Sq. Ft. per fixture for a specific target FC: Sq. Ft. / Fixture = Chart FC x (Fixture Grid area) / Target FC 															
	<p>Sample layout as calculated above:</p> <table border="1"> <thead> <tr> <th colspan="5">RCR 3</th> </tr> <tr> <th>Room Size</th> <th>Fixture Grid</th> <th>FC*</th> <th>W/ Sq.Ft.</th> <th>DIR*</th> </tr> </thead> <tbody> <tr> <td>18'x18' 9' tall</td> <td>6'x6'</td> <td>63</td> <td>1.03</td> <td>62</td> </tr> </tbody> </table> <ul style="list-style-type: none"> To estimate Fixture Quantity in a room: Fixture Qty. = Sq. Ft. of Rm. / Sq. Ft. per fixture To estimate Watts/Sq. Ft.: W/ Sq. Ft. = Fixture Qty. x Luminaire Watts / Sq. Ft. of Rm. 	RCR 3					Room Size	Fixture Grid	FC*	W/ Sq.Ft.	DIR*	18'x18' 9' tall	6'x6'	63	1.03	62
RCR 3																
Room Size	Fixture Grid	FC*	W/ Sq.Ft.	DIR*												
18'x18' 9' tall	6'x6'	63	1.03	62												



SLO3IND4 25L 35K DW xx xx MW

CANDLEPOWER CURVE TEST SP-01431_3	INTENSITY CANDELA 0° AZIMUTH	ZONAL LUMENS	SINGLE UNIT: PERFORMANCE HORIZONTAL FOOTCANDLES INITIAL DOWNLIGHT ONLY	MULTIPLE UNITS: PERFORMANCE 80/50/20% REFLECTANCES HORIZONTAL FOOTCANDLES AND WATTS/SQ FT																																																																																							
<p>Delivered Lumens: 5875 Luminaire Watts: 74 LER: 79.39</p>	0°	0° - 10° 198 3%	<table border="1"> <thead> <tr> <th>Mounting Distance</th> <th>FC at Beam Center</th> <th>Diameter at Beam Angle</th> <th>FC at Beam Edge</th> </tr> </thead> <tbody> <tr><td>6.5'</td><td>49 fc</td><td>19.3'</td><td>4 fc</td></tr> <tr><td>7.5'</td><td>37 fc</td><td>22.3'</td><td>3 fc</td></tr> <tr><td>8.5'</td><td>29 fc</td><td>25.2'</td><td>2 fc</td></tr> <tr><td>10.0'</td><td>21 fc</td><td>29.7'</td><td>2 fc</td></tr> <tr><td>12.0'</td><td>14 fc</td><td>35.6'</td><td>1 fc</td></tr> <tr><td>14.0'</td><td>11 fc</td><td>41.6'</td><td>1 fc</td></tr> <tr><td>16.0'</td><td>8 fc</td><td>47.5'</td><td>1 fc</td></tr> <tr><td>20.0'</td><td>5 fc</td><td>59.4'</td><td>0 fc</td></tr> </tbody> </table> <p>Beam Angle: 112° x 112° Spacing Ratio: 1.25 x 1.25</p>	Mounting Distance	FC at Beam Center	Diameter at Beam Angle	FC at Beam Edge	6.5'	49 fc	19.3'	4 fc	7.5'	37 fc	22.3'	3 fc	8.5'	29 fc	25.2'	2 fc	10.0'	21 fc	29.7'	2 fc	12.0'	14 fc	35.6'	1 fc	14.0'	11 fc	41.6'	1 fc	16.0'	8 fc	47.5'	1 fc	20.0'	5 fc	59.4'	0 fc	0° - 20° 757 13%	<table border="1"> <thead> <tr> <th colspan="5">RCR 2</th> <th colspan="5">RCR 4</th> </tr> <tr> <th>Room Size</th> <th>Fixture Grid</th> <th>FC*</th> <th>W/ Sq.Ft.</th> <th>DIR*</th> <th>Room Size</th> <th>Fixture Grid</th> <th>FC*</th> <th>W/ Sq.Ft.</th> <th>DIR*</th> </tr> </thead> <tbody> <tr> <td>28'x28' 9' tall</td> <td>8'x7'^A</td> <td>59</td> <td>0.85</td> <td>70</td> <td>14'x14' 9' tall</td> <td>6'x7'</td> <td>82</td> <td>1.51</td> <td>55</td> </tr> <tr> <td>43'x43' 12' tall</td> <td>10'x10'</td> <td>45</td> <td>0.64</td> <td>70</td> <td>21'x21' 12' tall</td> <td>10'x10'</td> <td>37</td> <td>0.67</td> <td>55</td> </tr> <tr> <td>63'x63' 16' tall</td> <td>12'x12'</td> <td>33</td> <td>0.47</td> <td>70</td> <td>31'x31' 16' tall</td> <td>10'x12'</td> <td>38</td> <td>0.69</td> <td>55</td> </tr> </tbody> </table> <p>1' Suspension Length to luminous aperture * Average Initial Footcandles at 2.5' Above Floor * Delivered Illuminance Rating in FC per W/Sq.Ft. ^A Exceeds Spacing Ratio by 2%</p>	RCR 2					RCR 4					Room Size	Fixture Grid	FC*	W/ Sq.Ft.	DIR*	Room Size	Fixture Grid	FC*	W/ Sq.Ft.	DIR*	28'x28' 9' tall	8'x7' ^A	59	0.85	70	14'x14' 9' tall	6'x7'	82	1.51	55	43'x43' 12' tall	10'x10'	45	0.64	70	21'x21' 12' tall	10'x10'	37	0.67	55	63'x63' 16' tall	12'x12'	33	0.47	70	31'x31' 16' tall	10'x12'	38	0.69	55
	Mounting Distance	FC at Beam Center		Diameter at Beam Angle	FC at Beam Edge																																																																																						
	6.5'	49 fc		19.3'	4 fc																																																																																						
	7.5'	37 fc		22.3'	3 fc																																																																																						
	8.5'	29 fc		25.2'	2 fc																																																																																						
	10.0'	21 fc		29.7'	2 fc																																																																																						
	12.0'	14 fc		35.6'	1 fc																																																																																						
	14.0'	11 fc		41.6'	1 fc																																																																																						
	16.0'	8 fc		47.5'	1 fc																																																																																						
	20.0'	5 fc		59.4'	0 fc																																																																																						
RCR 2					RCR 4																																																																																						
Room Size	Fixture Grid	FC*	W/ Sq.Ft.	DIR*	Room Size	Fixture Grid	FC*	W/ Sq.Ft.	DIR*																																																																																		
28'x28' 9' tall	8'x7' ^A	59	0.85	70	14'x14' 9' tall	6'x7'	82	1.51	55																																																																																		
43'x43' 12' tall	10'x10'	45	0.64	70	21'x21' 12' tall	10'x10'	37	0.67	55																																																																																		
63'x63' 16' tall	12'x12'	33	0.47	70	31'x31' 16' tall	10'x12'	38	0.69	55																																																																																		
0° 2062	0° - 30° 1605 27%	0° - 40° 2626 45%	0° - 60° 4636 79%	0° - 80° 5757 98%	0° - 90° 5851 100%	Total 5875 100%																																																																																					
5° 2053	5° 2053	15° 1976	25° 1836	35° 1626	45° 1365	55° 1067	90° 8																																																																																				
CP at 0° (Nadir): 2062			Lumen Multiplier: 05L x 0.22, 11L x 0.47, 20L x 0.82		CCT Multiplier: 30K x 0.97, 40K x 1.02																																																																																						
	CRI: 80																																																																																										

SLO3IND4 25L 35HK DW xx xx MW

CANDLEPOWER CURVE TEST SP-01369_3	INTENSITY CANDELA 0° AZIMUTH	ZONAL LUMENS	SINGLE UNIT: PERFORMANCE HORIZONTAL FOOTCANDLES INITIAL DOWNLIGHT ONLY	MULTIPLE UNITS: PERFORMANCE 80/50/20% REFLECTANCES HORIZONTAL FOOTCANDLES AND WATTS/SQ FT																																																																																							
<p>Delivered Lumens: 5190 Luminaire Watts: 76 LER: 68.29</p>	0°	0° - 10° 176 3%	<table border="1"> <thead> <tr> <th>Mounting Distance</th> <th>FC at Beam Center</th> <th>Diameter at Beam Angle</th> <th>FC at Beam Edge</th> </tr> </thead> <tbody> <tr><td>6.5'</td><td>43 fc</td><td>19.3'</td><td>4 fc</td></tr> <tr><td>7.5'</td><td>32 fc</td><td>22.3'</td><td>3 fc</td></tr> <tr><td>8.5'</td><td>25 fc</td><td>25.2'</td><td>2 fc</td></tr> <tr><td>10.0'</td><td>18 fc</td><td>29.7'</td><td>2 fc</td></tr> <tr><td>12.0'</td><td>13 fc</td><td>35.6'</td><td>1 fc</td></tr> <tr><td>14.0'</td><td>9 fc</td><td>41.6'</td><td>1 fc</td></tr> <tr><td>16.0'</td><td>7 fc</td><td>47.5'</td><td>1 fc</td></tr> <tr><td>20.0'</td><td>5 fc</td><td>59.4'</td><td>0 fc</td></tr> </tbody> </table> <p>Beam Angle: 112° x 111° Spacing Ratio: 1.25 x 1.30</p>	Mounting Distance	FC at Beam Center	Diameter at Beam Angle	FC at Beam Edge	6.5'	43 fc	19.3'	4 fc	7.5'	32 fc	22.3'	3 fc	8.5'	25 fc	25.2'	2 fc	10.0'	18 fc	29.7'	2 fc	12.0'	13 fc	35.6'	1 fc	14.0'	9 fc	41.6'	1 fc	16.0'	7 fc	47.5'	1 fc	20.0'	5 fc	59.4'	0 fc	0° - 20° 671 13%	<table border="1"> <thead> <tr> <th colspan="5">RCR 2</th> <th colspan="5">RCR 4</th> </tr> <tr> <th>Room Size</th> <th>Fixture Grid</th> <th>FC*</th> <th>W/ Sq.Ft.</th> <th>DIR*</th> <th>Room Size</th> <th>Fixture Grid</th> <th>FC*</th> <th>W/ Sq.Ft.</th> <th>DIR*</th> </tr> </thead> <tbody> <tr> <td>28'x28' 9' tall</td> <td>8'x7'</td> <td>53</td> <td>0.87</td> <td>60</td> <td>14'x14' 9' tall</td> <td>6'x7'</td> <td>73</td> <td>1.55</td> <td>47</td> </tr> <tr> <td>43'x43' 12' tall</td> <td>10'x10'</td> <td>40</td> <td>0.66</td> <td>60</td> <td>21'x21' 12' tall</td> <td>10'x10'</td> <td>32</td> <td>0.69</td> <td>47</td> </tr> <tr> <td>63'x63' 16' tall</td> <td>12'x12'</td> <td>29</td> <td>0.48</td> <td>60</td> <td>31'x31' 16' tall</td> <td>10'x12'</td> <td>33</td> <td>0.71</td> <td>47</td> </tr> </tbody> </table> <p>1' Suspension Length to luminous aperture * Average Initial Footcandles at 2.5' Above Floor * Delivered Illuminance Rating in FC per W/Sq.Ft.</p>	RCR 2					RCR 4					Room Size	Fixture Grid	FC*	W/ Sq.Ft.	DIR*	Room Size	Fixture Grid	FC*	W/ Sq.Ft.	DIR*	28'x28' 9' tall	8'x7'	53	0.87	60	14'x14' 9' tall	6'x7'	73	1.55	47	43'x43' 12' tall	10'x10'	40	0.66	60	21'x21' 12' tall	10'x10'	32	0.69	47	63'x63' 16' tall	12'x12'	29	0.48	60	31'x31' 16' tall	10'x12'	33	0.71	47
	Mounting Distance	FC at Beam Center		Diameter at Beam Angle	FC at Beam Edge																																																																																						
	6.5'	43 fc		19.3'	4 fc																																																																																						
	7.5'	32 fc		22.3'	3 fc																																																																																						
	8.5'	25 fc		25.2'	2 fc																																																																																						
	10.0'	18 fc		29.7'	2 fc																																																																																						
	12.0'	13 fc		35.6'	1 fc																																																																																						
	14.0'	9 fc		41.6'	1 fc																																																																																						
	16.0'	7 fc		47.5'	1 fc																																																																																						
	20.0'	5 fc		59.4'	0 fc																																																																																						
RCR 2					RCR 4																																																																																						
Room Size	Fixture Grid	FC*	W/ Sq.Ft.	DIR*	Room Size	Fixture Grid	FC*	W/ Sq.Ft.	DIR*																																																																																		
28'x28' 9' tall	8'x7'	53	0.87	60	14'x14' 9' tall	6'x7'	73	1.55	47																																																																																		
43'x43' 12' tall	10'x10'	40	0.66	60	21'x21' 12' tall	10'x10'	32	0.69	47																																																																																		
63'x63' 16' tall	12'x12'	29	0.48	60	31'x31' 16' tall	10'x12'	33	0.71	47																																																																																		
0° 1827	0° - 30° 1422 27%	0° - 40° 2327 45%	0° - 60° 4107 79%	0° - 80° 5093 98%	0° - 90° 5172 100%	Total 5190 100%																																																																																					
5° 1815	5° 1815	15° 1765	25° 1624	35° 1444	45° 1214	55° 943	90° 7																																																																																				
CP at 0° (Nadir): 1827			Lumen Multiplier: 05L x 0.21, 11L x 0.46, 20L x 0.81		CCT Multiplier: 27HK x 0.95, 30HK x 0.98, 40HK x 1.01																																																																																						
	CRI: 90																																																																																										

HOW TO USE PERFORMANCE DATA

SINGLE UNIT	MULTIPLE UNITS															
<p>Beam Angle</p>	<p>Grid layout of multiple luminaires in unfurnished, square rooms of different proportions (Room Cavity Ratios) with 80/50/20% room surface reflectances. 1' Suspension Length to aperture. Initial average illumination (FC) calculated at 2.5' above floor, using Zonal Cavity Method. W/Sq. Ft. of layout shown for each ceiling height and RCR.</p> <p>Delivered Illuminance Rating (DIR)*: System performance indicator expressed as ratio of approximate initial FC per W/Sq. Ft. delivered to horizontal plane below, for the range of ceiling heights indicated.</p> <ul style="list-style-type: none"> To estimate FC for Fixture Spacing that is different than shown (do not exceed Spacing Ratio): FC = (Fixture Grid area) / (Different Grid area) x Chart FC To estimate Sq. Ft. per fixture for a specific target FC: Sq. Ft. / Fixture = Chart FC x (Fixture Grid area) / Target FC 															
	<p>Sample layout as calculated above:</p> <table border="1"> <thead> <tr> <th colspan="5">RCR 2</th> </tr> <tr> <th>Room Size</th> <th>Fixture Grid</th> <th>FC*</th> <th>W/ Sq.Ft.</th> <th>DIR*</th> </tr> </thead> <tbody> <tr> <td>43'x43' 12' tall</td> <td>10'x10'</td> <td>45</td> <td>0.64</td> <td>70</td> </tr> </tbody> </table> <ul style="list-style-type: none"> To estimate Fixture Quantity in a room: Fixture Qty. = Sq. Ft. of Rm. / Sq. Ft. per fixture To estimate Watts/Sq. Ft.: W/ Sq. Ft. = Fixture Qty. x Luminaire Watts / Sq. Ft. of Rm. 	RCR 2					Room Size	Fixture Grid	FC*	W/ Sq.Ft.	DIR*	43'x43' 12' tall	10'x10'	45	0.64	70
RCR 2																
Room Size	Fixture Grid	FC*	W/ Sq.Ft.	DIR*												
43'x43' 12' tall	10'x10'	45	0.64	70												



SLO3IND8 25L 35K DW xx xx MW

CANDLEPOWER CURVE TEST SP-01434_3	INTENSITY CANDELA 0° AZIMUTH	ZONAL LUMENS	SINGLE UNIT: PERFORMANCE HORIZONTAL FOOTCANDLES INITIAL DOWNLIGHT ONLY				MULTIPLE UNITS: PERFORMANCE 80/50/20% REFLECTANCES HORIZONTAL FOOTCANDLES AND WATTS/SQ FT												
			Mounting Distance	FC at Beam Center	Diameter at Beam Angle	FC at Beam Edge	RCR 2				RCR 4								
		0° - 10°	396	3%	Room Size	Fixture Grid	FC*	W/ Sq.Ft.	DIR*	Room Size	Fixture Grid	FC*	W/ Sq.Ft.	DIR*					
<p>Delivered Lumens: 11751 Luminaire Watts: 148 LER: 79.40</p>	0°	4125	0° - 20°	1514	13%	6.5'	98 fc	19.3'	9 fc	28'x28' 9' tall	12'x7' ^A	79	1.13	70	14'x14' 9' tall	0'x7'	82	1.51	55
	5°	4105	0° - 30°	3209	27%	7.5'	73 fc	22.3'	6 fc	43'x43' 12' tall	12'x11' ^B	50	0.72	70	21'x21' 12' tall	8'x11'	73	1.34	55
	15°	3953	0° - 40°	5252	45%	8.5'	57 fc	25.2'	5 fc	63'x63' 16' tall	14'x15'	42	0.60	70	31'x31' 16' tall	12'x15'	34	0.62	55
	25°	3672	0° - 60°	9271	79%	10.0'	41 fc	29.7'	4 fc	1' Suspension Length to luminous aperture * Average Initial Footcandles at 2.5' Above Floor * Delivered Illuminance Rating in FC per W/Sq.Ft. ^A Exceeds Spacing Ratio by 2% ^B Exceeds Spacing Ratio by 4%									
	35°	3252	0° - 80°	11513	98%	12.0'	29 fc	35.6'	2 fc										
	45°	2730	0° - 90°	11701	100%	14.0'	21 fc	41.6'	2 fc										
	55°	2134	Total	11751	100%	16.0'	16 fc	47.5'	1 fc										
	90°	16	Total	11751	100%	20.0'	10 fc	59.4'	1 fc										
	CP at 0° (Nadir):		4125	Beam Angle: 112° x 112° Spacing Ratio: 1.25 x 1.25				Lumen Multiplier: 05L x 0.22, 11L x 0.47, 20L x 0.82 CCT Multiplier: 30K x 0.97, 40K x 1.02											

SLO3IND8 25L 35HK DW xx xx MW

CANDLEPOWER CURVE TEST SP-01372_3	INTENSITY CANDELA 0° AZIMUTH	ZONAL LUMENS	SINGLE UNIT: PERFORMANCE HORIZONTAL FOOTCANDLES INITIAL DOWNLIGHT ONLY				MULTIPLE UNITS: PERFORMANCE 80/50/20% REFLECTANCES HORIZONTAL FOOTCANDLES AND WATTS/SQ FT												
			Mounting Distance	FC at Beam Center	Diameter at Beam Angle	FC at Beam Edge	RCR 2				RCR 4								
		0°	0° - 10°	351	3%	Room Size	Fixture Grid	FC*	W/ Sq.Ft.	DIR*	Room Size	Fixture Grid	FC*	W/ Sq.Ft.	DIR*				
<p>Delivered Lumens: 10380 Luminaire Watts: 152 LER: 68.29</p>	0°	3653	0° - 20°	1343	13%	6.5'	86 fc	19.3'	8 fc	28'x28' 9' tall	12'x7'	70	1.16	60	14'x14' 9' tall	0'x7'	73	1.55	47
	5°	3631	0° - 30°	2844	27%	7.5'	65 fc	22.3'	6 fc	43'x43' 12' tall	12'x11'	45	0.74	60	21'x21' 12' tall	8'x11'	65	1.38	47
	15°	3530	0° - 40°	4654	45%	8.5'	51 fc	25.2'	4 fc	63'x63' 16' tall	14'x15'	37	0.61	60	31'x31' 16' tall	12'x15'	30	0.63	47
	25°	3248	0° - 60°	8214	79%	10.0'	37 fc	29.7'	3 fc	1' Suspension Length to luminous aperture * Average Initial Footcandles at 2.5' Above Floor * Delivered Illuminance Rating in FC per W/Sq.Ft.									
	35°	2889	0° - 80°	10186	98%	12.0'	25 fc	35.6'	2 fc										
	45°	2428	0° - 90°	10344	100%	14.0'	19 fc	41.6'	2 fc										
	55°	1887	Total	10380	100%	16.0'	14 fc	47.5'	1 fc										
	90°	13	Total	10380	100%	20.0'	9 fc	59.4'	1 fc										
	CP at 0° (Nadir):		3653	Beam Angle: 112° x 111° Spacing Ratio: 1.25 x 1.30				Lumen Multiplier: 05L x 0.21, 11L x 0.46, 20L x 0.81 CCT Multiplier: 27HK x 0.95, 30HK x 0.98, 40HK x 1.01											

HOW TO USE PERFORMANCE DATA

SINGLE UNIT	MULTIPLE UNITS															
<p>Beam Angle</p>	<p>Grid layout of multiple luminaires in unfurnished, square rooms of different proportions (Room Cavity Ratios) with 80/50/20% room surface reflectances. 1' Suspension Length to aperture. Initial average illumination (FC) calculated at 2.5' above floor, using Zonal Cavity Method. W/Sq. Ft. of layout shown for each ceiling height and RCR.</p> <p>Delivered Illuminance Rating (DIR)*: System performance indicator expressed as ratio of approximate initial FC per W/Sq. Ft. delivered to horizontal plane below, for the range of ceiling heights indicated.</p> <ul style="list-style-type: none"> To estimate FC for Fixture Spacing that is different than shown (do not exceed Spacing Ratio): FC = (Fixture Grid area) / (Different Grid area) x Chart FC To estimate Sq. Ft. per fixture for a specific target FC: Sq. Ft. / Fixture = Chart FC x (Fixture Grid area) / Target FC 															
	<p>Sample layout as calculated above:</p> <table border="1"> <thead> <tr> <th colspan="5">RCR 2</th> </tr> <tr> <th>Room Size</th> <th>Fixture Grid</th> <th>FC*</th> <th>W/ Sq.Ft.</th> <th>DIR*</th> </tr> </thead> <tbody> <tr> <td>63'x63' 16' tall</td> <td>14'x15'</td> <td>42</td> <td>0.60</td> <td>70</td> </tr> </tbody> </table> <ul style="list-style-type: none"> To estimate Fixture Quantity in a room: Fixture Qty. = Sq. Ft. of Rm. / Sq. Ft. per fixture To estimate Watts/Sq. Ft.: W/ Sq. Ft. = Fixture Qty. x Luminaire Watts / Sq. Ft. of Rm. 	RCR 2					Room Size	Fixture Grid	FC*	W/ Sq.Ft.	DIR*	63'x63' 16' tall	14'x15'	42	0.60	70
RCR 2																
Room Size	Fixture Grid	FC*	W/ Sq.Ft.	DIR*												
63'x63' 16' tall	14'x15'	42	0.60	70												



SLO3IND2 25L 35K LW xx xx MW

CANDLEPOWER CURVE TEST SP-01430_3	INTENSITY CANDELA 0° AZIMUTH	ZONAL LUMENS	SINGLE UNIT: PERFORMANCE HORIZONTAL FOOTCANDLES INITIAL DOWNLIGHT ONLY				MULTIPLE UNITS: PERFORMANCE 80/50/20% REFLECTANCES HORIZONTAL FOOTCANDLES AND WATTS/SQ FT										
			Mounting Distance	FC at Beam Center	Width at Beam Angle	FC at Beam Edge	RCR 3					RCR 5					
	0° 90° 180° 270°	0° - 10° 85 3%					Room Size	Fixture Grid	FC*	W/ Sq.Ft.	DIR*	Room Size	Fixture Grid	FC*	W/ Sq.Ft.	DIR*	
	0°	865 865 865 865	0° - 20° 352 10%	6.5'	20 fc	22.0'	1 fc	18'x18' 9' tall	6'x10'	49	0.69	71	11'x11' 9' tall	6'x8'	68	1.22	56
	5°	889 854 889 854	0° - 30° 818 24%	7.5'	15 fc	25.4'	1 fc	28'x28' 12' tall	8'x12'	40	0.57	71	17'x17' 12' tall	6'x10'	43	0.77	56
	15°	1057 819 1057 819	0° - 40° 1436 42%	8.5'	12 fc	28.8'	1 fc	42'x42' 16' tall	12'x16'	18	0.25	71	25'x25' 16' tall	10'x12'	30	0.53	56
	25°	1254 752 1254 752	0° - 60° 2708 80%	10.0'	9 fc	33.8'	1 fc	1' Suspension Length to luminous aperture									
	35°	1259 661 1259 661	0° - 80° 3356 99%	12.0'	6 fc	40.6'	0 fc	* Average Initial Footcandles at 2.5' Above Floor									
	45°	1106 553 1106 553	0° - 90° 3399 100%	14.0'	4 fc	47.4'	0 fc	* Delivered Illuminance Rating in FC per W/Sq.Ft.									
	55°	795 428 795 428	Total 3399 100%	16.0'	3 fc	54.1'	0 fc										
	90°	4 3 4 3		20.0'	2 fc	67.7'	0 fc										

Delivered Lumens: **3399**
Luminaire Watts: **37**
LER: **91.86**

CP at 0° (Nadir): **865**
CR: **80**

Beam Angle: **119° x 74°**
Spacing Ratio: **1.90 x 1.21**

Lumen Multiplier: **05L x 0.22, 11L x 0.47, 20L x 0.82**
CCT Multiplier: **30K x 0.97, 40K x 1.02**

SLO3IND2 25L 35HK LW xx xx MW

CANDLEPOWER CURVE TEST SP-01322_4	INTENSITY CANDELA 0° AZIMUTH	ZONAL LUMENS	SINGLE UNIT: PERFORMANCE HORIZONTAL FOOTCANDLES INITIAL DOWNLIGHT ONLY				MULTIPLE UNITS: PERFORMANCE 80/50/20% REFLECTANCES HORIZONTAL FOOTCANDLES AND WATTS/SQ FT										
			Mounting Distance	FC at Beam Center	Diameter at Beam Angle	FC at Beam Edge	RCR 3					RCR 5					
	0° 90° 180° 270°	0° - 10° 78 3%					Room Size	Fixture Grid	FC*	W/ Sq.Ft.	DIR*	Room Size	Fixture Grid	FC*	W/ Sq.Ft.	DIR*	
	0°	790 790 790 790	0° - 20° 319 11%	6.5'	19 fc	21.6'	1 fc	18'x18' 9' tall	6'x10'	43	0.70	62	11'x11' 9' tall	6'x8'	61	1.26	48
	5°	791 786 832 782	0° - 30° 735 24%	7.5'	14 fc	25.0'	1 fc	28'x28' 12' tall	8'x12'	36	0.58	62	17'x17' 12' tall	6'x10'	38	0.79	48
	15°	892 749 1000 753	0° - 40° 1286 42%	8.5'	11 fc	28.3'	1 fc	42'x42' 16' tall	12'x16'	16	0.26	62	25'x25' 16' tall	10'x12'	26	0.55	48
	25°	1070 687 1148 690	0° - 60° 2417 80%	10.0'	8 fc	33.3'	0 fc	1' Suspension Length to luminous aperture									
	35°	1138 605 1116 605	0° - 80° 2992 99%	12.0'	5 fc	39.9'	0 fc	* Average Initial Footcandles at 2.5' Above Floor									
	45°	1027 505 922 506	0° - 90° 3029 100%	14.0'	4 fc	46.6'	0 fc	* Delivered Illuminance Rating in FC per W/Sq.Ft.									
	55°	762 391 627 390	Total 3029 100%	16.0'	3 fc	53.2'	0 fc										
	90°	3 3 2 2		20.0'	2 fc	66.5'	0 fc										

Delivered Lumens: **3029**
Luminaire Watts: **38**
LER: **79.71**

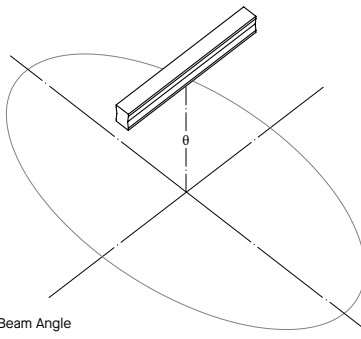
CP at 0° (Nadir): **790**
CR: **90**

Beam Angle: **118° x 76°**
Spacing Ratio: **1.91 x 1.21**
Melanopic Ratio: **0.62**

Lumen Multiplier: **05L x 0.22, 11L x 0.46, 20L x 0.81**
CCT Multiplier: **27HK x 0.95, 30HK x 0.98, 40HK x 1.01**

HOW TO USE PERFORMANCE DATA

SINGLE UNIT | MULTIPLE UNITS



Grid layout of multiple luminaires in unfurnished, square rooms of different proportions (Room Cavity Ratios) with 80/50/20% room surface reflectances. 1' Suspension Length to aperture. Initial average illumination (FC) calculated at 2.5' above floor, using Zonal Cavity Method. W/Sq. Ft. of layout shown for each ceiling height and RCR.

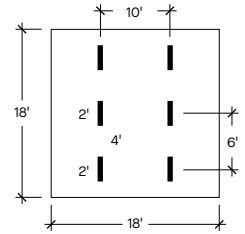
Delivered Illuminance Rating (DIR*):
System performance indicator expressed as ratio of approximate initial FC per W/Sq. Ft. delivered to horizontal plane below, for the range of ceiling heights indicated.

- To estimate FC for Fixture Spacing that is different than shown (do not exceed Spacing Ratio):
FC = (Fixture Grid area) / (Different Grid area) x Chart FC

- To estimate Sq. Ft. per fixture for a specific target FC:
Sq. Ft. / Fixture = Chart FC x (Fixture Grid area) / Target FC

Sample layout as calculated above:

RCR 3				
Room Size	Fixture Grid	FC*	W/ Sq.Ft.	DIR*
18'x18' 9' tall	6'x10'	49	0.69	71



- To estimate Fixture Quantity in a room:
Fixture Qty. = Sq. Ft. of Rm. / Sq. Ft. per fixture

- To estimate Watts/Sq. Ft.:
W/ Sq. Ft. = Fixture Qty. x Luminaire Watts / Sq. Ft. of Rm.

SLO3IND4 25L 35K LW xx xx MW

CANDLEPOWER CURVE TEST SP-01433_3	INTENSITY CANDELA 0° AZIMUTH	ZONAL LUMENS	SINGLE UNIT: PERFORMANCE HORIZONTAL FOOTCANDLES INITIAL DOWNLIGHT ONLY				MULTIPLE UNITS: PERFORMANCE 80/50/20% REFLECTANCES HORIZONTAL FOOTCANDLES AND WATTS/SQ FT										
			Mounting Distance	FC at Beam Center	Width at Beam Angle	FC at Beam Edge	RCR 2				RCR 4						
	0° 90° 180° 270°	0° - 10° 171 3%				Room Size	Fixture Grid	FC*	W/ Sq.Ft.	DIR*	Room Size	Fixture Grid	FC*	W/ Sq.Ft.	DIR*		
	0°	1730 1730 1730 1730	0° - 20° 704 10%	6.5'	41 fc	22.0'	3 fc	28'x28' 9' tall	8'x10'	46	0.57	81	14'x14' 9' tall	6'x8'	94	1.51	62
	5°	1778 1708 1778 1708	0° - 30° 1635 24%	7.5'	31 fc	25.4'	2 fc	43'x43' 12' tall	10'x14'	39	0.48	81	21'x21' 12' tall	10'x12'	42	0.67	62
	15°	2114 1637 2114 1637	0° - 40° 2871 42%	8.5'	24 fc	28.8'	2 fc	63'x63' 16' tall	12'x16'	30	0.37	81	31'x31' 16' tall	10'x16'	29	0.46	62
	25°	2507 1504 2507 1504	0° - 60° 5415 80%	10.0'	17 fc	33.8'	1 fc	1' Suspension Length to luminous aperture * Average Initial Footcandles at 2.5' Above Floor * Delivered Illuminance Rating in FC per W/Sq.Ft.									
	35°	2519 1323 2519 1323	0° - 80° 6711 99%	12.0'	12 fc	40.6'	1 fc										
	45°	2212 1105 2212 1105	0° - 90° 6798 100%	14.0'	9 fc	47.4'	1 fc										
	55°	1590 855 1590 855	Total 6798 100%	16.0'	7 fc	54.1'	0 fc										
	90°	7 6 7 6	Total 6798 100%	20.0'	4 fc	67.7'	0 fc										

Delivered Lumens: **6798**
Luminaire Watts: **74**
LER: **91.86**

CRI: **80**

Beam Angle: **119° x 74°**
Spacing Ratio: **1.90 x 1.21**

Lumen Multiplier: **05L x 0.22, 11L x 0.47, 20L x 0.82**
CCT Multiplier: **30K x 0.97, 40K x 1.02**

SLO3IND4 25L 35HK LW xx xx MW

CANDLEPOWER CURVE TEST SP-01371_3	INTENSITY CANDELA 0° AZIMUTH	ZONAL LUMENS	SINGLE UNIT: PERFORMANCE HORIZONTAL FOOTCANDLES INITIAL DOWNLIGHT ONLY				MULTIPLE UNITS: PERFORMANCE 80/50/20% REFLECTANCES HORIZONTAL FOOTCANDLES AND WATTS/SQ FT										
			Mounting Distance	FC at Beam Center	Width at Beam Angle	FC at Beam Edge	RCR 2				RCR 4						
	0° 90° 180° 270°	0° - 10° 156 3%				Room Size	Fixture Grid	FC*	W/ Sq.Ft.	DIR*	Room Size	Fixture Grid	FC*	W/ Sq.Ft.	DIR*		
	0°	1580 1580 1580 1580	0° - 20° 638 11%	6.5'	37 fc	21.6'	2 fc	28'x28' 9' tall	8'x10'	41	0.58	70	14'x14' 9' tall	6'x8'	84	1.55	54
	5°	1582 1571 1664 1565	0° - 30° 1469 24%	7.5'	28 fc	25.0'	2 fc	43'x43' 12' tall	10'x14'	35	0.49	70	21'x21' 12' tall	10'x12'	37	0.69	54
	15°	1784 1498 1999 1506	0° - 40° 2573 42%	8.5'	22 fc	28.3'	1 fc	63'x63' 16' tall	12'x16'	27	0.38	70	31'x31' 16' tall	10'x16'	26	0.47	54
	25°	2141 1373 2296 1379	0° - 60° 4834 80%	10.0'	16 fc	33.3'	1 fc	1' Suspension Length to luminous aperture * Average Initial Footcandles at 2.5' Above Floor * Delivered Illuminance Rating in FC per W/Sq.Ft.									
	35°	2276 1209 2231 1210	0° - 80° 5984 99%	12.0'	11 fc	39.9'	1 fc										
	45°	2055 1010 1844 1011	0° - 90° 6058 100%	14.0'	8 fc	46.6'	0 fc										
	55°	1523 781 1255 781	Total 6058 100%	16.0'	6 fc	53.2'	0 fc										
	90°	6 6 5 5	Total 6058 100%	20.0'	4 fc	66.5'	0 fc										

Delivered Lumens: **6058**
Luminaire Watts: **76**
LER: **79.71**

CP at 0° (Nadir): **1580**
CRI: **90**

Beam Angle: **118° x 76°**
Spacing Ratio: **1.91 x 1.21**

Lumen Multiplier: **05L x 0.22, 11L x 0.46, 20L x 0.81**
CCT Multiplier: **27HK x 0.95, 30HK x 0.98, 40HK x 1.01**

HOW TO USE PERFORMANCE DATA

SINGLE UNIT

Beam Angle

MULTIPLE UNITS

Grid layout of multiple luminaires in unfurnished, square rooms of different proportions (Room Cavity Ratios) with 80/50/20% room surface reflectances. 1' Suspension Length to aperture. Initial average illumination (FC) calculated at 2.5' above floor, using Zonal Cavity Method. W/Sq. Ft. of layout shown for each ceiling height and RCR.

Delivered Illuminance Rating (DIR*):
System performance indicator expressed as ratio of approximate initial FC per W/Sq. Ft. delivered to horizontal plane below, for the range of ceiling heights indicated.

- To estimate FC for Fixture Spacing that is different than shown (do not exceed Spacing Ratio):
FC = (Fixture Grid area) / (Different Grid area) x Chart FC
- To estimate Sq. Ft. per fixture for a specific target FC:
Sq. Ft. / Fixture = Chart FC x (Fixture Grid area) / Target FC

Sample layout as calculated above:

RCR 2				
Room Size	Fixture Grid	FC*	W/ Sq.Ft.	DIR*
43'x43' 12' tall	10'x14'	39	0.48	81

- To estimate Fixture Quantity in a room:
Fixture Qty. = Sq. Ft. of Rm. / Sq. Ft. per fixture
- To estimate Watts/Sq. Ft.:
W/ Sq. Ft. = Fixture Qty. x Luminaire Watts / Sq. Ft. of Rm.

SLO3IND8 25L 35K LW xx xx MW

CANDLEPOWER CURVE TEST SP-01436_3	INTENSITY CANDELA 0° AZIMUTH	ZONAL LUMENS	SINGLE UNIT: PERFORMANCE HORIZONTAL FOOTCANDLES INITIAL DOWNLIGHT ONLY				MULTIPLE UNITS: PERFORMANCE 80/50/20% REFLECTANCES HORIZONTAL FOOTCANDLES AND WATTS/SQ FT											
			0° - 10°	341	3%	Mounting Distance	FC at Beam Center	Width at Beam Angle	FC at Beam Edge	RCR 2				RCR 4				
	0° 90° 180° 270°								Room Size	Fixture Grid	FC*	W/ Sq.Ft.	DIR*	Room Size	Fixture Grid	FC*	W/ Sq.Ft.	DIR*
	0° 3459 3459 3459 3459	0° - 10° 341 3%	6.5'	82 fc	22.0'	5 fc	28'x28' 9' tall	12'x10'	61	0.76	81	14'x14' 9' tall	0'x8'	94	1.51	62		
	5° 3556 3417 3556 3417	0° - 20° 1409 10%	7.5'	61 fc	25.4'	4 fc	43'x43' 12' tall	12'x14'	58	0.72	81	21'x21' 12' tall	8'x14'	84	1.34	62		
	15° 4227 3275 4227 3275	0° - 30° 3271 24%	8.5'	48 fc	28.8'	3 fc	63'x63' 16' tall	14'x18'	36	0.45	81	31'x31' 16' tall	12'x16'	38	0.62	62		
	25° 5015 3008 5015 3008	0° - 40° 5743 42%	10.0'	35 fc	33.8'	2 fc												
	35° 5037 2645 5037 2645	0° - 60° 10831 80%	12.0'	24 fc	40.6'	2 fc												
	45° 4425 2210 4425 2210	0° - 80° 13422 99%	14.0'	18 fc	47.4'	1 fc												
	55° 3179 1710 3179 1710	0° - 90° 13596 100%	16.0'	14 fc	54.1'	1 fc												
	90° 15 12 15 12	Total 13596 100%	20.0'	9 fc	67.7'	1 fc												

Delivered Lumens: **13596**
Luminaire Watts: **148**
LER: **91.86**

CP at 0° (Nadir): **3459**
CRI: **80**

Beam Angle: **119° x 74°**
Spacing Ratio: **1.90 x 1.21**

Lumen Multiplier: **05L x 0.22, 11L x 0.47, 20L x 0.82**
CCT Multiplier: **30K x 0.97, 40K x 1.02**

SLO3IND8 25L 35HK LW xx xx MW

CANDLEPOWER CURVE TEST SP-01374_3	INTENSITY CANDELA 0° AZIMUTH	ZONAL LUMENS	SINGLE UNIT: PERFORMANCE HORIZONTAL FOOTCANDLES INITIAL DOWNLIGHT ONLY				MULTIPLE UNITS: PERFORMANCE 80/50/20% REFLECTANCES HORIZONTAL FOOTCANDLES AND WATTS/SQ FT											
			0° - 10°	312	3%	Mounting Distance	FC at Beam Center	Width at Beam Angle	FC at Beam Edge	RCR 2				RCR 4				
	0° 90° 180° 270°								Room Size	Fixture Grid	FC*	W/ Sq.Ft.	DIR*	Room Size	Fixture Grid	FC*	W/ Sq.Ft.	DIR*
	0° 3160 3160 3160 3160	0° - 10° 312 3%	6.5'	75 fc	21.6'	4 fc	28'x28' 9' tall	12'x10'	54	0.78	70	14'x14' 9' tall	0'x8'	84	1.55	54		
	5° 3164 3142 3329 3130	0° - 20° 1277 11%	7.5'	56 fc	25.0'	3 fc	43'x43' 12' tall	12'x14'	52	0.74	70	21'x21' 12' tall	8'x14'	75	1.38	54		
	15° 3569 2996 3999 3011	0° - 30° 2938 24%	8.5'	44 fc	28.3'	3 fc	63'x63' 16' tall	14'x18'	32	0.46	70	31'x31' 16' tall	16'x16'	34	0.63	54		
	25° 4281 2746 4593 2758	0° - 40° 5146 42%	10.0'	32 fc	33.3'	2 fc												
	35° 4552 2418 4463 2421	0° - 60° 9668 80%	12.0'	22 fc	39.9'	1 fc												
	45° 4110 2019 3687 2023	0° - 80° 11967 99%	14.0'	16 fc	46.6'	1 fc												
	55° 3047 1563 2510 1562	0° - 90° 12117 100%	16.0'	12 fc	53.2'	1 fc												
	90° 12 11 9 9	Total 12117 100%	20.0'	8 fc	66.5'	0 fc												

Delivered Lumens: **12117**
Luminaire Watts: **152**
LER: **79.72**

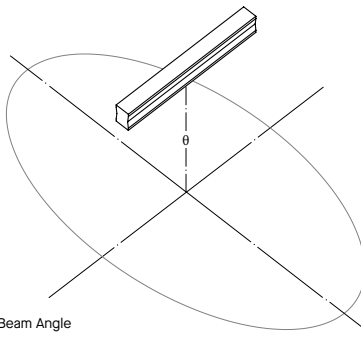
CP at 0° (Nadir): **3160**
CRI: **90**

Beam Angle: **118° x 76°**
Spacing Ratio: **1.91 x 1.21**

Lumen Multiplier: **05L x 0.22, 11L x 0.46, 20L x 0.81**
CCT Multiplier: **27HK x 0.95, 30HK x 0.98, 40HK x 1.01**

HOW TO USE PERFORMANCE DATA

SINGLE UNIT | MULTIPLE UNITS



Grid layout of multiple luminaires in unfurnished, square rooms of different proportions (Room Cavity Ratios) with 80/50/20% room surface reflectances. 1' Suspension Length to aperture. Initial average illumination (FC) calculated at 2.5' above floor, using Zonal Cavity Method. W/Sq. Ft. of layout shown for each ceiling height and RCR.

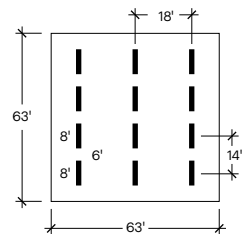
Delivered Illuminance Rating (DIR)*:
System performance indicator expressed as ratio of approximate initial FC per W/Sq. Ft. delivered to horizontal plane below, for the range of ceiling heights indicated.

- To estimate FC for Fixture Spacing that is different than shown (do not exceed Spacing Ratio):
FC = (Fixture Grid area) / (Different Grid area) x Chart FC

- To estimate Sq. Ft. per fixture for a specific target FC:
Sq. Ft. / Fixture = Chart FC x (Fixture Grid area) / Target FC

Sample layout as calculated above:

RCR 2				
Room Size	Fixture Grid	FC*	W/ Sq.Ft.	DIR*
63'x63' 16' tall	14'x18'	36	0.45	81



- To estimate Fixture Quantity in a room:
Fixture Qty. = Sq. Ft. of Rm. / Sq. Ft. per fixture

- To estimate Watts/Sq. Ft.:
W/ Sq. Ft. = Fixture Qty. x Luminaire Watts / Sq. Ft. of Rm.

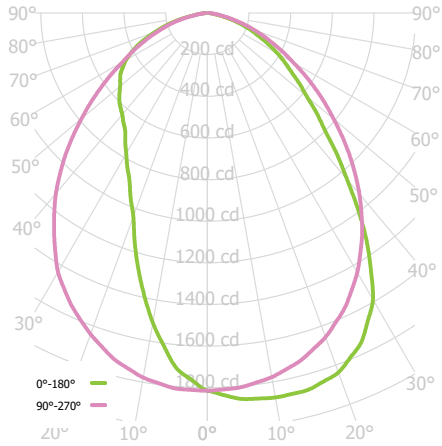
SPECLINE PENDANT

2.3" x 3.3" LINEAR

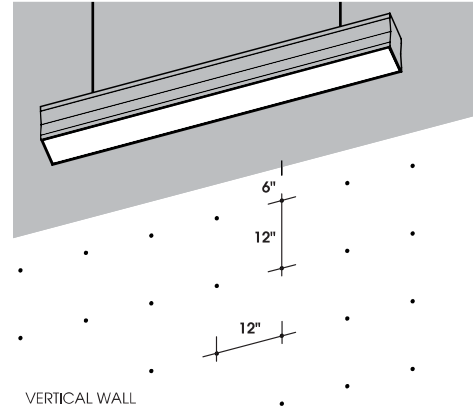


SL03IND2 25L 35K LA xx xx MW

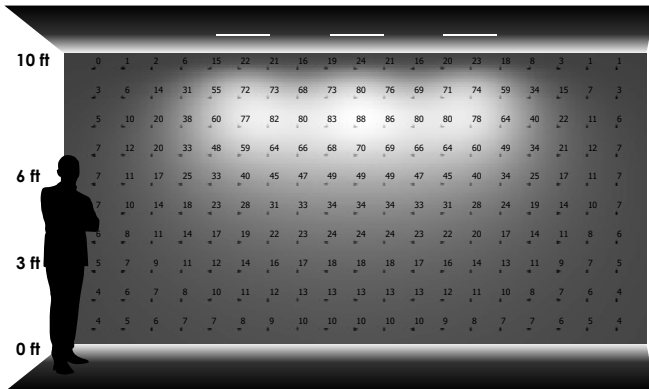
CANDLEPOWER CURVE TEST SP-01429_3	PERFORMANCE SUMMARY	REFERENCE DIAGRAM
--------------------------------------	---------------------	-------------------



Delivered Lumens: 3704
 Luminaire Watts: 37
 LER: 100.11
 CP at 0deg (Nadir): 1814
 CRI: 80
 Lumen Multiplier: 05L x 0.22, 11L x 0.47, 20L x 0.82
 CCT Multiplier: 30K x 0.97, 40K x 1.02



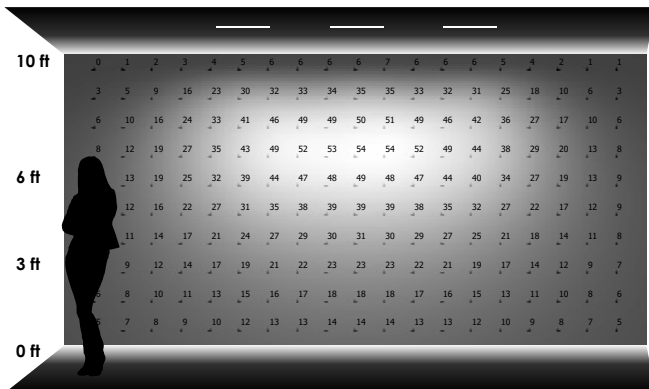
PERFORMANCE DATA - INITIAL ILLUMINATION (FOOTCANDLES) ON WALL - DIRECT LIGHT ONLY



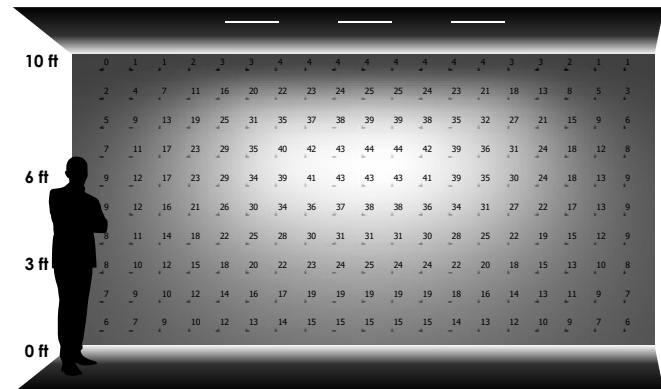
THREE LUMINAIRES
 2'-0" away from wall
 4'-0" on center



THREE LUMINAIRES
 2'-6" away from wall
 4'-0" on center



THREE LUMINAIRES
 3'-0" away from wall
 4'-0" on center



THREE LUMINAIRES
 3'-6" away from wall
 4'-0" on center

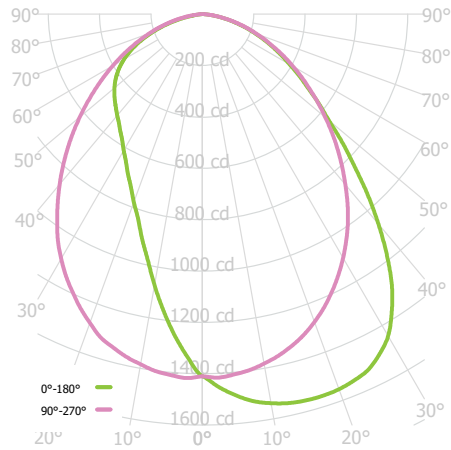
SPECLINE PENDANT

2.3" x 3.3" LINEAR

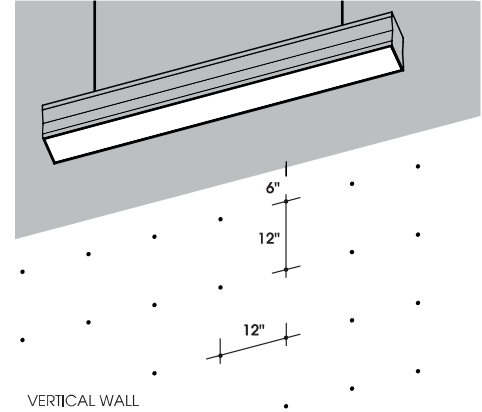


SL03IND2 25L 35HK LA xx xx MW

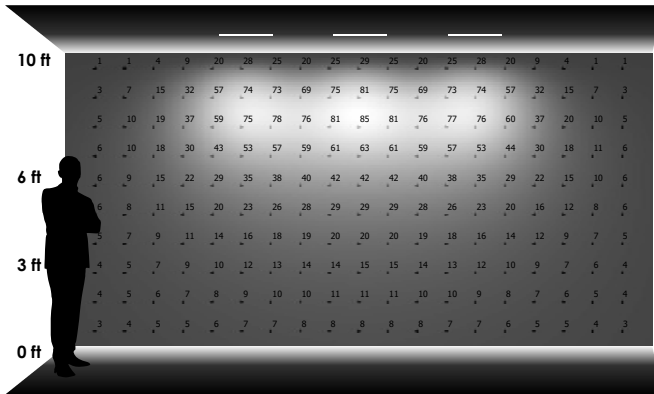
CANDLEPOWER CURVE TEST SP-01322_4	PERFORMANCE SUMMARY	REFERENCE DIAGRAM
--------------------------------------	---------------------	-------------------



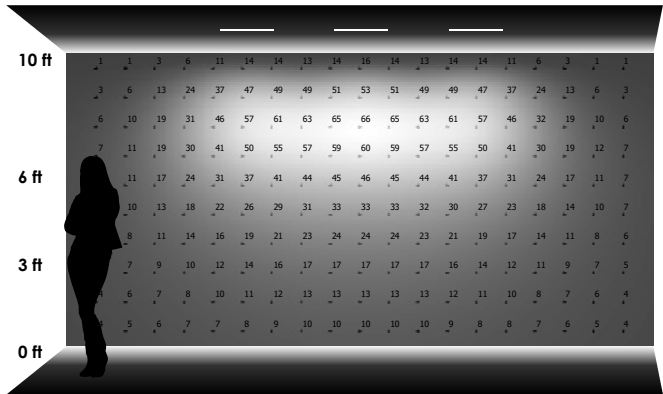
Delivered Lumens: 3141
 Luminaire Watts: 38
 LER: 82.66
 CP at 0deg (Nadir): 1410
 CRI: 90
 Lumen Multiplier: 05L x 0.22, 11L x 0.46, 20L x 0.82
 CCT Multiplier: 27HK x 0.95, 30HK x 0.98, 40HK x 1.01



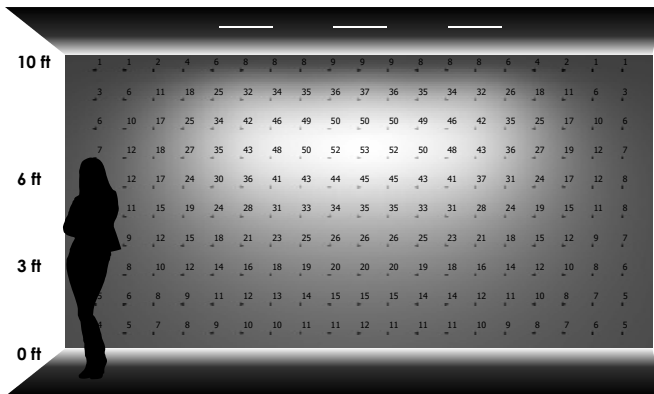
PERFORMANCE DATA - INITIAL ILLUMINATION (FOOTCANDLES) ON WALL - DIRECT LIGHT ONLY



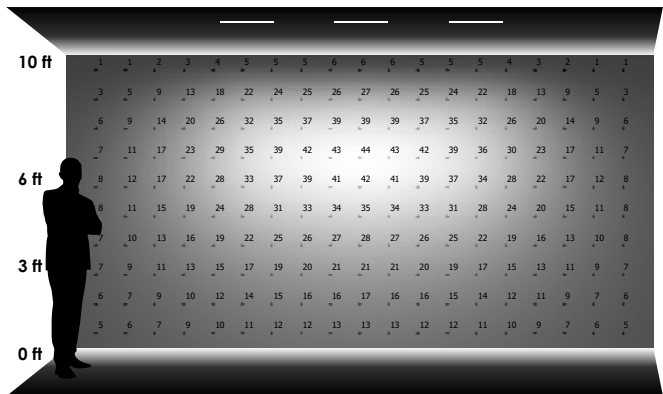
THREE LUMINAIRES
 2'-0" away from wall
 4'-0" on center



THREE LUMINAIRES
 2'-6" away from wall
 4'-0" on center



THREE LUMINAIRES
 3'-0" away from wall
 4'-0" on center



THREE LUMINAIRES
 3'-6" away from wall
 4'-0" on center

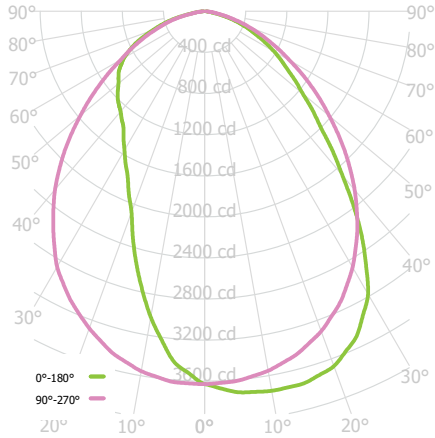
SPECLINE PENDANT

2.3" x 3.3" LINEAR

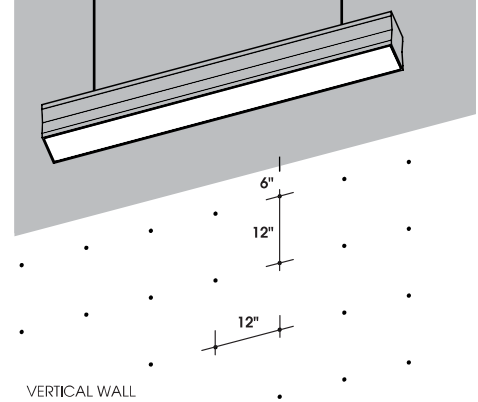


SL03IND4 25L 35K LA xx xx MW

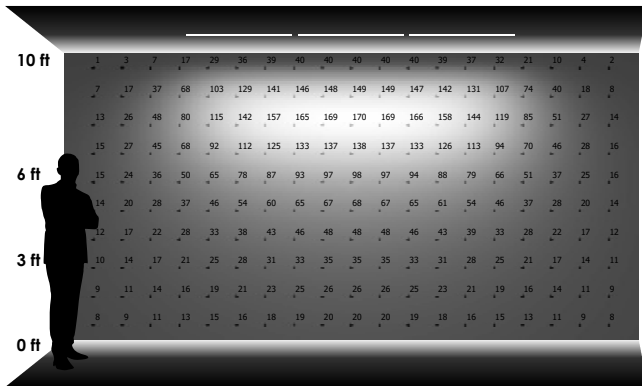
CANDLEPOWER CURVE TEST SP-01432_3	PERFORMANCE SUMMARY	REFERENCE DIAGRAM
--------------------------------------	---------------------	-------------------



Delivered Lumens: 7408
 Luminaire Watts: 74
 LER: 100.11
 CP at 0deg (Nadir): 3629
 CRI: 80
 Lumen Multiplier: 5L x 0.22, 11L x 0.47, 20L x 0.82
 CCT Multiplier: 30K x 0.97, 40K x 1.02



PERFORMANCE DATA - INITIAL ILLUMINATION (FOOTCANDLES) ON WALL - DIRECT LIGHT ONLY



THREE LUMINAIRES
 2'-0" away from wall
 4'-0" on center, 12'-0" row



THREE LUMINAIRES
 3'-0" away from wall
 4'-0" on center, 12'-0" row



THREE LUMINAIRES
 2'-0" away from wall
 6'-0" on center



THREE LUMINAIRES
 3'-0" away from wall
 6'-0" on center

SPECLINE PENDANT

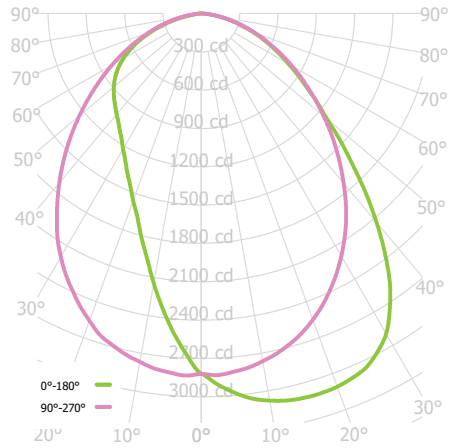
2.3" x 3.3" LINEAR



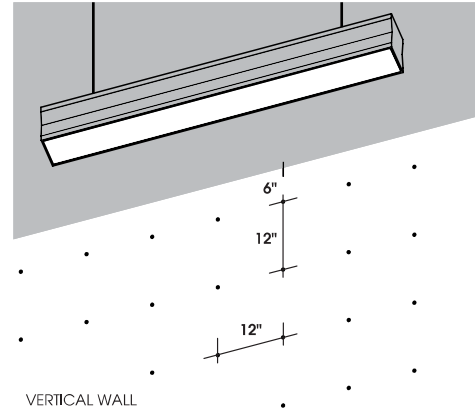
Spectrum Lighting

SL03IND4 25L 35HK LA xx xx MW

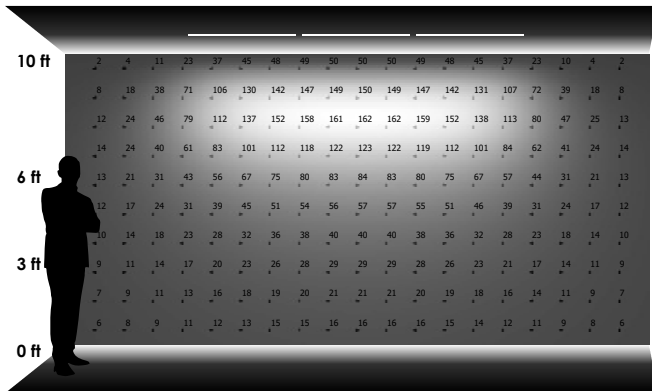
CANDLEPOWER CURVE TEST SP-01370_3	PERFORMANCE SUMMARY	REFERENCE DIAGRAM
--------------------------------------	---------------------	-------------------



Delivered Lumens: 6282
 Luminaire Watts: 76
 LER: 82.66
 CP at 0deg (Nadir): 2820
 CRI: 90
 Lumen Multiplier: 05L x 0.22, 11L x 0.46, 20L x 0.82
 CCT Multiplier: 27HK x 0.95, 30HK x 0.98, 40HK x 1.01



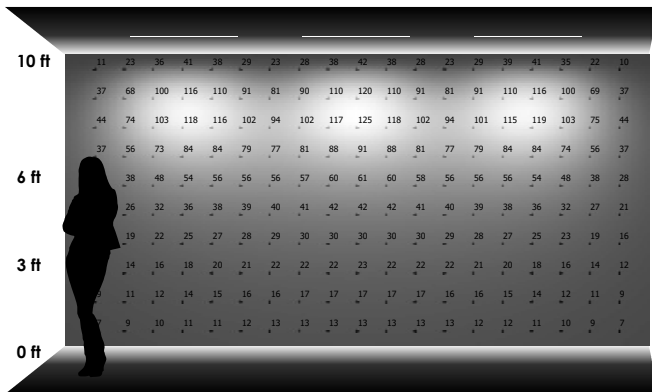
PERFORMANCE DATA - INITIAL ILLUMINATION (FOOTCANDLES) ON WALL - DIRECT LIGHT ONLY



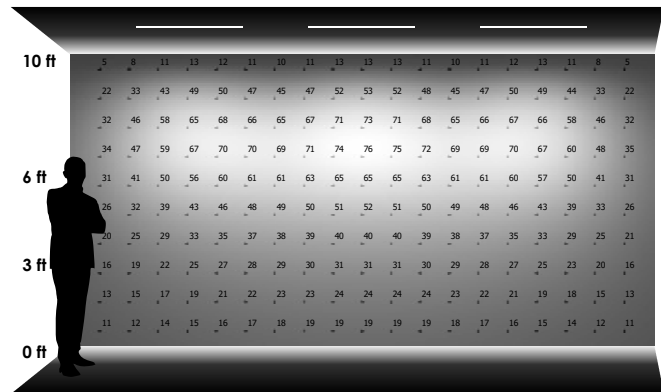
THREE LUMINAIRES
 2'-0" away from wall
 4'-0" on center, 12'-0" row



THREE LUMINAIRES
 3'-0" away from wall
 4'-0" on center, 12'-0" row



THREE LUMINAIRES
 2'-0" away from wall
 6'-0" on center



THREE LUMINAIRES
 3'-0" away from wall
 6'-0" on center

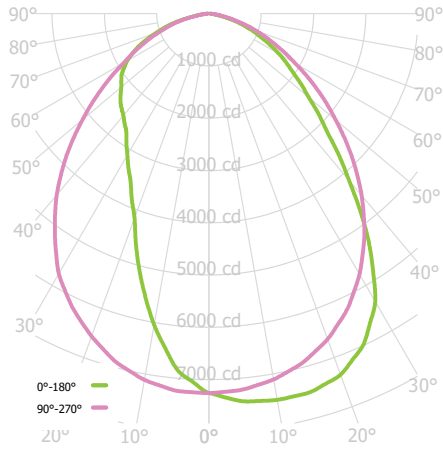
SPECLINE PENDANT

2.3" x 3.3" LINEAR

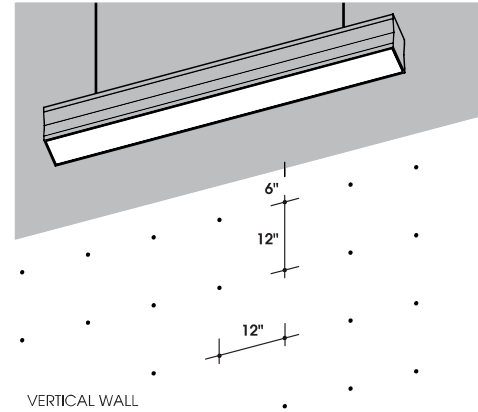


SL03IND8 25L 35K LA xx xx MW

CANDLEPOWER CURVE TEST SP-01435_3	PERFORMANCE SUMMARY	REFERENCE DIAGRAM
--------------------------------------	---------------------	-------------------



Delivered Lumens: 14817
 Luminaire Watts: 148
 LER: 100.11
 CP at 0deg (Nadir): 7257
 CRI: 80
 Lumen Multiplier: 5L x 0.21, 11L x 0.46, 20L x .80
 CCT Multiplier: 30K x 0.97, 40K x 1.02



PERFORMANCE DATA - INITIAL ILLUMINATION (FOOTCANDLES) ON WALL - DIRECT LIGHT ONLY



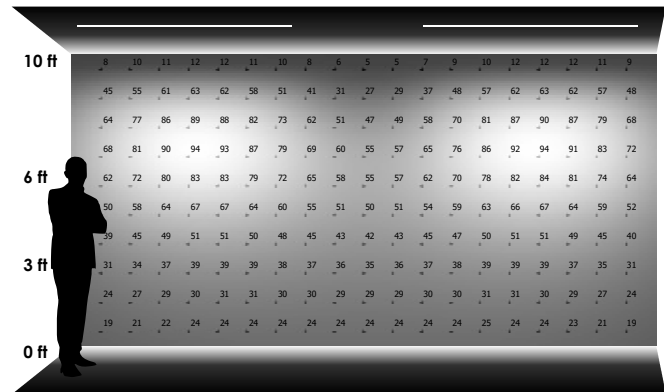
TWO LUMINAIRES
 2'-0" away from wall
 8'-0" on center, 16'-0" row



TWO LUMINAIRES
 3'-0" away from wall
 8'-0" on center, 16'-0" row



TWO LUMINAIRES
 2'-0" away from wall
 10'-0" on center



TWO LUMINAIRES
 3'-0" away from wall
 10'-0" on center

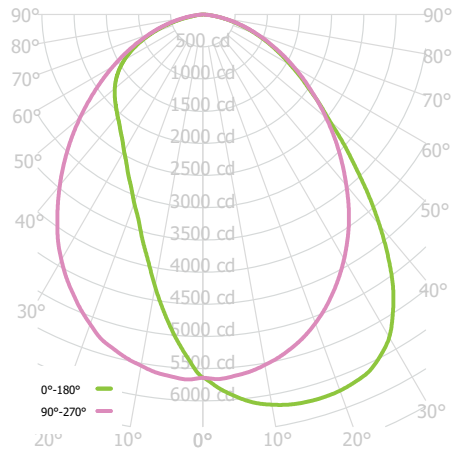
SPECLINE PENDANT

2.3" x 3.3" LINEAR

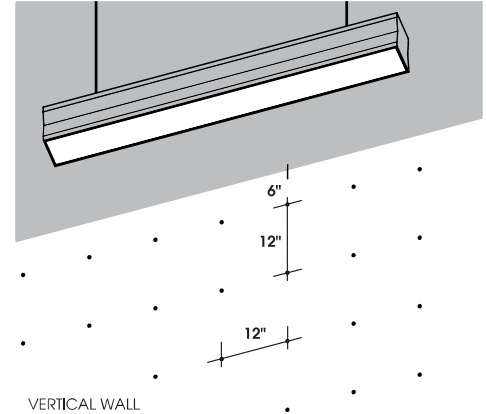


SL03IND8 25L 35HK LA xx xx MW

CANDLEPOWER CURVE TEST SP-01373_3	PERFORMANCE SUMMARY	REFERENCE DIAGRAM
--------------------------------------	---------------------	-------------------



Delivered Lumens: 12564
 Luminaire Watts: 152
 LER: 82.66
 CP at 0deg (Nadir): 5641
 CRI: 90
 Lumen Multiplier: 05L x 0.22, 11L x 0.46, 20L x 0.82
 CCT Multiplier: 27HK x 0.95, 30HK x 0.98, 40HK x 1.01



PERFORMANCE DATA - INITIAL ILLUMINATION (FOOTCANDLES) ON WALL - DIRECT LIGHT ONLY



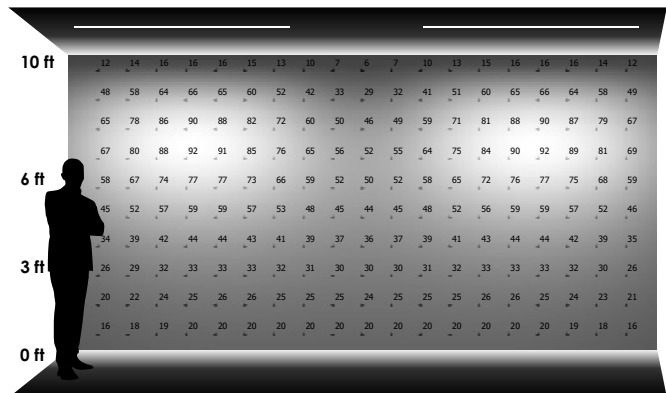
TWO LUMINAIRES
 2'-0" away from wall
 8'-0" on center, 16'-0" row



TWO LUMINAIRES
 3'-0" away from wall
 8'-0" on center, 16'-0" row



TWO LUMINAIRES
 2'-0" away from wall
 10'-0" on center



TWO LUMINAIRES
 3'-0" away from wall
 10'-0" on center