



12" ROUND DIRECT GENERAL ILLUMINATION



C1220GV - CEILING MOUNT

APPLICATION

12" round x 20" high Theatrical Pro Pendant for auditorium and area lighting.

FEATURES

Architectural high performance LED Cylinder luminaire. Designed to illuminate auditoriums, houses of worship and other spaces where LED color quality and control are required. This series offers .01% dim to black as well as DMX, ELV and DALI dimming. Rugged design with flexible mounting, finish and LED options make these extremely versatile fixtures.

FINISH

Multi-stage polyester powder-coat process applied on our dedicated paint lines. See mounting and color pages for standard finishes. All exposed materials are chromate pre-treated to resist corrosion.

ELECTRONICS

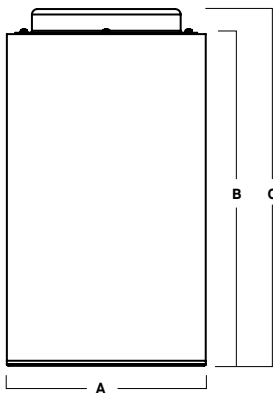
GV LED system features high brightness white Samsung LED's. 3-step MacAdam Ellipse binning. Standard CRI: 85+. Higher CRI, R9 and custom LED configurations are available; consult factory. Variety of electronic 120V/277V and dimming drivers. DMX controls available.

CONSTRUCTION

Fabricated seamless aluminum fixture housing. Specular primary optical reflectors provide high efficiency illumination. Stainless steel hardware with galvanized steel brackets to resist corrosion. One piece reflector trim spun from .063 thick high purity aluminum and finished to specification.

CODE COMPLIANCE

BAA compliant. ETL certified to meet US and Canadian standards. Suitable for dry or damp locations. Wet Location Option. Manufactured and tested to UL standards No. 1598/8750.



A	B	C
11.7 297.2 mm	20.1 510.5 mm	21.6 548.6 mm

LUMENS / WATTAGE DATA				
PART NUMBER	SOURCE LUMENS ¹	DELIVERED LUMENS ²	SYSTEM WATTS	LPW
C1220GV15L	1500	1041	10	104
C1220GV27L	2700	1818	18	101
C1220GV37L	3700	2666	26	103
C1220GV55L	5500	3927	39	101

SERIES	LUMENS ¹	CCT	DRIVER / DIMMING ³	OPTIONS ⁷	TRIM	MOUNTING ¹¹	FINISH ¹⁶
C1220GV	15L	1500 Lm	27K 2700K	EX Electronic Driver, 120V/277V	FS Fuse Holder and Fuse WL ⁸ Wet Location	TSG ⁹ Semi Diffuse Low Iridescent Clear TCY Same Color as Cylinder TCC Custom Color	MW ¹⁷ Matte White MB ¹⁷ Matte Black PT ¹⁷ Platinum Silver CC Custom Color
	27L	2700 Lm	30K 3000K	DS10X 10%, 0-10V, 120V/277V			
	37L	3700 Lm	35K 3500K	DO10X 1%, 0-10V, 120V/277V			
	55L	5500 Lm	40K 4000K	DS2W1 ELV / MLV, 120V			
			50K 5000K	DLTE1 ⁴ Lutron 2-Wire Forward Phase (MLV), 120V			
			DL3EX ⁴ 1%, Lutron® EcoSystem® Fade, 120V/277V		LENS	EMERGENCY BATTERY OPTIONS	
			ED01X 0.1%, eldoLED 120V/277V		SO ¹⁰ Micro Prism Solite™ Lens	EMIT ¹⁵ 7W Emergency Battery Test Switch	
			DALIX DALI Control		FG Frosted Glass Lens	EMRM 7W Remote EM	
			DMXS ^{5/6} DMX Standard Configuration				
			DMXC ^{5/6} DMX Non-Standard Custom				

EXAMPLE: C1220GV37L35KEX/TSGSO/HM36/MW

NOTES:

1 Nominal Source Lumens at 35K 2 Nominal Delivered Lumens at 35K with TSG-SO 3 Contact Factory for Additional Options 4 37L Max 5 Contact Factory 6 CQD Required for DMXS/C 7 See Product Options Page For Details 8 Wet Location Unavailable with CD 9 Standard Finish 10 Standard Lens 11 See Mounting Page for Details on Components and Finishes 12 Specify Length in Inches; See Mounting Page for Available Lengths 13 Not for Use in Locations with Wind Exposure 14 EMxxxx Option Requires 2 Cords/Not Available for WL 15 EMIT Up to 37L 16 Reference Color Sheet Located on Product Webpage for Full List of Available Colors 17 Standard Finishes



PROJECT: _____
TYPE: _____



Dimensions and values shown are nominal. Spectrum Lighting continually works to improve products and reserves the right to make changes which may alter the performance or appearance of products.

12" ROUND DIRECT

GENERAL ILLUMINATION / FIXTURE OPTIONS



STANDARD FINISHES

MW
MATTE WHITE



MB
MATTE BLACK

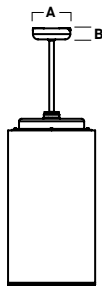


PT
PLATINUM SILVER



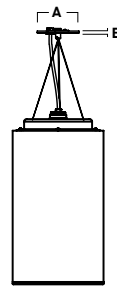
MOUNTING TYPES

HM / PM / AT
HANG STRAIGHT / PENDANT / ALL THREAD



A	B
5.0	1.5
127.0 mm	38.1 mm

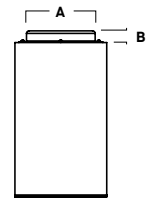
CD3X
3X CORD / CABLE MOUNT



A	B
5.0	.25
127.0 mm	6.4 mm

*Not Available for Wet Location

SM
SURFACE MOUNT



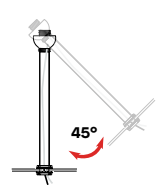
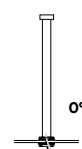
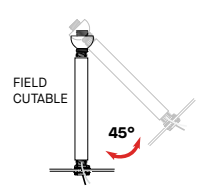
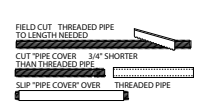
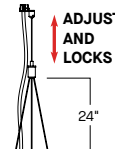
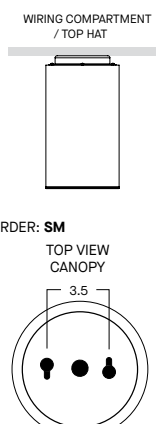
A	B
8.7	1.5
221.0 mm	25.4 mm

STANDARD MOUNTING & ACCESSORIES

SOME OPTIONS NOT AVAILABLE ON ALL FIXTURES, CONSULT SPECIFICATION SHEETS. SEE INDIVIDUAL SPECIFICATION SHEETS OR CONSULT FACTORY FOR ADDITIONAL INFORMATION. NOTE: THIS IS TYPICAL OF CYLINDERS SPECIFICATION FOR PENDANT MOUNTING. INDIVIDUAL FIXTURES OR PROJECTS MAY HAVE SPECIALIZED REQUIREMENTS.



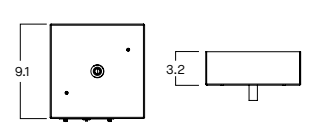
MOUNTING TYPES

<p>HM* HANG STRAIGHT 45° SWIVEL 5/8" OD STEM - 3/8" IP</p>  <p>ORDER: HM (Length) SPECIFY LENGTH: HM3 - 3" HM24 - 24" HM6 - 6" HM36 - 36" HM12 - 12" HM48 - 48" HM18 - 18" HM72 - 72" HMLC(XX) Custom Length (Specify in Inches)</p>	<p>PM* RIGID PENDANT MOUNT RIGID 5/8" OD STEM - 3/8" IP</p>  <p>ORDER: PM (Length) SPECIFY LENGTH: PM3 - 3" PM24 - 24" PM6 - 6" PM36 - 36" PM12 - 12" PM48 - 48" PM18 - 18" PM72 - 72" PMLC(XX) Custom Length (Specify in Inches)</p>	<p>AT** HANG STRAIGHT ALL THREAD 45° SWIVEL 5/8" OD STEM - 1/4" IP</p>  <p>ORDER: AT (Length) SPECIFY LENGTH: AT12 - 12" AT24 - 24" AT36 - 36"</p> 	<p>CD3X CORD / CABLE MOUNT SJ CORD WITH 1/16 SS CABLE</p>  <p>ORDER: CDX3 (Length) SPECIFY LENGTH: CD3x36 - 36" CD3x72 - 72" CD3x144 - 144" CDLC3X(XX) Custom Length (Specify in Inches)</p>	<p>SM SURFACE MOUNT WIRING COMPARTMENT / TOP HAT</p>  <p>ORDER: SM TOP VIEW CANOPY 3.5 KEY SLOTS MOUNT CANOPY TO WALL JUNCTION BOX. JUNCTION BOX IS COVERED.</p>
--	---	--	---	---

*MAXIMUM ONE PIECE STEM LENGTH IS 72". **MAXIMUM ONE PIECE STEM LENGTH IS 36". LONGER LENGTHS ARE POSSIBLE USING MULTIPLE STEMS AND COUPLERS.

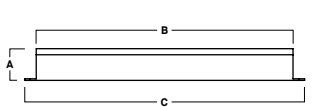
DMX OPTION

CQD - LARGE DRIVER CANOPY FOR DMX OPTIONS



REMOTE EMERGENCY BATTERY OPTIONS

EMRM* - 7W REMOTE EMERGENCY BATTERY (50' MAX)



A	B	C
1.3	12.6	13.0

*OTHER EM BATTERY SIZES AVAILABLE, CONSULT FACTORY

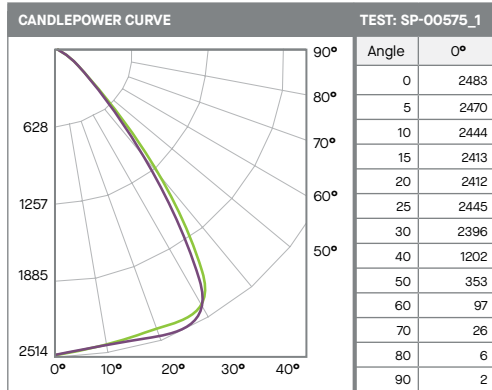
12" ROUND DIRECT

GENERAL ILLUMINATION / PHOTOMETRIC DATA



C12xxGV-55L35K-EX-TSG-SO

55L - 85 CRI



ZONAL LUMENS

0-10	236	6%
0-20	931	24%
0-30	2071	53%
0-40	3190	81%
0-60	3853	98%
0-80	3923	100%
0-90	3927	100%
Total Lumens	3927	100%

SINGLE UNIT: PERFORMANCE
INITIAL FOOTCANDLES AND BEAM ANGLE DIAMETERS

Mounting Height*	FC at Center	Diameter of Beam**	FC at Beam**
5.5'	82	7.7'	28
6.5'	59	9.1'	20
7.5'	44	10.5'	15
8.5'	34	11.9'	12
10.0'	25	14.0'	8
12.0'	17	16.8'	6
14.0'	13	19.6'	4
16.0'	10	22.4'	3

* From aperture to horizontal surface below.
** At IESNA defined Beam Angle, to 50% Max. CP.

Green: 0-180
Purple: 45-225

Delivered Lumens: 3927 CP @ 0° (Nadir): 2483
Luminaire Watts: 39 Beam Angle: 70°
LER: 101 CRI: 84

Spacing Ratio: 1.32
Output Multipliers: 15L x 0.27, 27L x 0.49, 37L x 0.67